

COLOUR-CODED PARTS: S03-003-00300 'L' TYPE STEER AS'Y

POD LOWER ASSEMBLY:  
 S08-026-00711 (RED)  
 S08-026-00718 (SPIRIT RED)  
 S08-026-00754 (BLUE)  
 S08-026-00771 (SILVER)

FOOTWELL SHROUD ASS'Y:  
 S08-040-00111 (RED)  
 S08-040-00118 (SPIRIT RED)  
 S08-040-00154 (BLUE)  
 S08-040-00171 (SILVER)

BATTERY SHROUD ASS'Y:  
 S08-040-00211 (RED)  
 S08-040-00218 (SPIRIT RED)  
 S08-040-00254 (BLUE)  
 S08-040-00271 (SILVER)

S05-023-00100 FRONT WHEEL ASS'Y

SEPERATE COMPONENTS AVAILABLE:

FROM THE FOOTWELL SHROUD ASS'Y  
 C26-040-00200: RH RUBBER FOOT MAT  
 C26-040-00100: LH RUBBER FOOT MAT

FROM THE DRIVE ASSEMBLY:  
 C09-040-02300: 500W MOTOR  
 C09-040-01000: TRANSAXLE  
 C09-040-01201: EM BRAKE (C/W MICROSWITCH)  
 L40900600020: CARBON BRUSH  
 L40901300020: CARBON BRUSH CAP

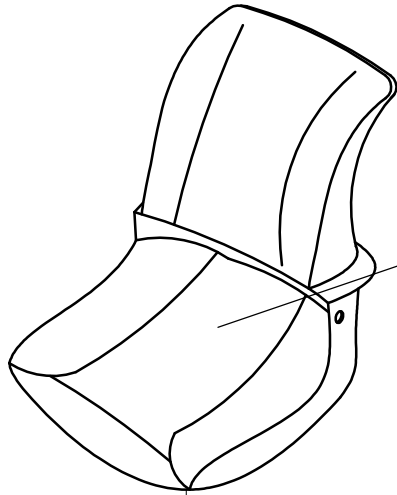
FROM THE FRAME:  
 C28-027-00100: ANTI-TIP WHEEL

FROM THE TILLER POD:  
 S12-009-00800 - THROTTLE POT  
 M41100300000 - BATTERY GAUGE  
 3D37011000000 - KEYS  
 M41610104000 - LIGHTS SWITCH  
 M41610202000 - HORN BUTTON  
 3D18005000000 - IGNITION  
 C16-005-00300 - INDICATOR SWITCH

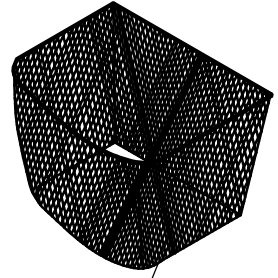
FROM THE FRONT SHROUD ASS'Y:  
 C01-040-00200: BUMPER  
 C13-040-00200: HEADLAMP  
 C15-040-00200: INDICATOR LAMP

FROM THE REAR SHROUD ASS'Y:  
 C16-029-00100: LH REAR LAMP  
 C16-029-00200: RH REAR LAMP

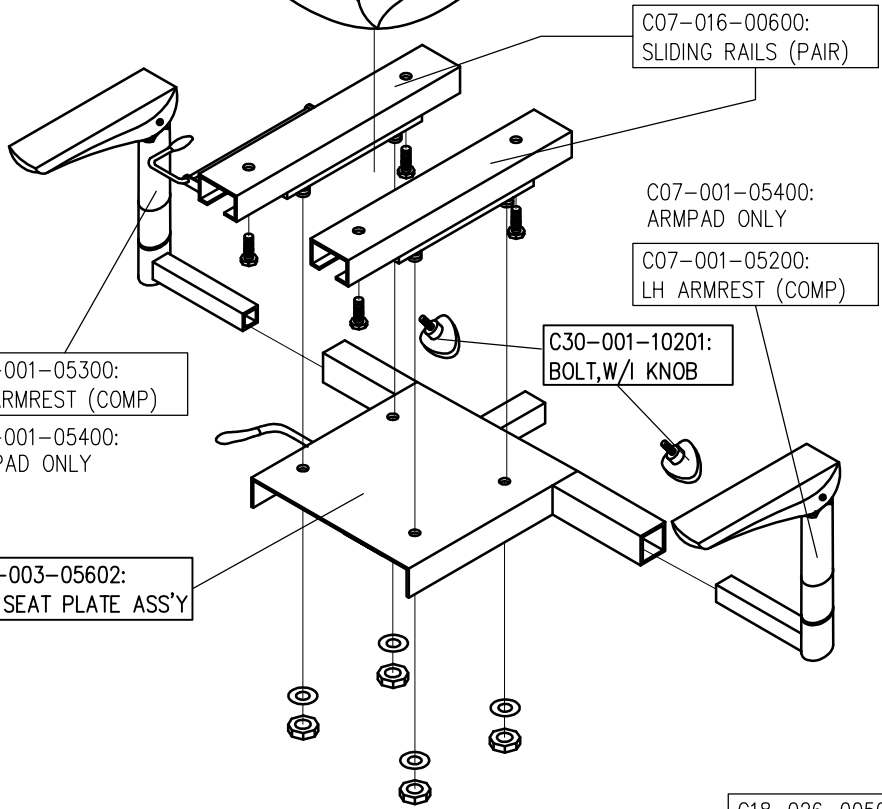
REV No.	DETAILS	DATE	DRAWN
A	NEW PART NUMBER	13-6-13	PMK
B	CHANGE PART NUMBER	31-1-14	PMK



SEATM07:  
SEAT ASSEMBLY



C23-009-00200:  
FRONT BASKET



C07-016-00600:  
SLIDING RAILS (PAIR)

C07-001-05400:  
ARMPAD ONLY

C07-001-05200:  
LH ARMREST (COMP)

C30-001-10201:  
BOLT, W/I KNOB

C07-001-05300:  
RH ARMREST (COMP)

C07-001-05400:  
ARMPAD ONLY

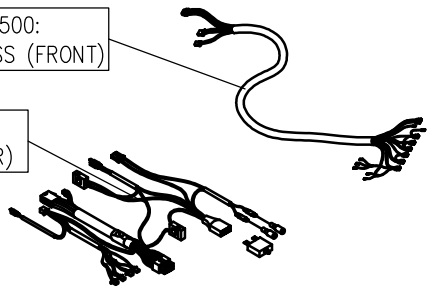
C07-003-05602:  
STD SEAT PLATE ASS'Y

C12-023-00100  
4A CHARGER

NOTE: THE COMPLETE NEO 8 WIRING LOOM IS AVAILABLE (CODE: S18-040-00200)

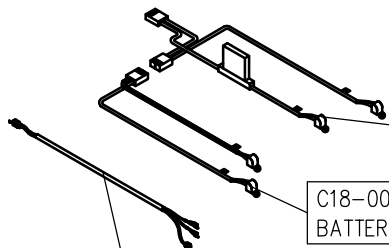
C18-026-00500:  
WIRE HARNESS (FRONT)

C18-040-00401:  
WIRE HARNESS (REAR)



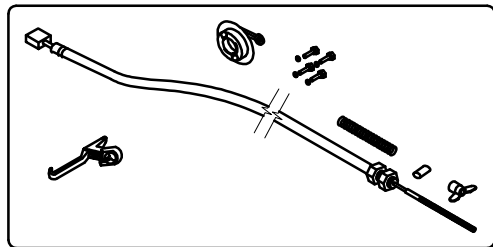
C18-001-10301:  
BATTERY LEAD (+)

C18-001-10401:  
BATTERY LEAD (-)



C18-026-00700:  
REAR LTG LEAD

C16-009-00100  
30A CIRCUIT BREAKER



S35-026-00100:  
CABLE BRAKE ASS'Y



Ainley's Industrial Estate, Elland HX5 9JP  
T: +44 (0) 1422 314488  
E: enquiries@medicaretechnology.com  
W: www.medicaretechnology.com/technical

TITLE:



NEO 8 SCOOTER (MS042)  
PARTS CATALOGUE

DATE:	29/10/07	
DRAWN:	PMK	CHECKED:
SCALE:	NTS	

SHEET No:	2 OF 2	
REVISION No:	-	
DWG No:	Z40941	