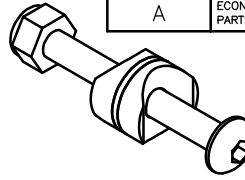


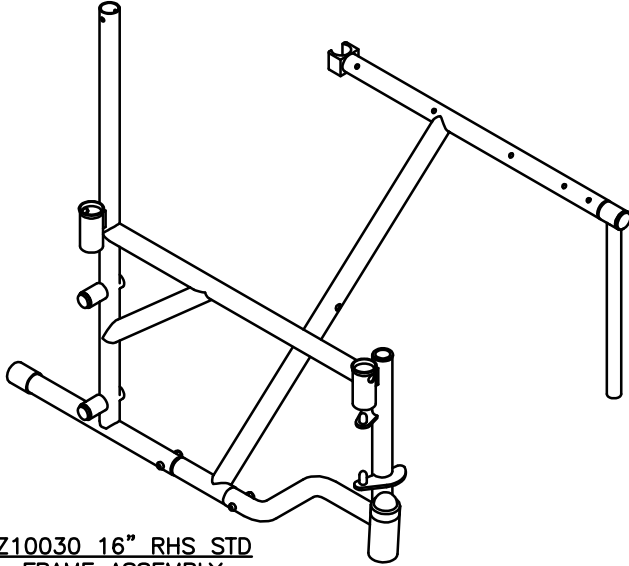
N.B. AXLE BOSSES

AXLE BOSSES ARE THE HOLES WHERE THE REAR WHEEL AXLES INSERT IN TO THE FRAME. THE VAST MAJORITY OF STEEL WHEELCHAIRS HAVE BOSSES WHICH ARE $\phi 12.7\text{mm}$ TO FIT THE QUICK RELEASE PINS. OTHERS (SUCH AS THE STS18FW & SSP18FW) HAVE M12 THREADED BOSSES TO ACCEPT FIXED REAR WHEELS

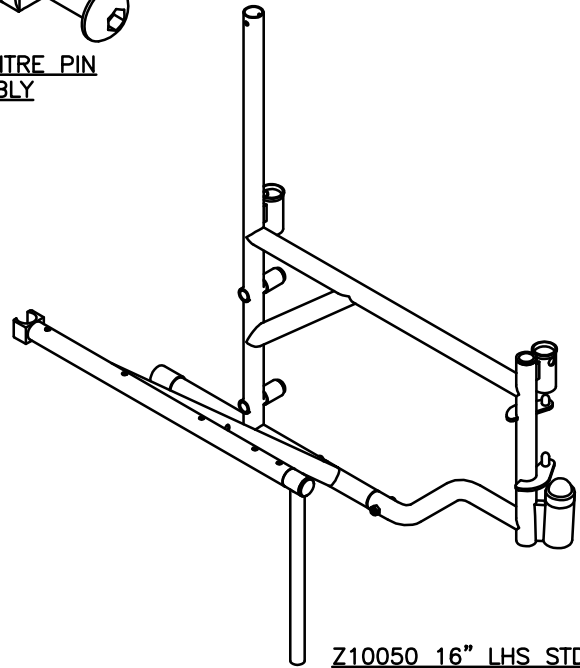
REV No.	DETAILS	DATE	DRAWN
A	ECONOMY CHAIRS UPDATED. SUMMER 04 MODELS ADDED PARTS LISTS AND EXPLANATORY NOTES ADDED	22/11/04	PMK



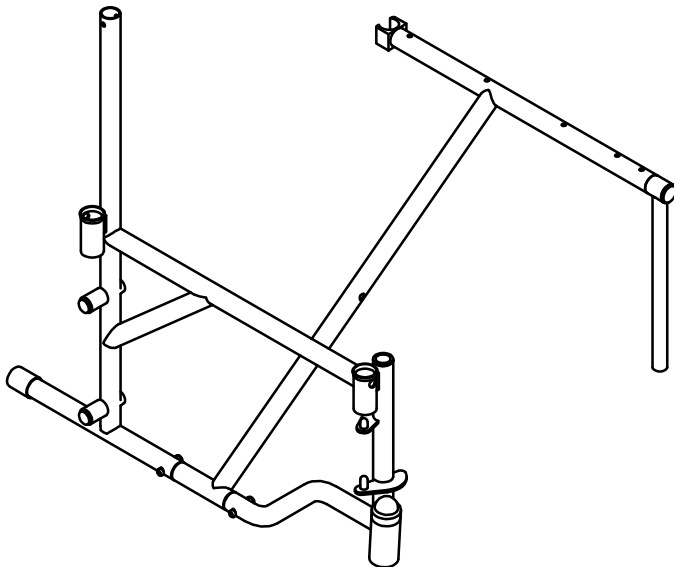
Z10010 CENTRE PIN ASSEMBLY



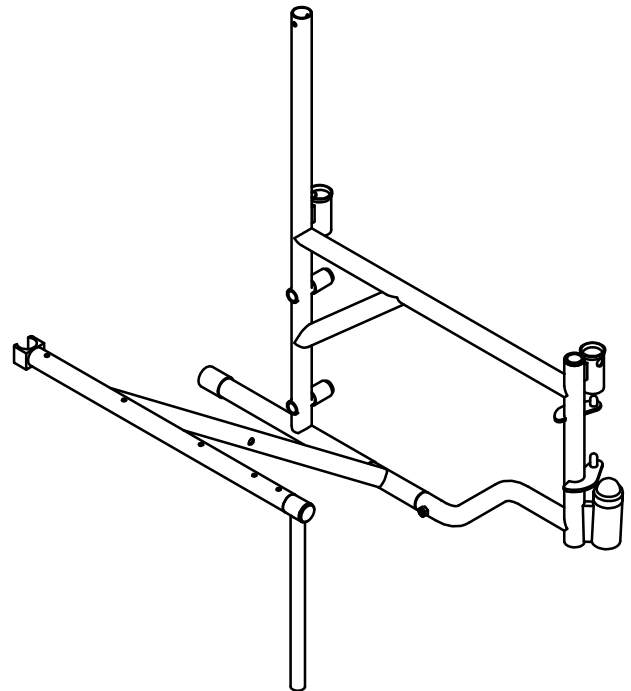
Z10030 16" RHS STD FRAME ASSEMBLY
WITH $\phi 12.7\text{mm}$ DRILL THRU AXLE BOSESS



Z10050 16" LHS STD FRAME ASSEMBLY
WITH $\phi 12.7\text{mm}$ DRILL THRU AXLE BOSSES



18" RHS STD FRAME ASSEMBLY
Z10060-01: WITH M12 THREADED AXLE BOSSES (FOR FIXED WHEELS)
Z10070-01: WITH $\phi 12.7\text{mm}$ DRILL THRU AXLE BOSSES (FOR QUICK RELEASE WHEELS) (FOR SUPERIOR STEEL, STATE COLOUR)



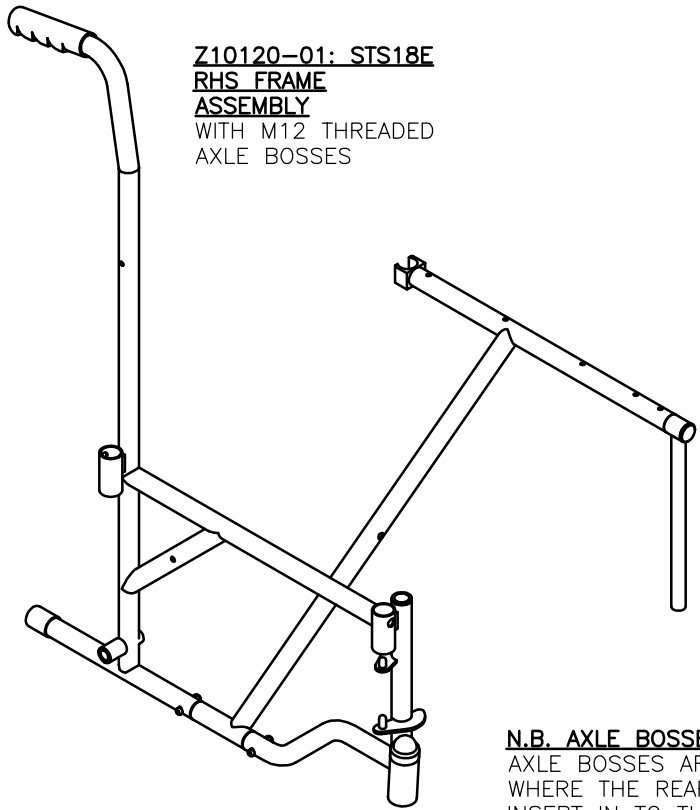
18" LHS STD FRAME ASSEMBLY
Z10080-01: WITH M12 THREADED AXLE BOSSES (FOR FIXED WHEELS)
Z10090-01: WITH $\phi 12.7\text{mm}$ DRILL THRU AXLE BOSSES (FOR QUICK RELEASE WHEELS) (FOR SUPERIOR STEEL, STATE COLOUR)

drive
Ainley's Industrial Estate, Eland HX5 9JP
T: +44 (0) 1422 314488
E: enquiries@drivemedical.co.uk
W: www.drivemedical.co.uk/technical

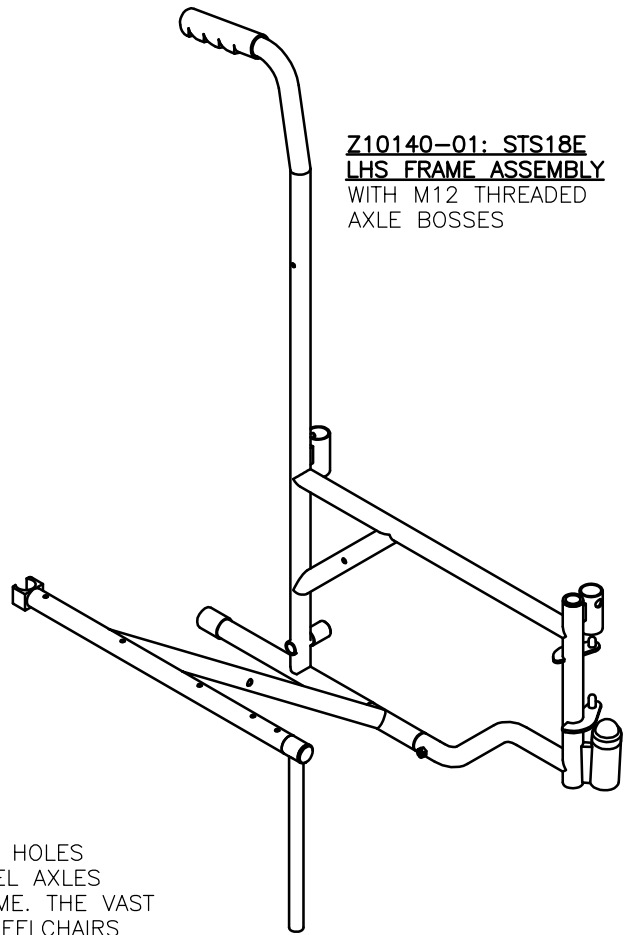
TITLE:
ENIGMA STEEL WHEELCHAIR RANGE PARTS LIST (S/No. STARTING WITH A....)

DATE:	17/09/03	SHEET No:	1 of 12
DRAWN:	PMK	CHECKED:	REVISION No: A
SCALE:	NTS	DWG No:	Z10000

REV No.	DETAILS	DATE	DRAWN
A	ECONOMY CHAIRS UPDATED. SUMMER 04 MODELS ADDED PARTS LISTS AND EXPLANATORY NOTES ADDED	22/11/04	PMK



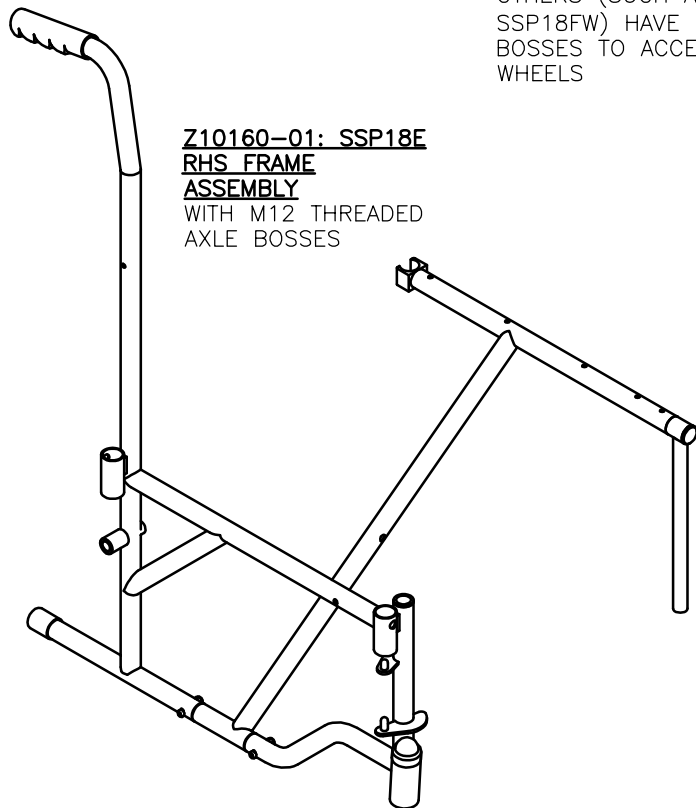
**Z10120-01: STS18E
RHS FRAME
ASSEMBLY**
WITH M12 THREADED
AXLE BOSSES



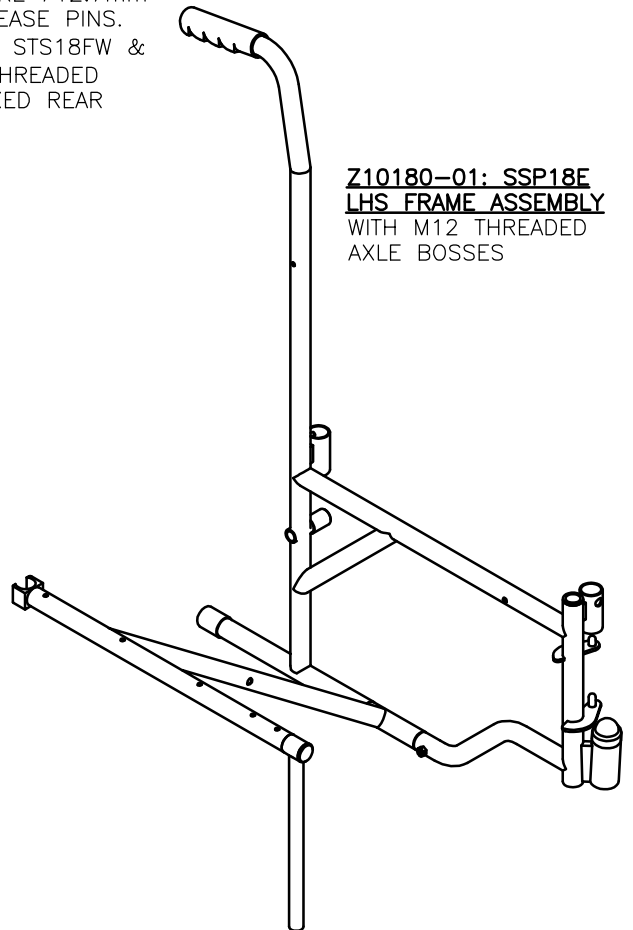
**Z10140-01: STS18E
LHS FRAME ASSEMBLY**
WITH M12 THREADED
AXLE BOSSES

N.B. AXLE BOSSES

AXLE BOSSES ARE THE HOLES WHERE THE REAR WHEEL AXLES INSERT IN TO THE FRAME. THE VAST MAJORITY OF STEEL WHEELCHAIRS HAVE BOSSES WHICH ARE $\phi 12.7\text{mm}$ TO FIT THE QUICK RELEASE PINS. OTHERS (SUCH AS THE STS18FW & SSP18FW) HAVE M12 THREADED BOSSES TO ACCEPT FIXED REAR WHEELS



**Z10160-01: SSP18E
RHS FRAME
ASSEMBLY**
WITH M12 THREADED
AXLE BOSSES



**Z10180-01: SSP18E
LHS FRAME ASSEMBLY**
WITH M12 THREADED
AXLE BOSSES

driveTM

Ainley's Industrial Estate, Elland HX5 9JP
T: +44 (0) 1422 314488
E: enquiries@drivemedical.co.uk
W: www.drivemedical.co.uk/technical

TITLE:

(S/No. STARTING A...)
RANGE PARTS CATALOGUE
ENIGMA STEEL WHEELCHAIR

DATE: 17/09/03

SHEET No: 2 of 12

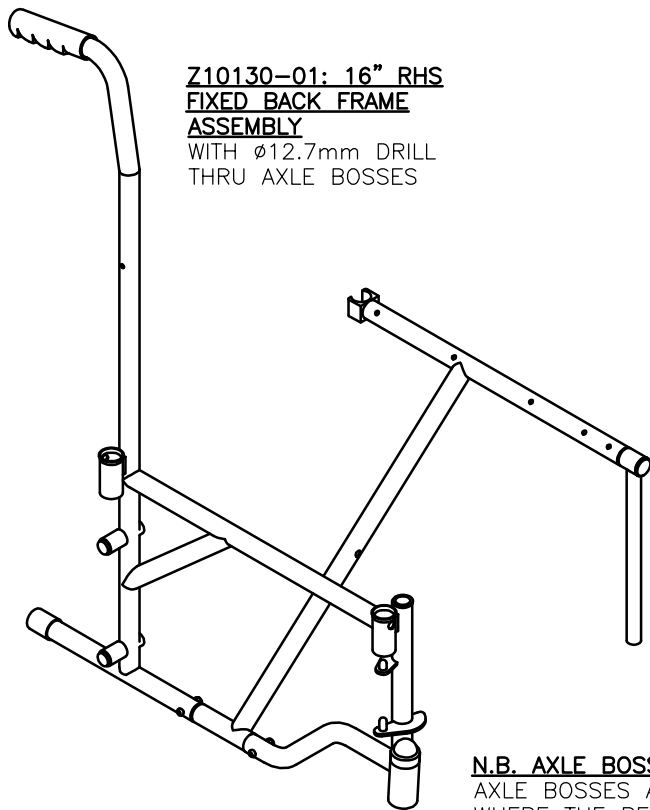
DRAWN: PMK

CHECKED:

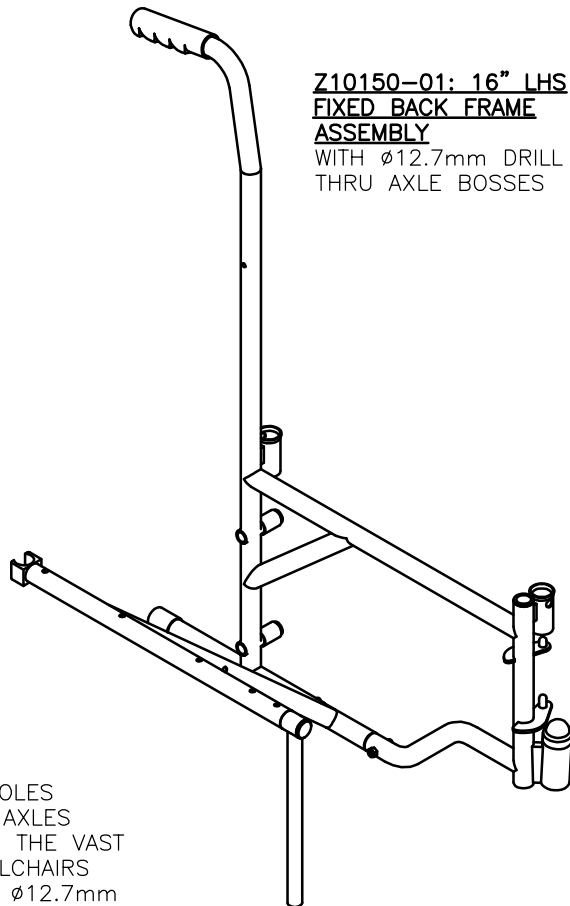
REVISION No: A

SCALE: NTS

DWG No: Z10000



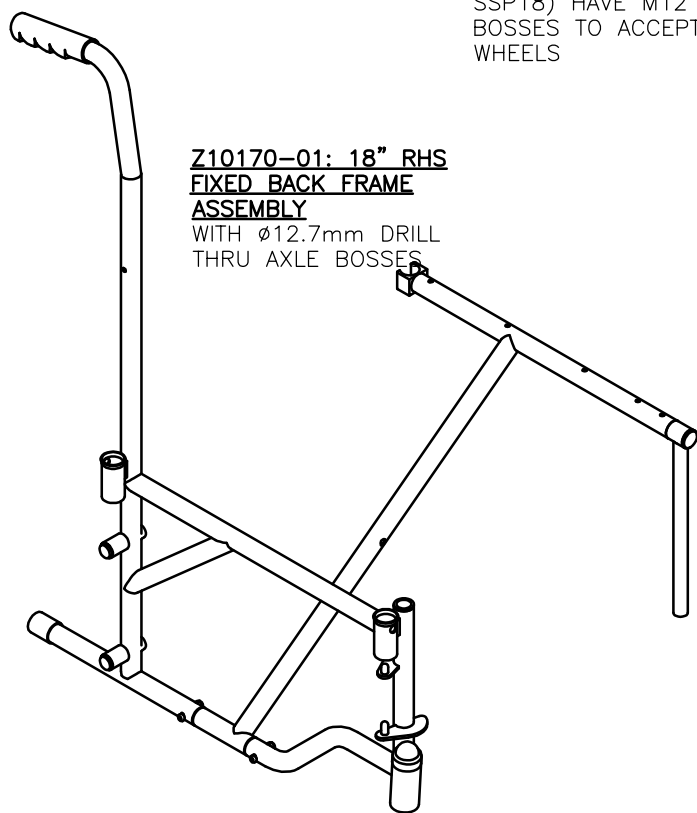
**Z10130-01: 16" RHS
FIXED BACK FRAME
ASSEMBLY**
WITH $\varnothing 12.7\text{mm}$ DRILL
THRU AXLE BOSSES



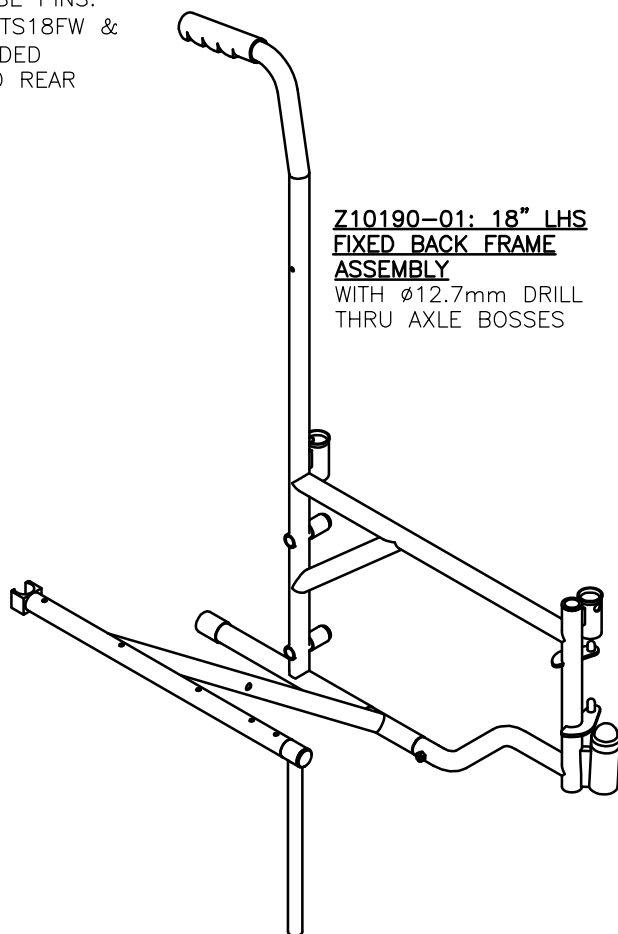
**Z10150-01: 16" LHS
FIXED BACK FRAME
ASSEMBLY**
WITH $\varnothing 12.7\text{mm}$ DRILL
THRU AXLE BOSSES

N.B. AXLE BOSSES

AXLE BOSSES ARE THE HOLES WHERE THE REAR WHEEL AXLES INSERT IN TO THE FRAME. THE VAST MAJORITY OF STEEL WHEELCHAIRS HAVE BOSSES WHICH ARE $\varnothing 12.7\text{mm}$ TO FIT THE QUICK RELEASE PINS. OTHERS (SUCH AS THE STS18FW & SSP18) HAVE M12 THREADED BOSSES TO ACCEPT FIXED REAR WHEELS



**Z10170-01: 18" RHS
FIXED BACK FRAME
ASSEMBLY**
WITH $\varnothing 12.7\text{mm}$ DRILL
THRU AXLE BOSSES



**Z10190-01: 18" LHS
FIXED BACK FRAME
ASSEMBLY**
WITH $\varnothing 12.7\text{mm}$ DRILL
THRU AXLE BOSSES

REV No.	DETAILS	DATE	DRAWN
A	ECONOMY CHAIRS UPDATED. SUMMER 04 MODELS ADDED PARTS LISTS AND EXPLANATORY NOTES ADDED	22/11/04	PMK

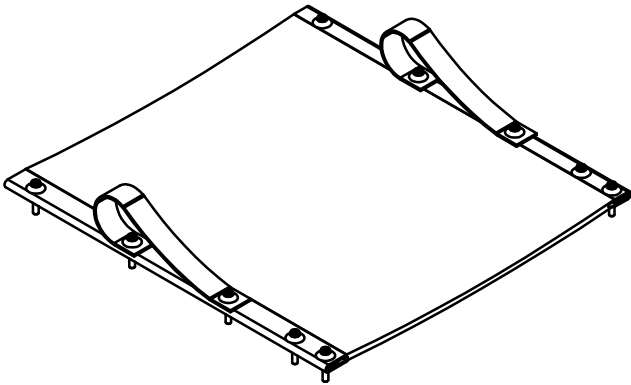
drive
Ainley's Industrial Estate, Eland HX5 9JP
T: +44 (0) 1422 314488
E: enquiries@drivemedical.co.uk
W: www.drivemedical.co.uk/technical

TITLE:
**ENIGMA STEEL WHEELCHAIR
RANGE PARTS MANUAL
(S/No. STARTING A...)**

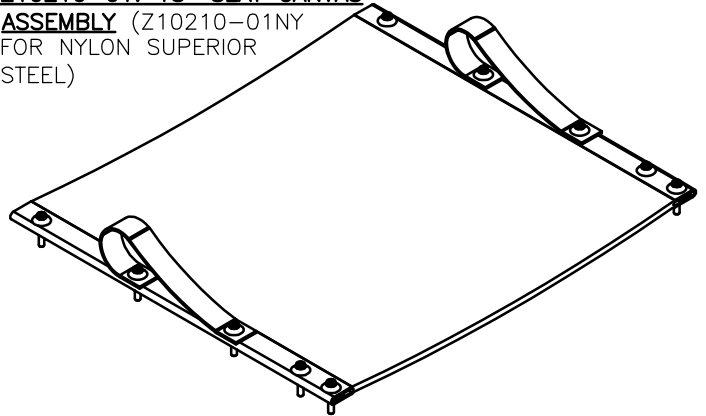
DATE:	17/09/03	SHEET No:	3 of 12
DRAWN:	PMK	CHECKED:	REVISION No: A
SCALE:	NTS	DWG No:	Z10000

REV No.	DETAILS	DATE	DRAWN
A	ECONOMY CHAIRS UPDATED. SUMMER 04 MODELS ADDED PARTS LISTS AND EXPLANATORY NOTES ADDED	22/11/04	PMK

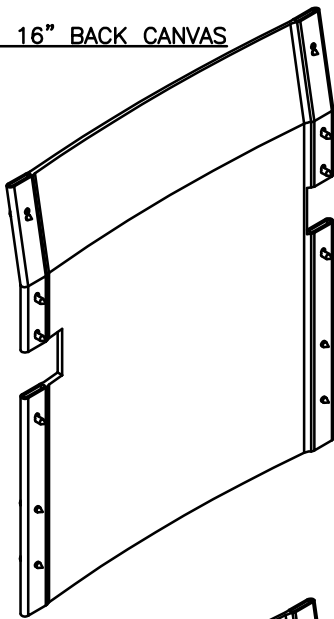
**Z10200-01: 16" SEAT CANVAS
ASSEMBLY**



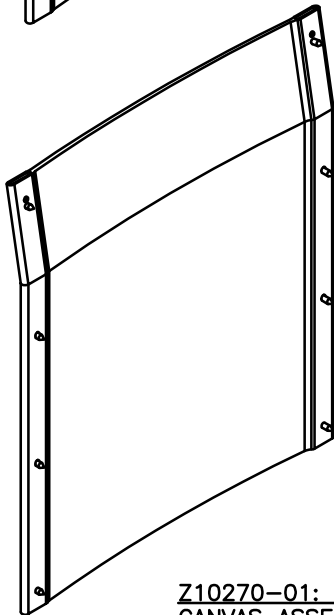
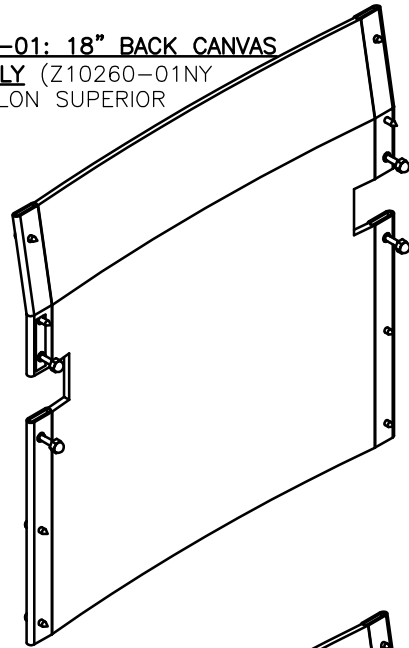
**Z10210-01: 18" SEAT CANVAS
ASSEMBLY (Z10210-01NY
FOR NYLON SUPERIOR
STEEL)**



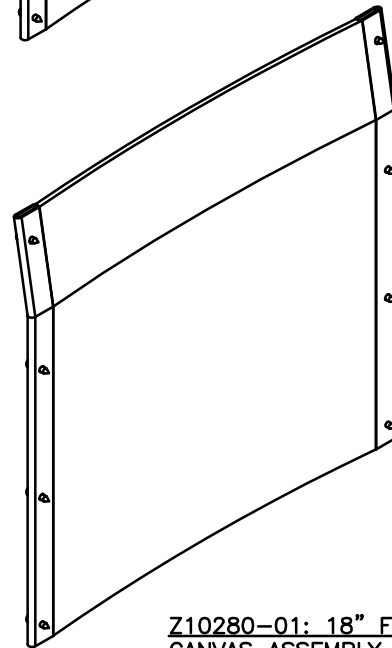
**Z10250-01: 16" BACK CANVAS
ASSEMBLY**



**Z10260-01: 18" BACK CANVAS
ASSEMBLY (Z10260-01NY
FOR NYLON SUPERIOR
STEEL)**



**Z10270-01: 16" FIXED BACK
CANVAS ASSEMBLY**



**Z10280-01: 18" FIXED BACK
CANVAS ASSEMBLY**

drive™

Ainley's Industrial Estate, Eiland HX5 9JP
T: +44 (0) 1422 314488
E: enquiries@drivemedical.co.uk
W: www.drivemedical.co.uk/technical

TITLE:

ENIGMA STEEL WHEELCHAIR
RANGE PARTS CATALOGUE
(S/No. STARTING A...)

DATE: 17/09/03

SHEET No: 4 of 12

DRAWN: PMK

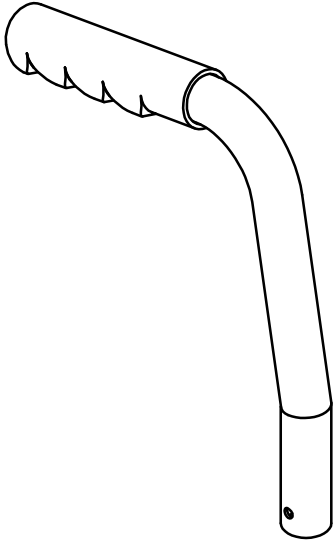
CHECKED:

REVISION No: A

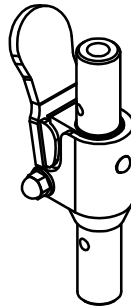
SCALE: NTS

DWG No: Z10000

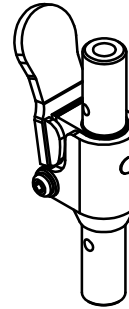
REV No.	DETAILS	DATE	DRAWN
A	ECONOMY CHAIRS UPDATED. SUMMER 04 MODELS ADDED PARTS LISTS AND EXPLANATORY NOTES ADDED	22/11/04	PMK



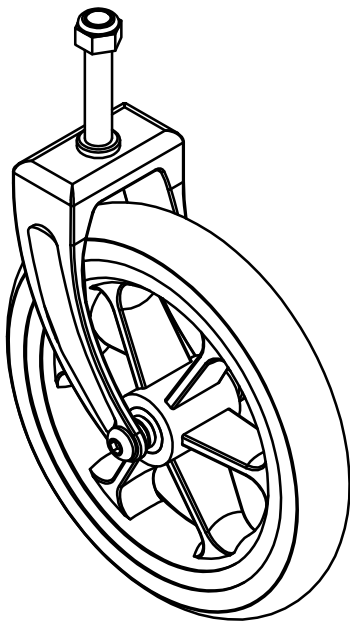
**Z10300-01: PUSH HANDLE
ASSEMBLY**



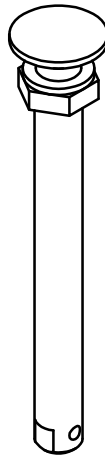
**Z10350-01: HALF FOLD
BACK MECHANISM**



**Z10360-01: HALF FOLD
BACK MECHANISM**



**Z10400-01: FRONT
CASTOR ASSEMBLY**



**Z10450-01: QUICK
RELEASE PIN**
(FOR SELF PROPEL
REAR WHEELS)



AXLE BOLT

Z10861-01: M12 x
130 (FOR SSP18E)

Z10863-01: M12 X
110 (FOR STS18E)

Z10864-01: M12 X
120 (FOR SSP18FW /
STS18FW)

**Z10862-01: M12 NYLOC NUT
FOR AXLE BOLTS**



drive[™]

Ainley's Industrial Estate, Elland HX5 9JP
T: +44 (0) 1422 314488
E: enquiries@drivemedical.co.uk
W: www.drivemedical.co.uk/technical

TITLE:

ENIGMA STEEL WHEELCHAIR
RANGE PARTS CATALOGUE
(S/No. STARTING A...)

DATE: 17/09/03

SHEET No: 5 of 12

DRAWN: PMK

CHECKED:

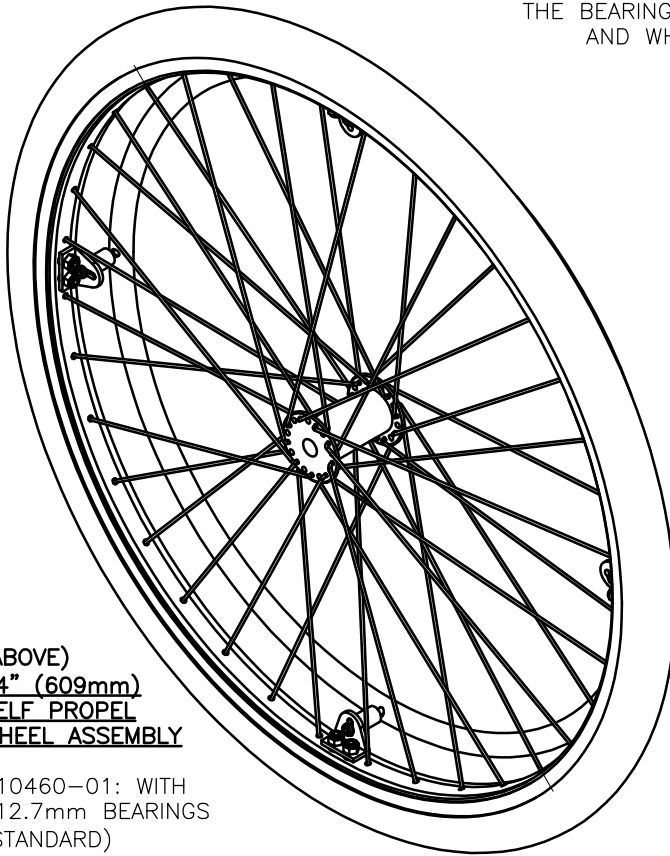
REVISION No: A

SCALE: NTS

DWG No: Z10000

N.B. – BEARING SIZE

THE BEARING SIZE REFERS TO THE SIZE OF HOLE IN THE BEARING, AND WHICH AXLE IS USED WITH IT. BEARINGS ARE EITHER-01: $\phi 12.7\text{mm}$ ($\frac{1}{2}$ ") – USED WITH QUICK RELEASE PIN, or 12mm – USED WITH FIXED WHEEL AXLE



(ABOVE)
**24" (609mm)
SELF PROPEL
WHEEL ASSEMBLY**

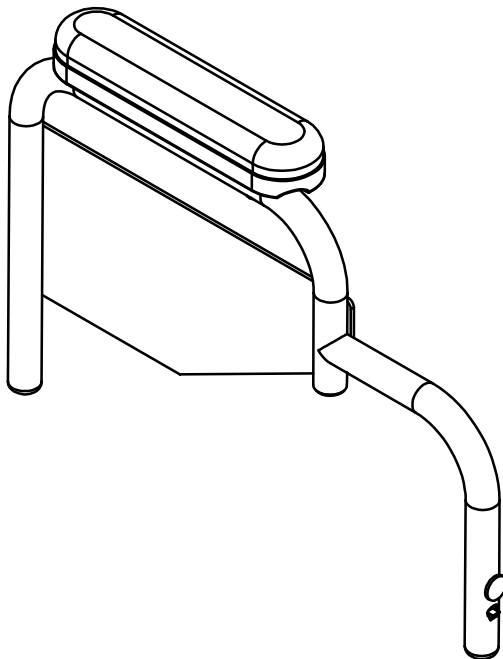
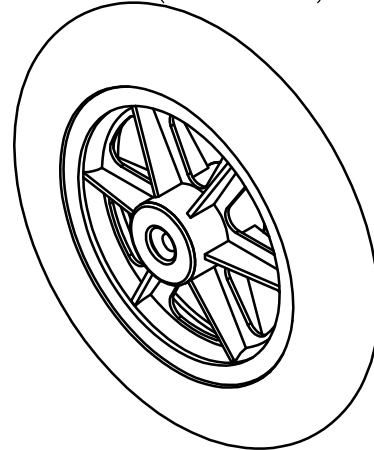
Z10460-01: WITH $\phi 12.7\text{mm}$ BEARINGS (STANDARD)

Z10459-01: WITH $\phi 12\text{mm}$ BEARINGS (FIXED WHEEL)

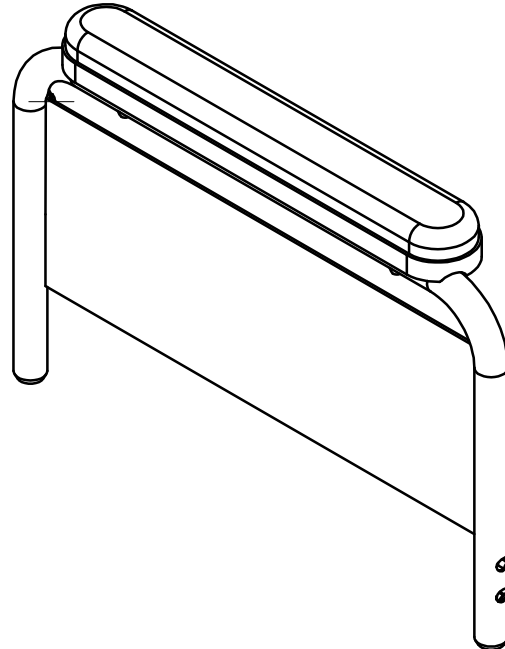
(BELOW)
**12.5" (318mm) TRANSIT
WHEEL ASSEMBLY**

Z10480-01: WITH $\phi 12.7\text{mm}$ BEARING (STANDARD)

Z10479-01: WITH $\phi 12\text{mm}$ BEARING (FIXED WHEEL)



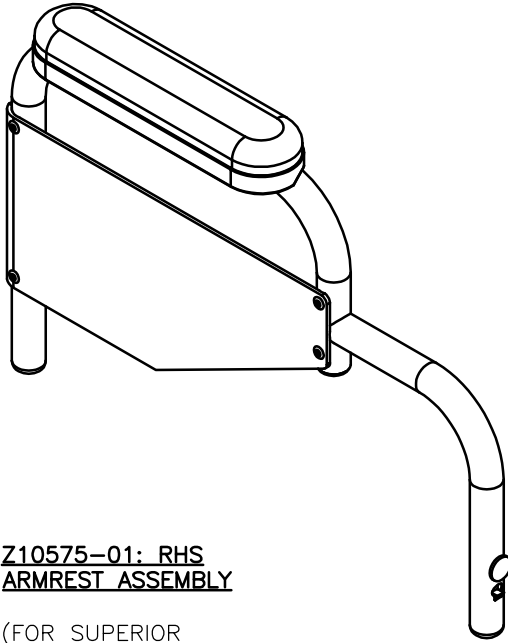
Z10525-01: LHS ARMREST ASSEMBLY
(FOR SUPERIOR STEEL, STATE COLOUR)



Z10540-01: LHS ECONOMY ARMREST ASSEMBLY

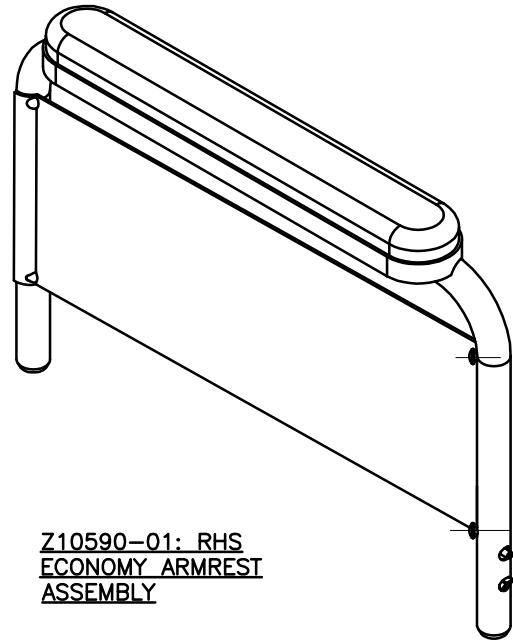
REV No.	DETAILS	DATE	DRAWN
A	ECONOMY CHAIRS UPDATED. SUMMER 04 MODELS ADDED PARTS LISTS AND EXPLANATORY NOTES ADDED	22/11/04	PMK

REV No.	DETAILS	DATE	DRAWN
A	ECONOMY CHAIRS UPDATED. SUMMER 04 MODELS ADDED PARTS LISTS AND EXPLANATORY NOTES ADDED	22/11/04	PMK

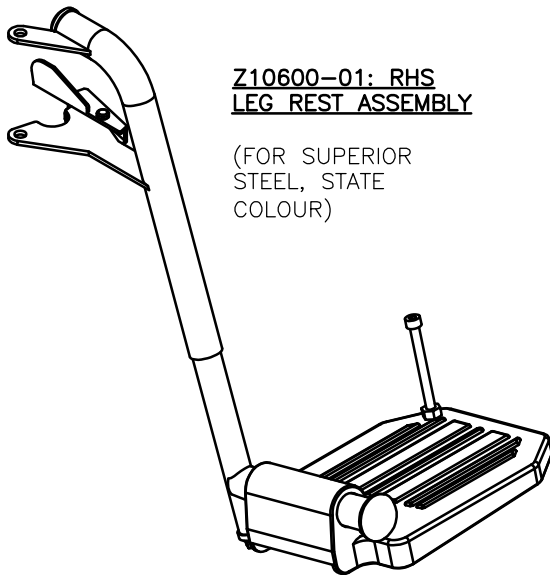


**Z10575-01: RHS
ARMREST ASSEMBLY**

(FOR SUPERIOR
STEEL, STATE
COLOUR)

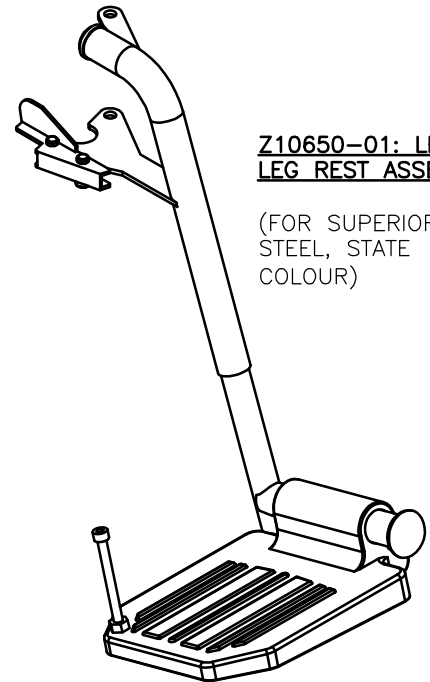


**Z10590-01: RHS
ECONOMY ARMREST
ASSEMBLY**



**Z10600-01: RHS
LEG REST ASSEMBLY**

(FOR SUPERIOR
STEEL, STATE
COLOUR)



**Z10650-01: LHS
LEG REST ASSEMBLY**

(FOR SUPERIOR
STEEL, STATE
COLOUR)

driveTM

Ainley's Industrial Estate, Elland HX5 9JP
T: +44 (0) 1422 314488
E: enquiries@drivemedical.co.uk
W: www.drivemedical.co.uk/technical

TITLE:

ENIGMA STEEL WHEELCHAIR
RANGE PARTS CATALOGUE
(S/No. STARTING A....)

DATE: 17/09/03

SHEET No: 7 of 12

DRAWN: PMK

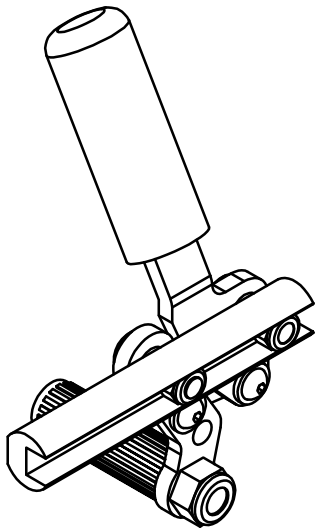
CHECKED:

REVISION No: A

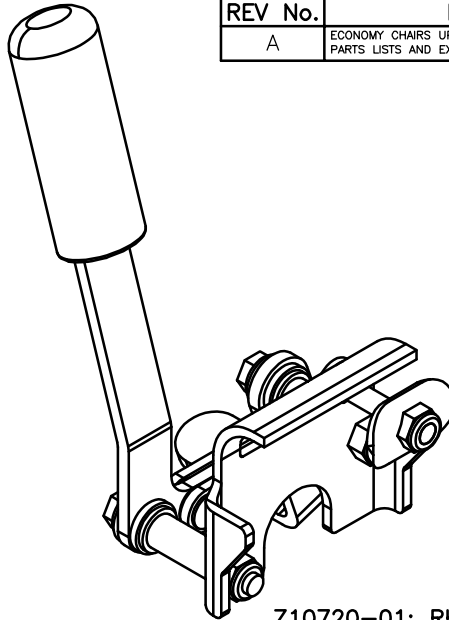
SCALE: NTS

DWG No: Z10000

REV No.	DETAILS	DATE	DRAWN
A	ECONOMY CHAIRS UPDATED. SUMMER 04 MODELS ADDED PARTS LISTS AND EXPLANATORY NOTES ADDED	22/11/04	PMK

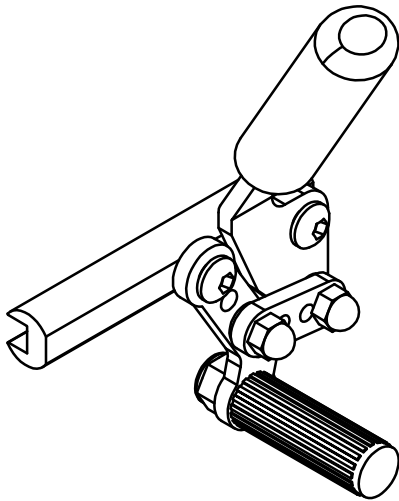
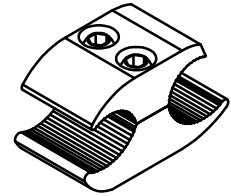


Z10750-01: RHS BRAKE UNIT

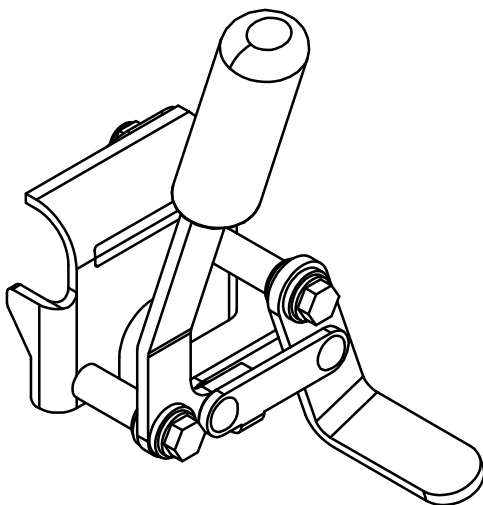


Z10720-01: RHS
ECONOMY BRAKE
UNIT

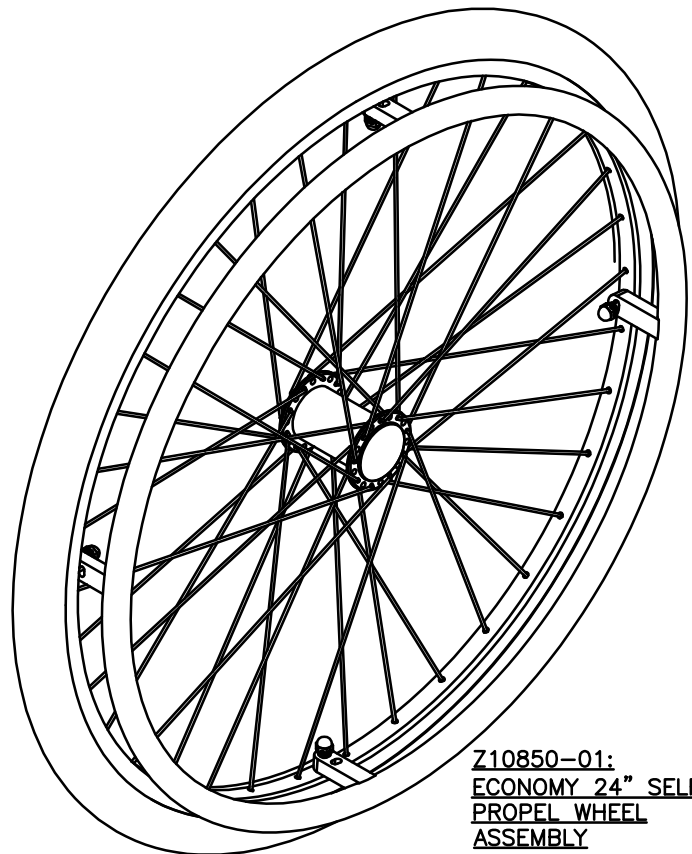
Z10730-01: BRAKE CLAMP
ASSEMBLY



Z10700-01: LHS BRAKE UNIT



Z10770-01: LHS ECONOMY
BRAKE UNIT



Z10850-01:
ECONOMY 24" SELF
PROPEL WHEEL
ASSEMBLY
12mm BEARINGS

driveTM

Ainley's Industrial Estate, Eiland HX5 9JP
T: +44 (0) 1422 314488
E: enquiries@drivemedical.co.uk
W: www.drivemedical.co.uk/technical

TITLE:

ENIGMA STEEL WHEELCHAIR
RANGE PARTS CATALOGUE
(S/No. STARTING A...)

DATE:

17/09/03

SHEET No:

8 of 12

DRAWN:

PMK

CHECKED:

REVISION No:

A

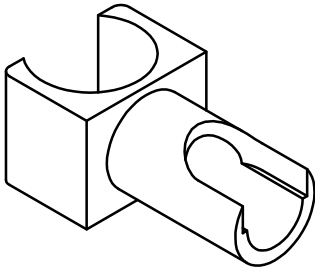
SCALE:

NTS

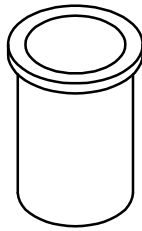
DWG No:

Z10000

REV No.	DETAILS	DATE	DRAWN
A	ECONOMY CHAIRS UPDATED. SUMMER 04 MODELS ADDED PARTS LISTS AND EXPLANATORY NOTES ADDED	22/11/04	PMK



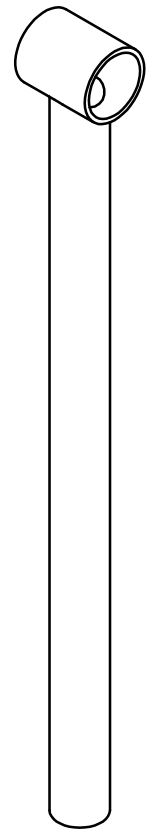
Z10025 – PLASTIC SEAT GUIDE



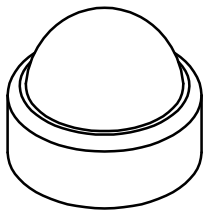
Z10024 – PLASTIC GROMMET FROM DOWN TUBE



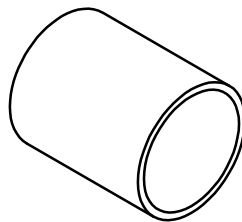
Z10028 – TUBE END



Z10022 – INNER CHROME DOWN TUBE
(Z10101-01 FOR SSP22 / STS22 ONLY)



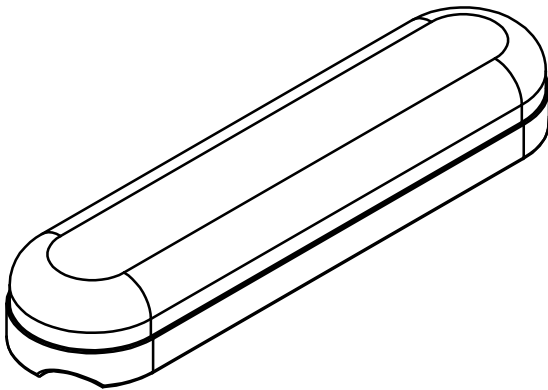
Z10029 – CASTOR HOUSING CAP



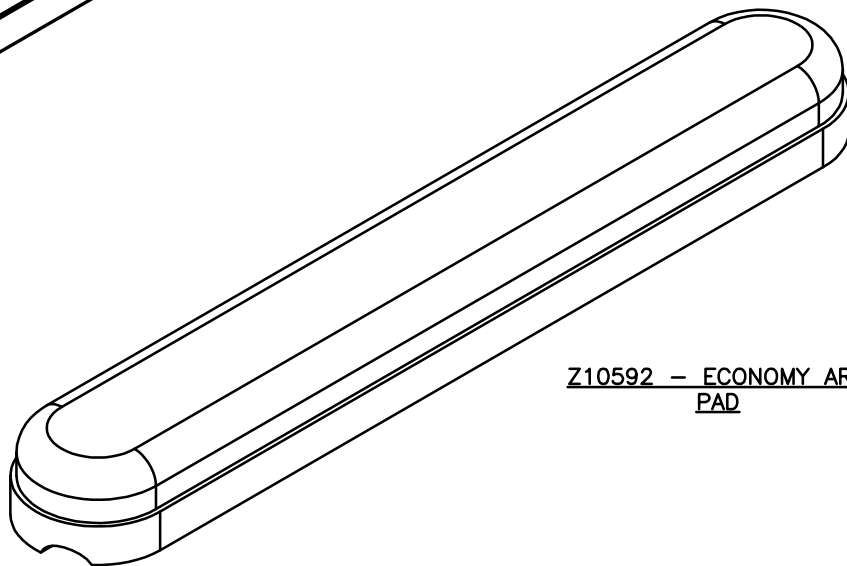
Z10026 – RUBBER STEPPER PAD



Z10721 – PLASTIC BRAKE HANDLE



Z10531 – ARM PAD
(Z10531-01NY FOR NYLON SUPERIOR STEEL)



Z10592 – ECONOMY ARM PAD

drive

Ainley's Industrial Estate, Eiland HX5 9JP
T: +44 (0) 1422 314488
E: enquiries@drivemedical.co.uk
W: www.drivemedical.co.uk/technical

TITLE:

ENIGMA STEEL WHEELCHAIR
RANGE PARTS CATALOGUE
(S/No. STARTING A...)

DATE: 22/09/03

SHEET No: 9 of 12

DRAWN: SML

CHECKED:

REVISION No: A

SCALE: NTS

DWG No: Z10000

CODE-01: SSP16E**MODEL-01: ECONOMY STEEL (18" SELF PROPEL)**

QTY	CODE	DESCRIPTION
1	Z10010-01	CENTRE PIN AS'Y
1	Z10160-01	RHS SP ECONOMY FRAME AS'Y (M12)
1	Z10180-01	LHS SP ECONOMY FRAME AS'Y (M12)
1	Z10210-01	18" SEAT CANVAS AS'Y
1	Z10280-01	18" FIXED BACK CANVAS AS'Y
2	Z10400-01	FRONT CASTOR AS'Y
2	Z10861-01	M12 X 130 AXLE BOLT
2	Z10862-02	M12 NYLOC NUT
2	Z10860-01	24" ECONOMY S.P. WHEEL AS'Y (½")
1	Z10540-01	LHS ECONOMY ARMREST AS'Y
1	Z10590-01	RHS ECONOMY ARMREST AS'Y
1	Z10600-01	RHS LEG REST AS'Y
1	Z10650-01	LHS LEG REST AS'Y
1	Z10720-01	RHS ECONOMY BRAKE UNIT
1	Z10770-01	LHS ECONOMY BRAKE UNIT

CODE-01: STS16E**MODEL-01: ECONOMY STEEL (18" TRANSIT)**

QTY	CODE	DESCRIPTION
1	Z10010-01	CENTRE PIN AS'Y
1	Z10120-01	RHS ECONOMY TS FRAME AS'Y (M12)
1	Z10140-01	LHS ECONOMY TS FRAME AS'Y (M12)
1	Z10210-01	18" SEAT CANVAS AS'Y
1	Z10280-01	18" FIXED BACK CANVAS AS'Y
2	Z10400-01	FRONT CASTOR AS'Y
2	Z10861-01	M12 X 130 AXLE BOLT
2	Z10862-02	M12 NYLOC NUT
2	Z10860-01	24" ECONOMY S.P. WHEEL AS'Y (½")
1	Z10540-01	LHS ECONOMY ARMREST AS'Y
1	Z10590-01	RHS ECONOMY ARMREST AS'Y
1	Z10600-01	RHS LEG REST AS'Y
1	Z10650-01	LHS LEG REST AS'Y
1	Z10720-01	RHS ECONOMY BRAKE UNIT
1	Z10770-01	LHS ECONOMY BRAKE UNIT

CODE-01: SSP18FIXED**MODEL-01: FXIED BACK STEEL (18" SELF PROPEL)**

QTY	CODE	DESCRIPTION
1	Z10010-01	CENTRE PIN AS'Y
1	Z10170-01	18" RHS FIXED BACK FRAME AS'Y (½")
1	Z10190-01	18" LHS FIXED BACK FRAME AS'Y (½")
1	Z10210-01	18" SEAT CANVAS AS'Y
1	Z10280-01	18" FIXED BACK CANVAS AS'Y
2	Z10400-01	FRONT CASTOR AS'Y
2	Z10450-01	QUICK RELEASE PIN (½")
2	Z10460-01	24" SELF PROPEL WHEEL AS'Y (½")
1	Z10525-01	LHS STD ARMREST AS'Y
1	Z10575-01	RHS STD ARMREST AS'Y
1	Z10600-01	RHS LEG REST AS'Y
1	Z10650-01	LHS LEG REST AS'Y
1	Z10700-01	RHS STD BRAKE UNIT
2	Z10730-01	¾" BRAKE CLAMP
1	Z10750-01	LHS STD BRAKE UNIT

CODE-01: STS18FIXED**MODEL-01: FIXED BACK STEEL (18" TRANSIT)**

QTY	CODE	DESCRIPTION
1	Z10010-01	CENTRE PIN AS'Y
1	Z10170-01	18" RHS FIXED BACK FRAME AS'Y (½")
1	Z10190-01	18" LHS FIXED BACK FRAME AS'Y (½")
1	Z10210-01	18" SEAT CANVAS AS'Y
1	Z10280-01	18" FIXED BACK CANVAS AS'Y
2	Z10400-01	FRONT CASTOR AS'Y
2	Z10450-01	QUICK RELEASE PIN (½")
2	Z10480-01	12½" TRANSIT WHEEL AS'Y (½")
1	Z10525-01	LHS STD ARMREST AS'Y
1	Z10575-01	RHS STD ARMREST AS'Y
1	Z10600-01	RHS LEG REST AS'Y
1	Z10650-01	LHS LEG REST AS'Y
1	Z10700-01	RHS STD BRAKE UNIT
2	Z10730-01	¾" BRAKE CLAMP
1	Z10750-01	LHS STD BRAKE UNIT

CODE-01: SSP18FW**MODEL-01: STANDARD STEEL (18" SELF PROPEL)**

QTY	CODE	DESCRIPTION
1	Z10010-01	CENTRE PIN AS'Y
1	Z10060-01	18" RHS STD FRAME AS'Y (M12)
1	Z10080-01	18" LHS STD FRAME AS'Y (M12)
1	Z10210-01	18" SEAT CANVAS AS'Y
1	Z10260-01	18" HALF FOLD BACK CANVAS AS'Y
2	Z10300-01	PUSH HANDLE AS'Y
1	Z10350-01	HALF FOLD BACK MECHANISM
1	Z10360-01	HALF FOLD BACK MECHANISM
2	Z10400-01	FRONT CASTOR AS'Y
2	Z10864-01	M12 X 120 AXLE BOLT
2	Z10862-01	M12 NYLOC NUT
2	Z10459-01	24" SELF PROPEL WHEEL AS'Y (12mm)
1	Z10525-01	LHS STD ARMREST AS'Y
1	Z10575-01	RHS STD ARMREST AS'Y
1	Z10600-01	RHS LEG REST AS'Y
1	Z10650-01	LHS LEG REST AS'Y
1	Z10700-01	RHS STD BRAKE UNIT
2	Z10730-01	¾" BRAKE CLAMP
1	Z10750-01	LHS STD BRAKE UNIT

CODE-01: STS18**MODEL-01: STANDARD STEEL (18" TRANSIT)**

QTY	CODE	DESCRIPTION
1	Z10010-01	CENTRE PIN AS'Y
1	Z10060-01	18" RHS STD FRAME AS'Y (M12)
1	Z10080-01	18" LHS STD FRAME AS'Y (M12)
1	Z10210-01	18" SEAT CANVAS AS'Y
1	Z10260-01	18" HALF FOLD BACK CANVAS AS'Y
2	Z10300-01	PUSH HANDLE AS'Y
1	Z10350-01	HALF FOLD BACK MECHANISM
1	Z10360-01	HALF FOLD BACK MECHANISM
2	Z10400-01	FRONT CASTOR AS'Y
2	Z10864-01	M12 X 120 AXLE BOLT
2	Z10862-01	M12 NYLOC NUT
2	Z10479-01	12½" TRANSIT WHEEL AS'Y (12mm)
1	Z10525-01	LHS STD ARMREST AS'Y
1	Z10575-01	RHS STD ARMREST AS'Y
1	Z10600-01	RHS LEG REST AS'Y
1	Z10650-01	LHS LEG REST AS'Y
1	Z10700-01	RHS STD BRAKE UNIT
2	Z10730-01	¾" BRAKE CLAMP
1	Z10750-01	LHS STD BRAKE UNIT

REV No.	DETAILS	DATE	DRAWN
A	ECONOMY CHAIRS UPDATED. SUMMER 04 MODELS ADDED PARTS LISTS AND EXPLANATORY NOTES ADDED	22/11/04	PMK



Ainley's Industrial Estate, Eland HX5 9JP
T: +44 (0) 1422 314488
E: enquiries@drivemedical.co.uk
W: www.drivemedical.co.uk/technical

TITLE:

ENIGMA STEEL WHEELCHAIR
PARTS CATALOGUE
ECONOMY, FIXED BACK AND
WHEEL STEEL PARTS LIST

DATE:

22/09/03

SHEET No:

10 of 12

DRAWN:

SML

CHECKED:**REVISION No:**

A

SCALE:

NTS

DWG No:

Z10000

CODE-01: SSP16
MODEL-01: STANDARD STEEL (16" SELF PROPEL)

QTY	CODE	DESCRIPTION
1	Z10010-01	CENTRE PIN AS'Y
1	Z10030-01	16" RHS STD FRAME AS'Y (½")
1	Z10050-01	16" LHS STD FRAME AS'Y (½")
1	Z10200-01	16" SEAT CANVAS AS'Y
1	Z10250-01	16" HALF FOLD BACK CANVAS AS'Y
2	Z10300-01	PUSH HANDLE AS'Y
1	Z10350-01	HALF FOLD BACK MECHANISM
1	Z10360-01	HALF FOLD BACK MECHANISM
2	Z10400-01	FRONT CASTOR AS'Y
2	Z10450-01	QUICK RELEASE PIN (½")
2	Z10460-01	24" SELF PROPEL WHEEL AS'Y (½")
1	Z10525-01	LHS STD ARMREST AS'Y
1	Z10575-01	RHS STD ARMREST AS'Y
1	Z10600-01	RHS LEG REST AS'Y
1	Z10650-01	LHS LEG REST AS'Y
1	Z10700-01	RHS STD BRAKE UNIT
2	Z10730-01	¾" BRAKE CLAMP
1	Z10750-01	LHS STD BRAKE UNIT

CODE-01: SSP18
MODEL-01: STANDARD STEEL (18" SELF PROPEL)

QTY	CODE	DESCRIPTION
1	Z10010-01	CENTRE PIN AS'Y
1	Z10070-01	18" RHS STD FRAME AS'Y (½")
1	Z10090-01	18" LHS STD FRAME AS'Y (½")
1	Z10210-01	18" SEAT CANVAS AS'Y
1	Z10260-01	18" HALF FOLD BACK CANVAS AS'Y
2	Z10300-01	PUSH HANDLE AS'Y
1	Z10350-01	HALF FOLD BACK MECHANISM
1	Z10360-01	HALF FOLD BACK MECHANISM
2	Z10400-01	FRONT CASTOR AS'Y
2	Z10450-01	QUICK RELEASE PIN (½")
2	Z10460-01	24" SELF PROPEL WHEEL AS'Y (½")
1	Z10525-01	LHS STD ARMREST AS'Y
1	Z10575-01	RHS STD ARMREST AS'Y
1	Z10600-01	RHS LEG REST AS'Y
1	Z10650-01	LHS LEG REST AS'Y
1	Z10700-01	RHS STD BRAKE UNIT
2	Z10730-01	¾" BRAKE CLAMP
1	Z10750-01	LHS STD BRAKE UNIT

CODE-01: STS16
MODEL-01: STANDARD STEEL (16" TRANSIT)

QTY	CODE	DESCRIPTION
1	Z10010-01	CENTRE PIN AS'Y
1	Z10030-01	16" RHS STD FRAME AS'Y (½")
1	Z10050-01	16" LHS STD FRAME AS'Y (½")
1	Z10200-01	16" SEAT CANVAS AS'Y
1	Z10250-01	16" HALF FOLD BACK CANVAS AS'Y
2	Z10300-01	PUSH HANDLE AS'Y
1	Z10350-01	HALF FOLD BACK MECHANISM
1	Z10360-01	HALF FOLD BACK MECHANISM
2	Z10400-01	FRONT CASTOR AS'Y
2	Z10450-01	QUICK RELEASE PIN (½")
2	Z10480-01	12½" TRANSIT WHEEL AS'Y (½")
1	Z10525-01	LHS STD ARMREST AS'Y
1	Z10575-01	RHS STD ARMREST AS'Y
1	Z10600-01	RHS LEG REST AS'Y
1	Z10650-01	LHS LEG REST AS'Y
1	Z10700-01	RHS STD BRAKE UNIT
2	Z10730-01	¾" BRAKE CLAMP
1	Z10750-01	LHS STD BRAKE UNIT

CODE-01: STS18
MODEL-01: STANDARD STEEL (18" TRANSIT)

QTY	CODE	DESCRIPTION
1	Z10010-01	CENTRE PIN AS'Y
1	Z10070-01	18" RHS STD FRAME AS'Y (½")
1	Z10090-01	18" LHS STD FRAME AS'Y (½")
1	Z10210-01	18" SEAT CANVAS AS'Y
1	Z10260-01	18" HALF FOLD BACK CANVAS AS'Y
2	Z10300-01	PUSH HANDLE AS'Y
1	Z10350-01	HALF FOLD BACK MECHANISM
1	Z10360-01	HALF FOLD BACK MECHANISM
2	Z10400-01	FRONT CASTOR AS'Y
2	Z10450-01	QUICK RELEASE PIN (½")
2	Z10480-01	12½" TRANSIT WHEEL AS'Y (½")
1	Z10525-01	LHS STD ARMREST AS'Y
1	Z10575-01	RHS STD ARMREST AS'Y
1	Z10600-01	RHS LEG REST AS'Y
1	Z10650-01	LHS LEG REST AS'Y
1	Z10700-01	RHS STD BRAKE UNIT
2	Z10730-01	¾" BRAKE CLAMP
1	Z10750-01	LHS STD BRAKE UNIT

CODE-01: SSP18ST
MODEL-01: STANDARD STEEL (18" SELF PROPEL)

QTY	CODE	DESCRIPTION
1	Z10010-01	CENTRE PIN AS'Y
1	Z10070-01	18" RHS STD FRAME AS'Y (½")
1	Z10090-01	18" LHS STD FRAME AS'Y (½")
1	Z10210-01	18" SEAT CANVAS AS'Y
1	Z10260-01	18" HALF FOLD BACK CANVAS AS'Y
2	Z10300-01	PUSH HANDLE AS'Y
1	Z10350-01	HALF FOLD BACK MECHANISM
1	Z10360-01	HALF FOLD BACK MECHANISM
2	Z10400-01	FRONT CASTOR AS'Y
2	Z10450-01	QUICK RELEASE PIN (½")
2	Z10460-01ST	24" SELF PROPEL WHEEL AS'Y (½")
1	Z10525-01	LHS STD ARMREST AS'Y
1	Z10575-01	RHS STD ARMREST AS'Y
1	Z10600-01	RHS LEG REST AS'Y
1	Z10650-01	LHS LEG REST AS'Y
1	Z10700-01	RHS STD BRAKE UNIT
2	Z10730-01	¾" BRAKE CLAMP
1	Z10750-01	LHS STD BRAKE UNIT

CODE-01: STS18ST
MODEL-01: STANDARD STEEL (18" TRANSIT)

QTY	CODE	DESCRIPTION
1	Z10010-01	CENTRE PIN AS'Y
1	Z10070-01	18" RHS STD FRAME AS'Y (½")
1	Z10090-01	18" LHS STD FRAME AS'Y (½")
1	Z10210-01	18" SEAT CANVAS AS'Y
1	Z10260-01	18" HALF FOLD BACK CANVAS AS'Y
2	Z10300-01	PUSH HANDLE AS'Y
1	Z10350-01	HALF FOLD BACK MECHANISM
1	Z10360-01	HALF FOLD BACK MECHANISM
2	Z10400-01	FRONT CASTOR AS'Y
2	Z10450-01	QUICK RELEASE PIN (½")
2	Z10480-01ST	12½" TRANSIT WHEEL AS'Y (½")
1	Z10525-01	LHS STD ARMREST AS'Y
1	Z10575-01	RHS STD ARMREST AS'Y
1	Z10600-01	RHS LEG REST AS'Y
1	Z10650-01	LHS LEG REST AS'Y
1	Z10700-01	RHS STD BRAKE UNIT
2	Z10730-01	¾" BRAKE CLAMP
1	Z10750-01	LHS STD BRAKE UNIT

REV No.	DETAILS	DATE	DRAWN
A	ECONOMY CHAIRS UPDATED. SUMMER 04 MODELS ADDED PARTS LISTS AND EXPLANATORY NOTES ADDED	22/11/04	PMK



Ainley's Industrial Estate, Eland HX5 9JP
T: +44 (0) 1422 314488
E: enquiries@drivemedical.co.uk
W: www.drivemedical.co.uk/technical

TITLE:
ENIGMA STEEL WHEELCHAIR
PARTS CATALOGUE
STANDARD STEEL
PARTS LIST

DATE:	22/09/03	SHEET No:	11 of 12
DRAWN:	SML	CHECKED:	REVISION No: A
SCALE:	NTS	DWG No:	Z10000

CODE-01: SUSP18**MODEL-01: SUPERIOR STEEL (18" SELF PROPEL)**

QTY	CODE	DESCRIPTION
1	Z10010-01	CENTRE PIN AS'Y
1	Z10070-01*	18" RHS STD FRAME AS'Y (½")
1	Z10090-01*	18" LHS STD FRAME AS'Y (½")
1	Z10210-01NY	18" SEAT CANVAS AS'Y
1	Z10260-01NY	18" HALF FOLD BACK CANVAS AS'Y
2	Z10300-01	PUSH HANDLE AS'Y
1	Z10350-01	HALF FOLD BACK MECHANISM
1	Z10360-01	HALF FOLD BACK MECHANISM
2	Z10400-01	FRONT CASTOR AS'Y
2	Z10450-01	QUICK RELEASE PIN (½")
2	Z10460-01	24" SELF PROPEL WHEEL AS'Y (½")
1	Z10525-01*	LHS STD ARMREST AS'Y
1	Z10575-01*	RHS STD ARMREST AS'Y
1	Z10600-01*	RHS LEG REST AS'Y
1	Z10650-01*	LHS LEG REST AS'Y
1	Z10700-01	RHS STD BRAKE UNIT
2	Z10730-01	¾" BRAKE CLAMP
1	Z10750-01	LHS STD BRAKE UNIT

(N.B. '*' DENOTES A COLOUR / FINISH SUFFIX IS REQUIRED)

CODE-01: SUTS18**MODEL-01: SUPERIOR STEEL (18" TRANSIT)**

QTY	CODE	DESCRIPTION
1	Z10010-01	CENTRE PIN AS'Y
1	Z10070-01*	18" RHS STD FRAME AS'Y (½")
1	Z10090-01*	18" LHS STD FRAME AS'Y (½")
1	Z10210-01NY	18" SEAT CANVAS AS'Y
1	Z10260-01NY	18" HALF FOLD BACK CANVAS AS'Y
2	Z10300-01	PUSH HANDLE AS'Y
1	Z10350-01	HALF FOLD BACK MECHANISM
1	Z10360-01	HALF FOLD BACK MECHANISM
2	Z10400-01	FRONT CASTOR AS'Y
2	Z10450-01	QUICK RELEASE PIN (½")
2	Z10480-01	12½" TRANSIT WHEEL AS'Y (½")
1	Z10525-01*	LHS STD ARMREST AS'Y
1	Z10575-01*	RHS STD ARMREST AS'Y
1	Z10600-01*	RHS LEG REST AS'Y
1	Z10650-01*	LHS LEG REST AS'Y
1	Z10700-01	RHS STD BRAKE UNIT
2	Z10730-01	¾" BRAKE CLAMP
1	Z10750-01	LHS STD BRAKE UNIT

(N.B. '*' DENOTES A COLOUR / FINISH SUFFIX IS REQUIRED)

CODE-01: STS18EB**MODEL-01: STANDARD STEEL WITH EASIBRAKE**

QTY	CODE	DESCRIPTION
1	Z10010-01	CENTRE PIN AS'Y
1	Z10070-01	18" RHS STD FRAME AS'Y (½")
1	Z10090-01	18" LHS STD FRAME AS'Y (½")
1	Z10210-01	18" SEAT CANVAS AS'Y
1	Z10260-01	18" HALF FOLD BACK CANVAS AS'Y
2	Z10300-01	PUSH HANDLE AS'Y
1	Z10350-01	HALF FOLD BACK MECHANISM
1	Z10360-01	HALF FOLD BACK MECHANISM
2	Z10400-01	FRONT CASTOR AS'Y
2	Z10450-01	QUICK RELEASE PIN (½")
2	Z10480-01	12½" TRANSIT WHEEL AS'Y (½")
1	Z10525-01	LHS STD ARMREST AS'Y
1	Z10575-01	RHS STD ARMREST AS'Y
1	Z10600-01	RHS LEG REST AS'Y
1	Z10650-01	LHS LEG REST AS'Y
2	Z10730-01	¾" BRAKE CLAMP
1	EB003	TWO-HANDLED EASIBRAKE SYSTEM

CODE-01: SSP22**MODEL-01: 22" STEEL (SELF PROPEL)**

QTY	CODE	DESCRIPTION
1	Z10010-01	CENTRE PIN AS'Y
1	Z10100-01	SSP22 RHS FRAME ASSEMBLY
1	Z10110-01	SSP22 LHS FRAME ASSEMBLY
1	Z10220-01	22" SEAT CANVAS ASSEMBLY
1	Z10290-01	22" HALF FOLD BACK CANVAS AS'Y
2	Z10300-01	PUSH HANDLE AS'Y
1	Z10350-01	HALF FOLD BACK MECHANISM
1	Z10360-01	HALF FOLD BACK MECHANISM
2	Z10400-01	FRONT CASTOR AS'Y
2	Z10450-01	QUICK RELEASE PIN (½")
2	Z10460-01	24" SELF PROPEL WHEEL AS'Y (½")
1	Z10525-01	LHS ARMREST AS'Y
1	Z10575-01	RHS ARMREST AS'Y
1	Z10640-01	RHS HEAVY-DUTY LEGREST AS'Y
1	Z10690-01	LHS HEAVY-DUTY LEGREST AS'Y
1	Z10700-01	RHS STD BRAKE UNIT
2	Z10730-01	¾" BRAKE CLAMP
1	Z10750-01	LHS STD BRAKE UNIT

N.B.

TO CONVERT A SSP22 IN
TO A TRANSIT WHEEL
VERSION REQUIRES 2#
Z10480-01 (12½" TRANSIT
WHEEL AS'Y [½"])

NO PART DIAGRAMS ARE
AVAILABLE FOR THE
STS18EB OR SSP22.

REV No.	DETAILS	DATE	DRAWN
A	ECONOMY CHAIRS UPDATED. SUMMER 04 MODELS ADDED PARTS LISTS AND EXPLANATORY NOTES ADDED	22/11/04	PMK



Ainley's Industrial Estate, Eiland HX5 9JP
T: +44 (0) 1422 314488
E: enquiries@drivemedical.co.uk
W: www.drivemedical.co.uk/technical

TITLE:
ENIGMA STEEL WHEELCHAIR
PARTS CATALOGUE
SUPERIOR STEEL, STS18EB
AND SSP2 PARTS LISTS

DATE:	22/09/03	SHEET No:	12 of 12
DRAWN:	SML	CHECKED:	REVISION No: A
SCALE:	NTS	DWG No:	Z10000