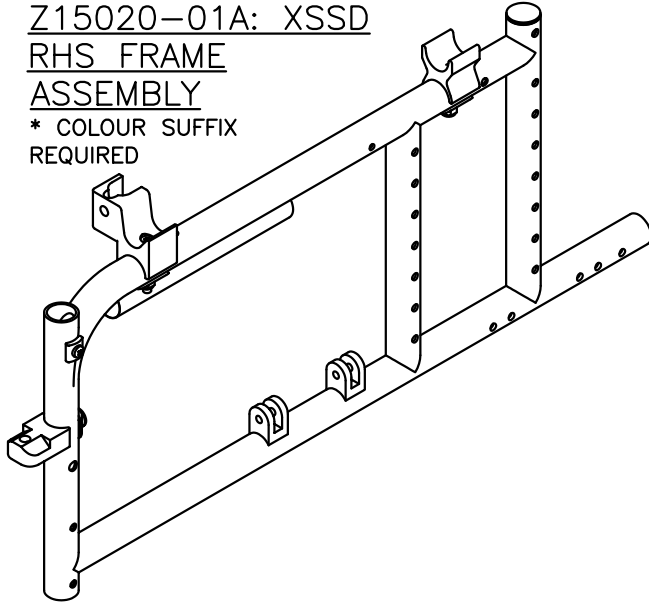
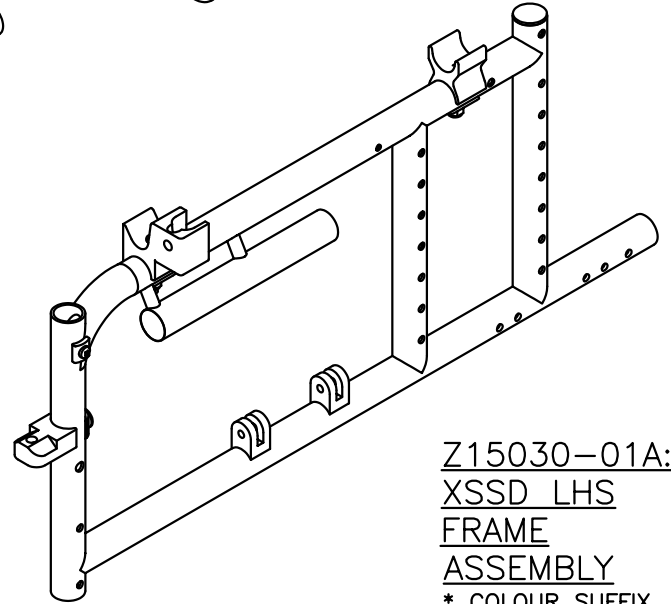
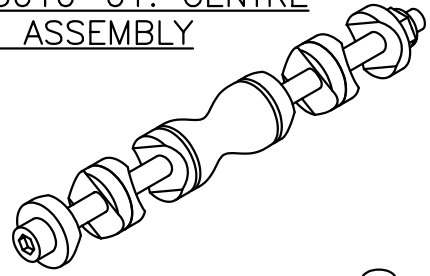


Z15020-01A: XSSD
RHS FRAME
ASSEMBLY

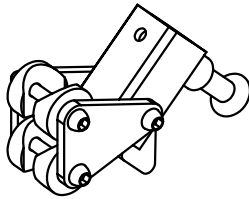
* COLOUR SUFFIX
REQUIRED



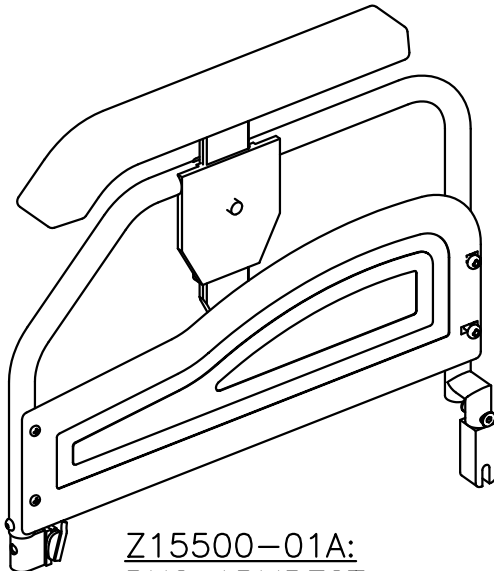
Z15010-01: CENTRE
PIN ASSEMBLY



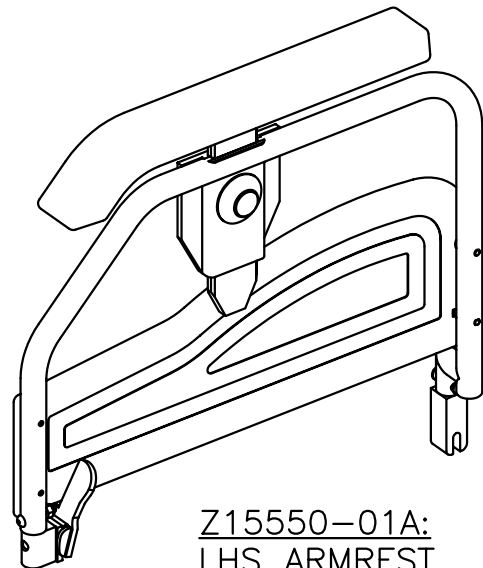
Z15030-01A:
XSSD LHS
FRAME
ASSEMBLY
* COLOUR SUFFIX
REQUIRED



Z15570-01:
REAR ARMREST
RECEIVER ASS'Y



Z15500-01A:
RHS ARMREST
ASSEMBLY



Z15550-01A:
LHS ARMREST
ASSEMBLY



TITLE:

XS SUPER DX (FROM 2007)
PART CATALOGUE

DATE:

16/10/06

SHEET No:

1 OF 10

DRAWN:

PMK

CHECKED:

REVISION No:

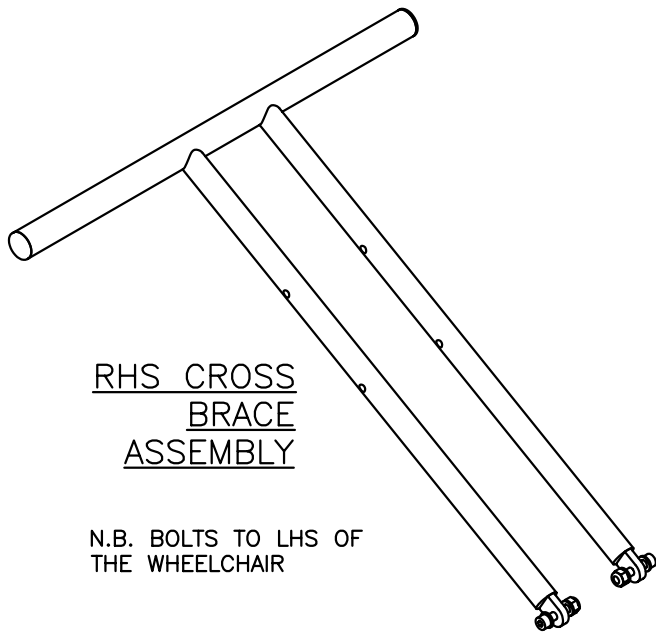
-

SCALE:

NTS

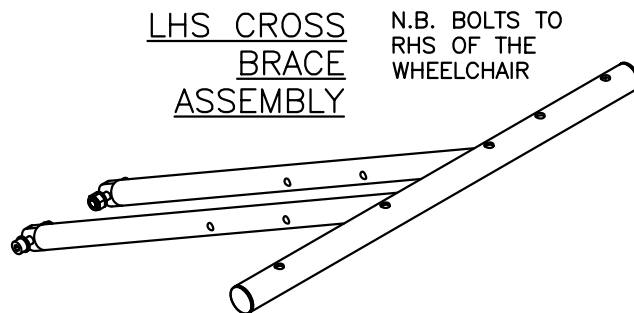
DWG No:

Z15000-A



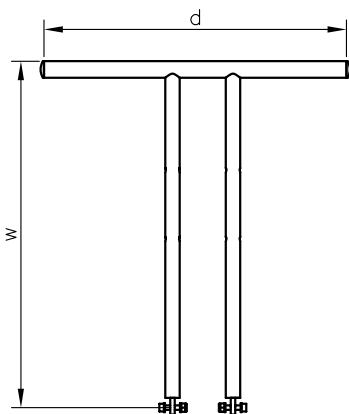
RHS CROSS
BRACE
ASSEMBLY

N.B. BOLTS TO LHS OF THE WHEELCHAIR

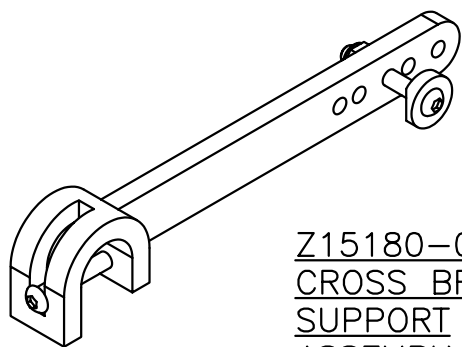


LHS CROSS
BRACE
ASSEMBLY

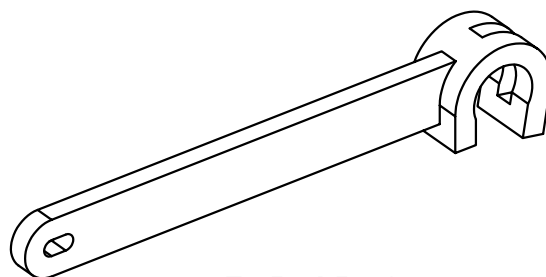
N.B. BOLTS TO RHS OF THE WHEELCHAIR



CODE:	DESCRIPTION:	FOR:	w(mm):	d(mm):
Z15110-01	16" RHS CROSS BRACE	SUPER DX	445	400
Z15120-01	16" LHS CROSS BRACE	SUPER DX	445	400
Z15130-01	18" RHS CROSS BRACE	SUPER DX	500	400
Z15140-01	18" LHS CROSS BRACE	SUPER DX	500	400
Z15150-01	20" RHS CROSS BRACE	SUPER DX	555	400
Z15160-01	20" LHS CROSS BRACE	SUPER DX	555	400
Z20170-01	22" RHS CROSS BRACE	SUPER DX	605	400
Z20175-01	22" LHS CROSS BRACE	SUPER DX	605	400



Z15180-01:
CROSS BRACE
SUPPORT
ASSEMBLY
(FOR 16" / 18" / 20"
SEAT WIDTHS)



Z15185-01:
CROSS BRACE
SUPPORT
(FOR 22" SEAT WIDTHS)



TITLE:
XS SUPER DX (FROM 2007)
PARTS CATALOGUE

DATE: 16/10/06

SHEET No: 2 OF 10

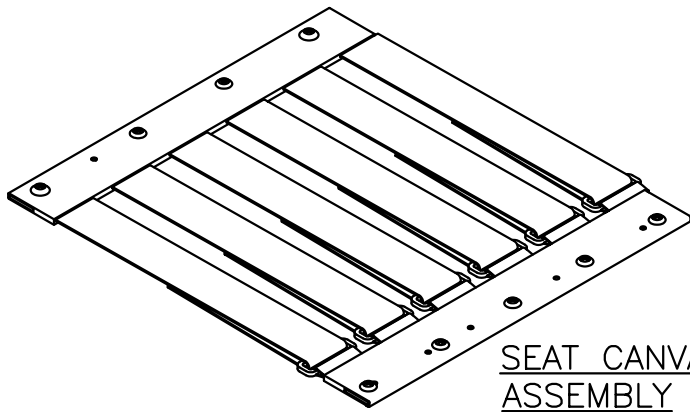
DRAWN: PMK

CHECKED:

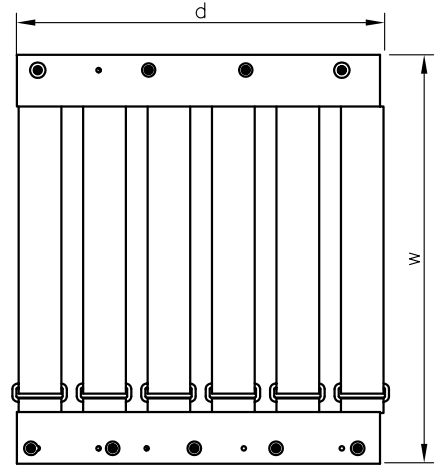
REVISION No: -

SCALE: NTS

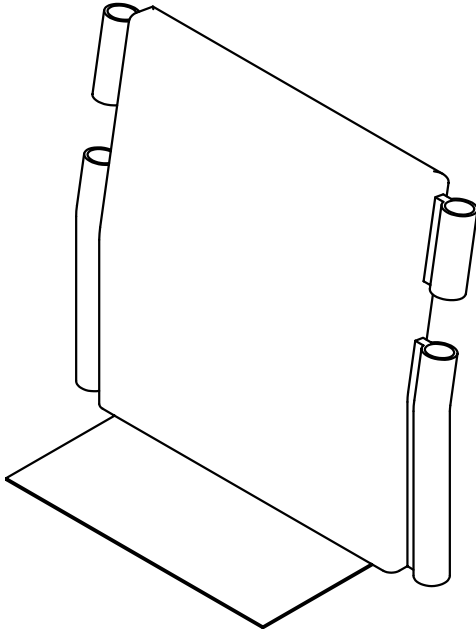
DWG No: Z15000-A



SEAT CANVAS ASSEMBLY



CODE:	DESCRIPTION:	FOR:	w(mm):	d(mm)
Z15200-01A	16" SEAT CANVAS ASSEMBLY	SUPER DELUXE	400	400
Z15210-01A	18" SEAT CANVAS ASSEMBLY	SUPER DELUXE	450	400
Z15220-01A	20" SEAT CANVAS ASSEMBLY	SUPER DELUXE	500	400
Z15230-01A	22" SEAT CANVAS ASSEMBLY	SUPER DELUXE	550	400



BACK CANVAS ASSEMBLY
 COMES WITH TENSION ADJUSTABLE
 VELCRO STRAPS AND BACK CUSHION

CODE:	DESCRIPTION:	FOR:
Z15235-01	16" TENSION ADJ BACK CANVAS	SUPER DELUXE
Z15255-01	18" TENSION ADJ BACK CANVAS	SUPER DELUXE
Z15275-01	20" TENSION ADJ BACK CANVAS	SUPER DELUXE
Z15295-01	22" TENSION ADJ BACK CANVAS	SUPER DELUXE



TITLE:
 XS SUPER DX (FROM 2007)
 PARTS CATALOGUE

DATE: 16/10/06

SHEET No: 3 OF 10

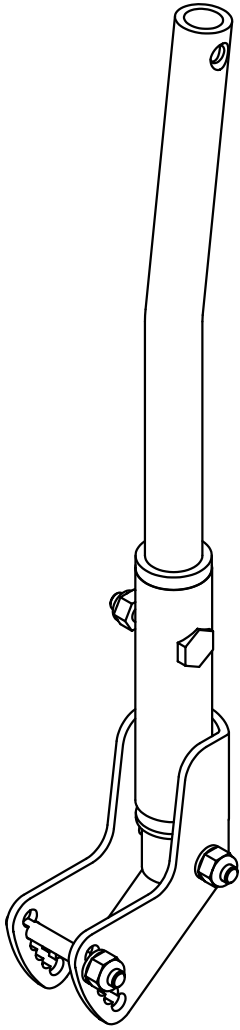
DRAWN: PMK

CHECKED:

REVISION No: -

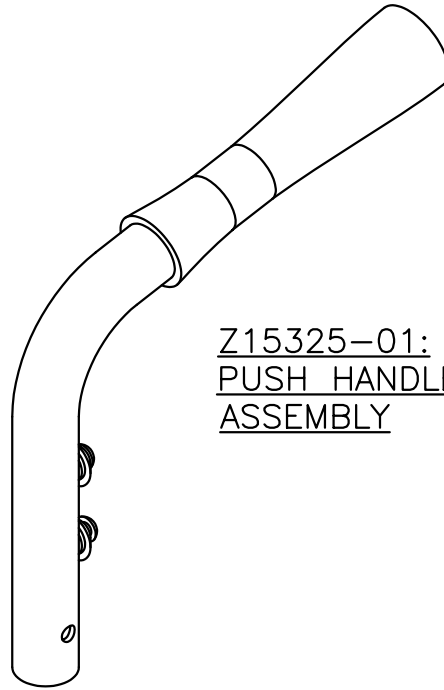
SCALE: NTS

DWG No: Z15000-A



Z15300-01A:
BACK POST
ASSEMBLY

WITH HEIGHT
AND ANGLE
ADJUSTMENT.
COMES WITH
BACK POST AND
STEEL RECEIVER
BRACKET

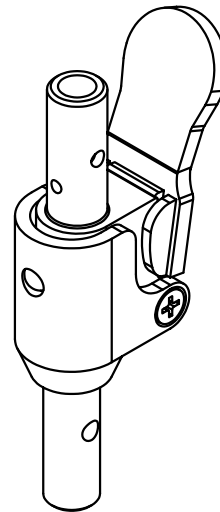


Z15325-01:
PUSH HANDLE
ASSEMBLY

HALF-FOLD BACK
MECHANISM

Z15350-01:
RHS MECHANISM FOR
SUPER DELUXE

Z15360-01:
LHS MECHANISM FOR SUPER
DELUXE



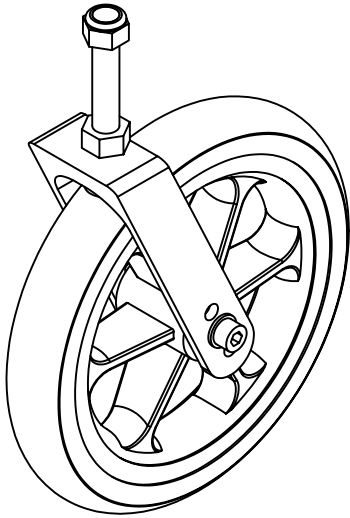
TITLE:
XS SUPER DX (FROM 2007)
PARTS CATALOGUE

DATE: 16/10/06
DRAWN: PMK
SCALE: NTS

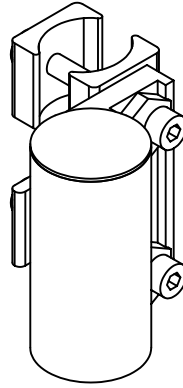
SHEET No: 4 OF 10
REVISION No: -
DWG No: Z1500

FRONT
CASTOR
AS'Ys

Z15400-01: FOR SUPER
DELUXE / DELUXE (SHOWN)
(6 SPOKE WHEEL WITH 200mm
/ 8" GREY SOLID TYRE)

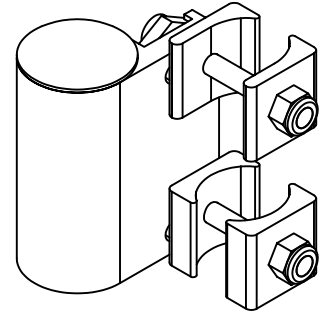


Z15400-01A: FOR
SUPER DELUXE (FROM
2008 - NOT SHOWN)
(WITH 180mm / 7"
GREY SOLID TYRE)

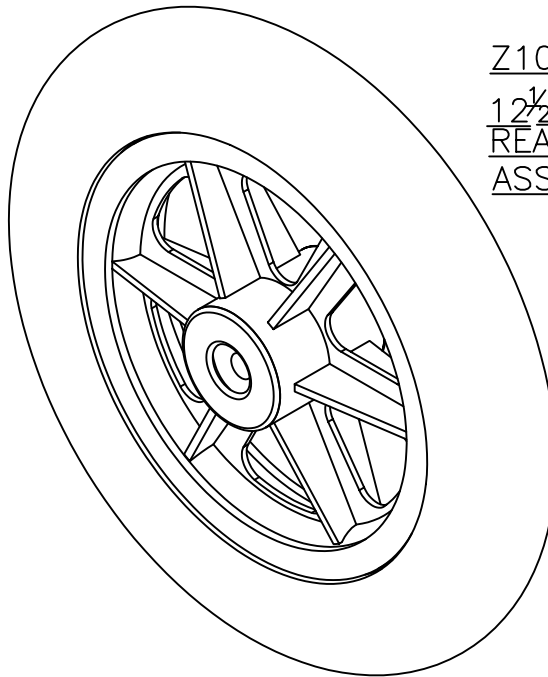
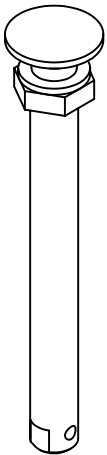


Z15435-01:
LHS CASTOR
HOUSING AS'Y

Z15425-01:
RHS CASTOR
HOUSING AS'Y

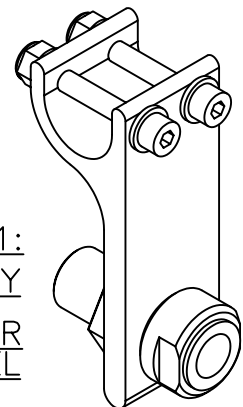


Z10450-01:
REAR WHEEL
QUICK RELEASE
PIN



Z10480-01:
12¹/₂" TRANSIT
REAR WHEEL
ASSM'TBLY

Z15490-01:
AXLE PLATE AS'Y
FOR 12¹/₂" REAR
WHEEL



TITLE:
XS SUPER DX (FROM 2007)
PARTS CATALOGUE

DATE: 16/10/06

SHEET No: 5 OF 10

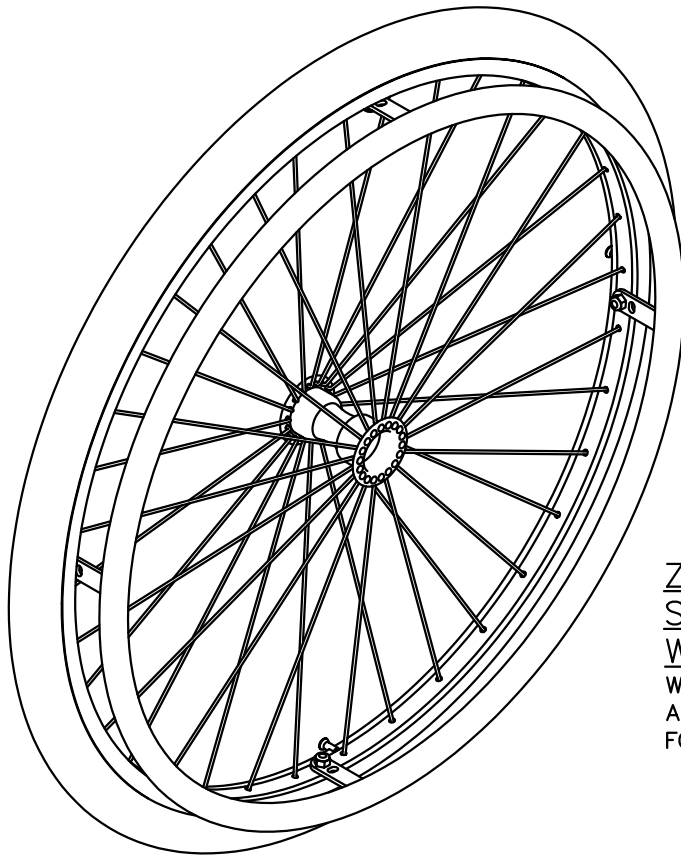
DRAWN: PMK

CHECKED:

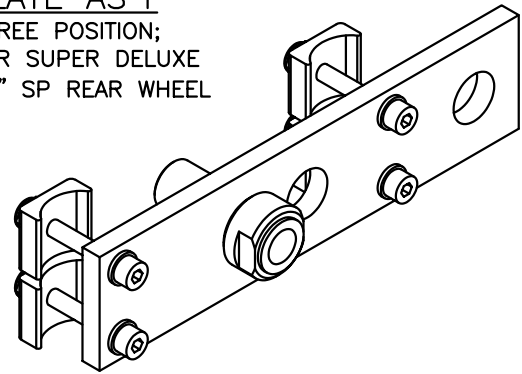
REVISION No: -

SCALE: NTS

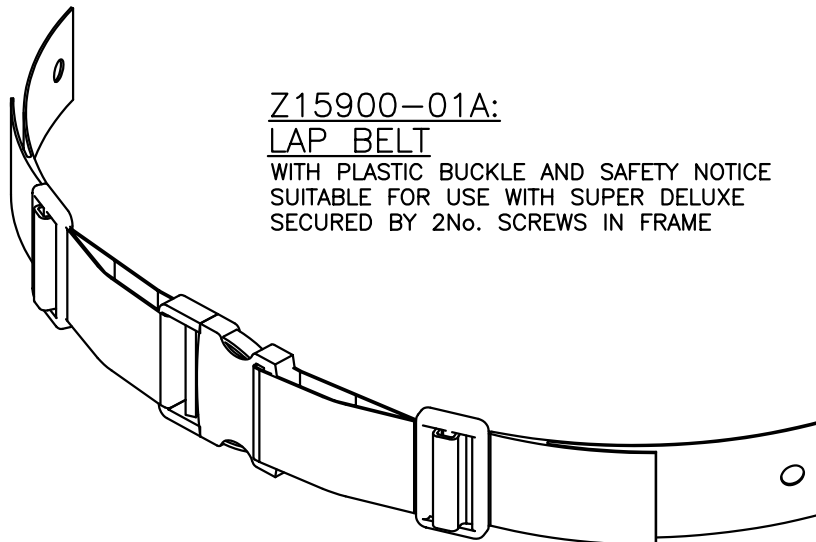
DWG No: Z18000



Z15470-01: AXLE
PLATE AS'Y
 THREE POSITION;
 FOR SUPER DELUXE
 24" SP REAR WHEEL



Z15460-01: 24"
SELF PROPEL REAR
WHEEL ASSEMBLY
 WITH PNEUMATIC GREY TYRES
 AND PAINTED METAL HANDRIM.
 FOR SUPER DELUXE



Z15900-01A:
LAP BELT
 WITH PLASTIC BUCKLE AND SAFETY NOTICE
 SUITABLE FOR USE WITH SUPER DELUXE
 SECURED BY 2No. SCREWS IN FRAME



TITLE:
 XS SUPER DX (FROM 2007)
 PARTS CATALOGUE

DATE: 16/10/06

SHEET No: 6 OF 10

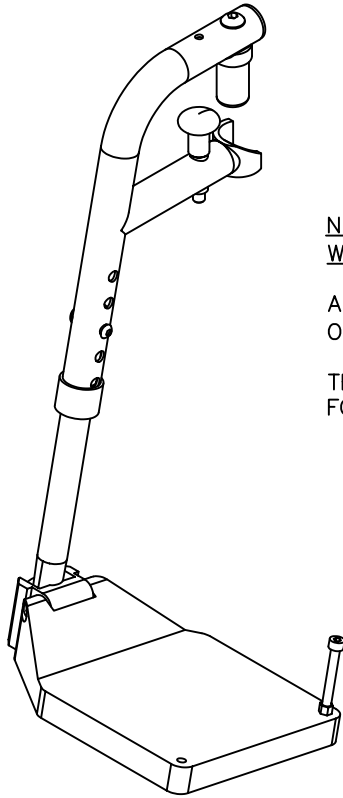
DRAWN: PMK

CHECKED:

REVISION No: -

SCALE: NTS

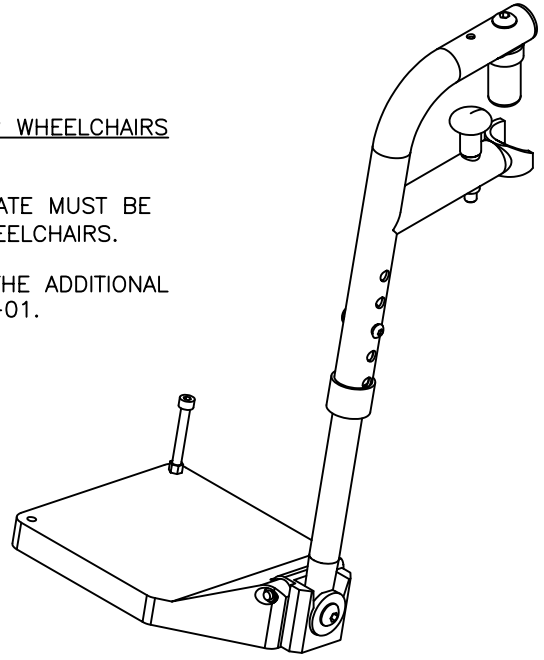
DWG No: Z15000-A



NOTE: FOOTPLATES FOR WHEELCHAIRS WITH 16" SEAT WIDTH

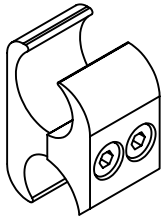
AN ADDITIONAL FOOTPLATE MUST BE ORDERED FOR 16" WHEELCHAIRS.

THE PART CODE FOR THE ADDITIONAL FOOTPLATE IS Z17631-01.

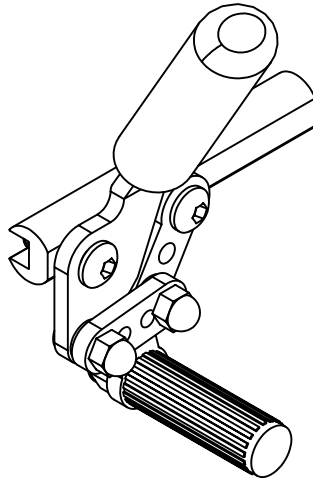


Z17650-01:
RHS LEG REST ASSEMBLY
* COLOUR SUFFIX REQUIRED

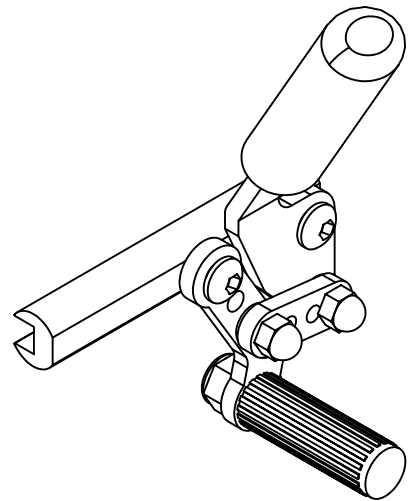
Z17600-01:
LHS LEG REST ASSEMBLY
* COLOUR SUFFIX REQUIRED



Z15730-01:
ALUMINIUM BRAKE CLAMP



Z10700-01:
LHS BRAKE UNIT



Z10750-01:
RHS BRAKE UNIT



TITLE:
XS SUPER DX (FROM 2007)
PARTS CATALOGUE

DATE: 16/10/06

SHEET No: 7 OF 10

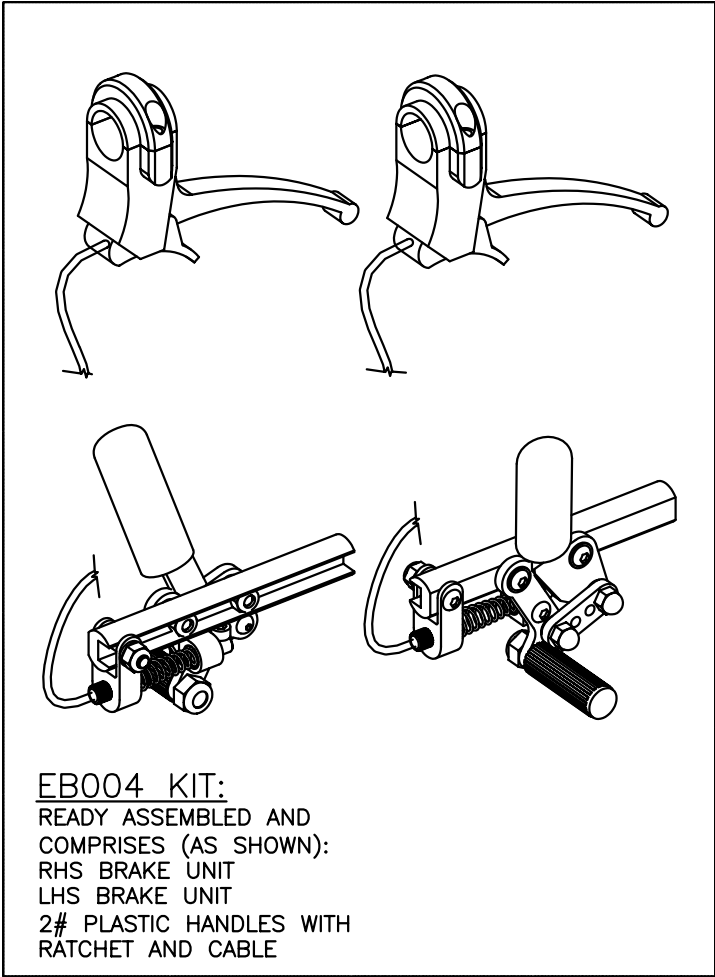
DRAWN: PMK

CHECKED:

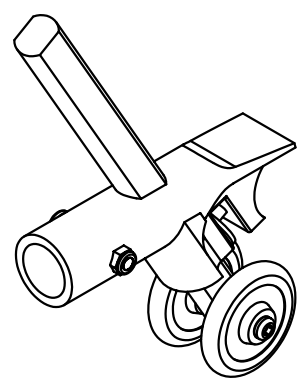
REVISION No: -

SCALE: NTS

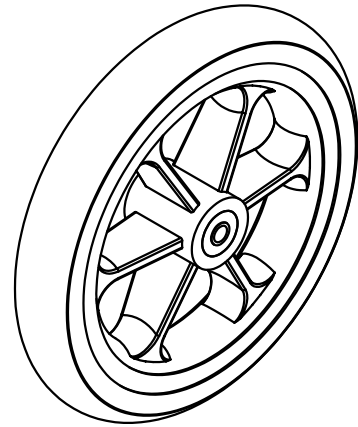
DWG No: Z18000



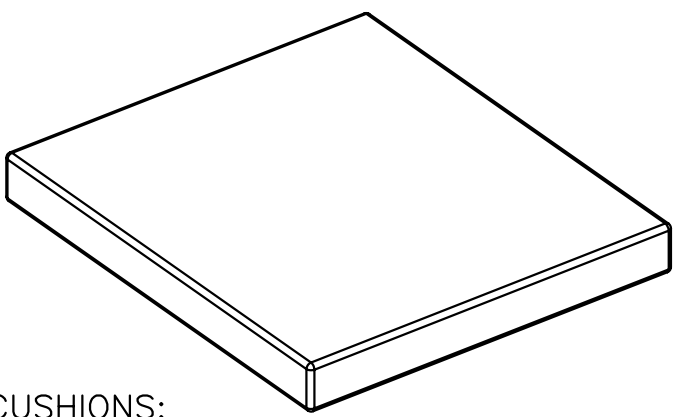
EB004 KIT:
 READY ASSEMBLED AND
 COMPRISES (AS SHOWN):
 RHS BRAKE UNIT
 LHS BRAKE UNIT
 2# PLASTIC HANDLES WITH
 RATCHET AND CABLE



Z17800-01:
ANTI-TIP WHEEL AS'Y



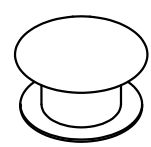
Z15404-01: 200 X
32 (6-SPOKE)
CASTOR WHEEL



CUSHIONS:

16" (40cm) SEAT DEPTH WITH BLACK NYLON CANVAS
 UPHOLSTERY AND 2" (5cm) THICK FOAM.

- CU001 - 16" (40cm) WIDTH CUSHION
- CU002 - 18" (45cm) WIDTH CUSHION
- CU010 - 20" (50cm) WIDTH CUSHION
- CU013 - 22" (55cm) WIDTH CUSHION



Z15023-01:
1" PLASTIC
TUBE END



TITLE:
 XS SUPER DX (FROM 2007)
 PARTS CATALOGUE

DATE:	16/10/06	SHEET No:	8 OF 10
DRAWN:	PMK	CHECKED:	REVISION No: -
SCALE:	NTS	DWG No:	Z15000-A

XS SUPER DELUXE WHEELCHAIRS – PARTS LIST

FROM JANUARY 2007 ONWARDS. SEE OTHER PARTS MANUAL FOR EARLIER WHEELCHAIRS.

*’ DENOTES A COLOUR SUFFIX IS REQUIRED

MODEL: XSSDSP20

XS 20” SUPER DELUXE WHEELCHAIR (SELF-PROPEL)

QTY	CODE	DESCRIPTION
1	Z15010-01	CENTRE PIN ASSEMBLY
1	Z15020-01A*	XS RHS FRAME ASSEMBLY (07)
1	Z15030-01A*	XS LHS FRAME ASSEMBLY (07)
1	Z15150-01	20” RHS CROSS BR
1	Z15160-01	20” LHS CROSS BR
2	Z15180-01	CROSS BRACE SUPPORT ASS’Y
1	Z15220-01A	20” TENSION ADJ SEAT CANVAS
1	Z15275-01	20” TENSION ADJ BACK CANVAS
1	Z15300-01A	ANGLE ADJ BACK POST ASS’Y
1	Z15325-01	PUSH HANDLE ASSEMBLY
1	Z15350-01	HALF-FOLD MECHANISM (RHS)
1	Z15360-01	HALF-FOLD MECHANISM (LHS)
2	Z15400-01	FRONT CASTOR ASSEMBLY
1	Z15425-01	RHS CASTOR HOUSING ASS’Y
1	Z15435-01	LHS CASTOR HOUSING ASS’Y
2	Z10450-01	QUICK RELEASE PIN
2	Z15460-01	24” SELF PROPEL WHEEL
2	Z15470-01	AXLE PLATE ASSEMBLY
1	Z15500-01A	RHS ARM REST ASSEMBLY
2	Z15570-01	ARM REST BRACKETRY
1	Z15550-01A	LHS ARM REST ASSEMBLY
1	Z17600-01*	LHS STD. ALU. LEGREST ASS’Y
1	Z17650-01*	RHS STD. ALU. LEGREST ASS’Y
1	Z10700-01	LHS BRAKE UNIT
2	Z15730-01	ALUMINIUM BRAKE CLAMP
1	Z10750-01	RHS BRAKE UNIT
2	Z17800-01	STEPPER TUBE / ANTI TIP ASS’Y
1	CU010	20” (50cm) CANVAS CUSHION

MODEL: XSSDTS20

XS 20” SUPER DELUXE WHEELCHAIR (TRANSIT)

QTY	CODE	DESCRIPTION
1	Z15010-01	CENTRE PIN ASSEMBLY
1	Z15020-01A*	XS RHS FRAME ASSEMBLY (07)
1	Z15030-01A*	XS LHS FRAME ASSEMBLY (07)
1	Z15150-01	20” RHS CROSS BR
1	Z15160-01	20” LHS CROSS BR
2	Z15180-01	CROSS BRACE SUPPORT ASS’Y
1	Z15220-01A	20” TENSION ADJ SEAT CANVAS
1	Z15275-01	20” TENSION ADJ BACK CANVAS
1	Z15300-01A	ANGLE ADJ BACK POST ASS’Y
1	Z15325-01	PUSH HANDLE ASSEMBLY
1	Z15350-01	HALF-FOLD MECHANISM (RHS)
1	Z15360-01	HALF-FOLD MECHANISM (LHS)
2	Z15400-01	FRONT CASTOR ASSEMBLY
1	Z15425-01	RHS CASTOR HOUSING ASS’Y
1	Z15435-01	LHS CASTOR HOUSING ASS’Y
2	Z10450-01	QUICK RELEASE PIN
2	Z10480-01	12½” TRANSIT WHEEL
2	Z15490-01	AXLE PLATE ASSEMBLY
1	Z15500-01A	RHS ARM REST ASSEMBLY
2	Z15570-01	ARM REST BRACKETRY
1	Z15550-01A	LHS ARM REST ASSEMBLY
1	Z17600-01*	LHS STD. ALU. LEGREST ASS’Y
1	Z17650-01*	RHS STD. ALU. LEGREST ASS’Y
2	Z15730-01	ALUMINIUM BRAKE CLAMP
1	EB004	EB004 CABLE BRAKE KIT
2	Z17800-01	STEPPER TUBE / ANTI TIP ASS’Y
1	CU010	20” (50cm) CANVAS CUSHION
1	Z15900-01A	LAP BELT

MODEL: XSSDSP22

XS 22” SUPER DELUXE WHEELCHAIR (SELF-PROPEL)

QTY	CODE	DESCRIPTION
1	Z15010-01	CENTRE PIN ASSEMBLY
1	Z15020-01A*	XS RHS FRAME ASSEMBLY (07)
1	Z15030-01A*	XS LHS FRAME ASSEMBLY (07)
1	Z20170-01	22” RHS CROSS BR
1	Z15175-01	22” LHS CROSS BR
2	Z15180-01	22” CROSS BRACE SUPPORT
1	Z15230-01A	22” TENSION ADJ SEAT CANVAS
1	Z15295-01	22” TENSION ADJ BACK CANVAS
1	Z15300-01A	ANGLE ADJ BACK POST ASS’Y
1	Z15325-01	PUSH HANDLE ASSEMBLY
1	Z15350-01	HALF-FOLD MECHANISM (RHS)
1	Z15360-01	HALF-FOLD MECHANISM (LHS)
2	Z15400-01	FRONT CASTOR ASSEMBLY
1	Z15425-01	RHS CASTOR HOUSING ASS’Y
1	Z15435-01	LHS CASTOR HOUSING ASS’Y
2	Z10450-01	QUICK RELEASE PIN
2	Z15460-01	24” SELF PROPEL WHEEL
2	Z15470-01	AXLE PLATE ASSEMBLY
1	Z15500-01A	RHS ARM REST ASSEMBLY
2	Z15570-01	ARM REST BRACKETRY
1	Z15550-01A	LHS ARM REST ASSEMBLY
1	Z17600-01*	LHS STD. ALU. LEGREST ASS’Y
1	Z17650-01*	RHS STD. ALU. LEGREST ASS’Y
1	Z10700-01	LHS BRAKE UNIT
2	Z15730-01	ALUMINIUM BRAKE CLAMP
1	Z10750-01	RHS BRAKE UNIT
2	Z17800-01	STEPPER TUBE / ANTI TIP ASS’Y
1	CU013	22” (55cm) CANVAS CUSHION

MODEL: XSSDTS22

XS 22” SUPER DELUXE WHEELCHAIR (TRANSIT)

QTY	CODE	DESCRIPTION
1	Z15010-01	CENTRE PIN ASSEMBLY
1	Z15020-01A*	XS RHS FRAME ASSEMBLY (07)
1	Z15030-01A*	XS LHS FRAME ASSEMBLY (07)
1	Z20170-01	22” RHS CROSS BR
1	Z20175-01	22” LHS CROSS BR
2	Z15185-01	22” CROSS BRACE SUPPORT
1	Z15230-01A	22” TENSION ADJ SEAT CANVAS
1	Z15295-01	22” TENSION ADJ BACK CANVAS
1	Z15300-01A	ANGLE ADJ BACK POST ASS’Y
1	Z15325-01	PUSH HANDLE ASSEMBLY
1	Z15350-01	HALF-FOLD MECHANISM (RHS)
1	Z15360-01	HALF-FOLD MECHANISM (LHS)
2	Z15400-01	FRONT CASTOR ASSEMBLY
1	Z15425-01	RHS CASTOR HOUSING ASS’Y
1	Z15435-01	LHS CASTOR HOUSING ASS’Y
2	Z10450-01	QUICK RELEASE PIN
2	Z10480-01	12½” TRANSIT WHEEL
2	Z15490-01	AXLE PLATE ASSEMBLY
1	Z15500-01A	RHS ARM REST ASSEMBLY
2	Z15570-01	ARM REST BRACKETRY
1	Z15550-01A	LHS ARM REST ASSEMBLY
1	Z17600-01*	LHS STD. ALU. LEGREST ASS’Y
1	Z17650-01*	RHS STD. ALU. LEGREST ASS’Y
2	Z15730-01	ALUMINIUM BRAKE CLAMP
1	EB004	EB004 CABLE BRAKE KIT
2	Z17800-01	STEPPER TUBE / ANTI TIP ASS’Y
1	CU013	22” (55cm) CANVAS CUSHION
1	Z15900-01A	LAP BELT



TITLE:

XS SUPER DX (FROM 2007)
XS SUPER DELUXE PART LIST
PARTS CATALOGUE

DATE:

16/10/06

SHEET No:

9 OF 10

DRAWN:

PMK

CHECKED:

REVISION No:

—

SCALE:

NTS

DWG No:

Z15000-A

XS SUPER DELUXE WHEELCHAIRS – PARTS LIST

FROM JANUARY 2007 ONWARDS. SEE OTHER PARTS MANUAL FOR EARLIER WHEELCHAIRS.

'*' DENOTES A COLOUR SUFFIX IS REQUIRED

MODEL: XSSDSP16

XS 16" SUPER DELUXE WHEELCHAIR (SELF-PROPEL)

QTY	CODE	DESCRIPTION
1	Z15010-01	CENTRE PIN ASSEMBLY
1	Z15020-01A*	XS RHS FRAME ASSEMBLY (07)
1	Z15030-01A*	XS LHS FRAME ASSEMBLY (07)
1	Z15110-01	16" RHS CROSS BR
1	Z15120-01	16" LHS CROSS BR
2	Z15180-01	CROSS BRACE SUPPORT AS'Y
1	Z15200-01A	16" TENSION ADJ SEAT CANVAS
1	Z15235-01	16" TENSION ADJ BACK CANVAS
1	Z15300-01A	ANGLE ADJ BACK POST ASS'Y
1	Z15325-01	PUSH HANDLE ASSEMBLY
1	Z15350-01	HALF-FOLD MECHANISM (RHS)
1	Z15360-01	HALF-FOLD MECHANISM (LHS)
2	Z15400-01	FRONT CASTOR ASSEMBLY
1	Z15425-01	RHS CASTOR HOUSING ASS'Y
1	Z15435-01	LHS CASTOR HOUSING ASS'Y
2	Z10450-01	QUICK RELEASE PIN
2	Z15460-01	24" SELF PROPEL WHEEL
2	Z15470-01	AXLE PLATE ASSEMBLY
1	Z15500-01A	RHS ARM REST ASSEMBLY
2	Z15570-01	ARM REST BRACKETRY
1	Z15550-01A	LHS ARM REST ASSEMBLY
1	Z17600-01*	LHS STD. ALU. LEGREST ASS'Y
1	Z17650-01*	RHS STD. ALU. LEGREST ASS'Y
1	Z10700-01	LHS BRAKE UNIT
2	Z15730-01	ALUMINIUM BRAKE CLAMP
1	Z10750-01	RHS BRAKE UNIT
2	Z17800-01	STEPPER TUBE / ANTI TIP ASS'Y
1	CU001	16" (40cm) CANVAS CUSHION

MODEL: XSSDTS16

XS 16" SUPER DELUXE WHEELCHAIR (TRANSIT)

QTY	CODE	DESCRIPTION
1	Z15010-01	CENTRE PIN ASSEMBLY
1	Z15020-01A*	XS RHS FRAME ASSEMBLY (07)
1	Z15030-01A*	XS LHS FRAME ASSEMBLY (07)
1	Z15110-01	16" RHS CROSS BR
1	Z15120-01	16" LHS CROSS BR
2	Z15180-01	CROSS BRACE SUPPORT AS'Y
1	Z15200-01A	16" TENSION ADJ SEAT CANVAS
1	Z15235-01	16" TENSION ADJ BACK CANVAS
1	Z15300-01A	ANGLE ADJ BACK POST ASS'Y
1	Z15325-01	PUSH HANDLE ASSEMBLY
1	Z15350-01	HALF-FOLD MECHANISM (RHS)
1	Z15360-01	HALF-FOLD MECHANISM (LHS)
2	Z15400-01	FRONT CASTOR ASSEMBLY
1	Z15425-01	RHS CASTOR HOUSING ASS'Y
1	Z15435-01	LHS CASTOR HOUSING ASS'Y
2	Z10450-01	QUICK RELEASE PIN
2	Z10480-01	12½" TRANSIT WHEEL
2	Z15490-01	AXLE PLATE ASSEMBLY
1	Z15500-01A	RHS ARM REST ASSEMBLY
2	Z15570-01	ARM REST BRACKETRY
1	Z15550-01A	LHS ARM REST ASSEMBLY
1	Z17600-01*	LHS STD. ALU. LEGREST ASS'Y
1	Z17650-01*	RHS STD. ALU. LEGREST ASS'Y
2	Z15730-01	ALUMINIUM BRAKE CLAMP
1	EB004	EB004 CABLE BRAKE KIT
2	Z17800-01	STEPPER TUBE / ANTI TIP ASS'Y
1	CU001	16" (40cm) CANVAS CUSHION 11
	Z15900-01A	LAP BELT

MODEL: XSSDSP18

XS 18" SUPER DELUXE WHEELCHAIR (SELF-PROPEL)

QTY	CODE	DESCRIPTION
1	Z15010-01	CENTRE PIN ASSEMBLY
1	Z15020-01A*	XS RHS FRAME ASSEMBLY (07)
1	Z15030-01A*	XS LHS FRAME ASSEMBLY (07)
1	Z15130-01	18" RHS CROSS BR
1	Z15140-01	18" LHS CROSS BR
2	Z15180-01	CROSS BRACE SUPPORT AS'Y
1	Z15210-01A	18" TENSION ADJ SEAT CANVAS
1	Z15255-01	18" TENSION ADJ BACK CANVAS
1	Z15300-01A	ANGLE ADJ BACK POST ASS'Y
1	Z15325-01	PUSH HANDLE ASSEMBLY
1	Z15350-01	HALF-FOLD MECHANISM (RHS)
1	Z15360-01	HALF-FOLD MECHANISM (LHS)
2	Z15400-01	FRONT CASTOR ASSEMBLY
1	Z15425-01	RHS CASTOR HOUSING ASS'Y
1	Z15435-01	LHS CASTOR HOUSING ASS'Y
2	Z10450-01	QUICK RELEASE PIN
2	Z15460-01	24" SELF PROPEL WHEEL
2	Z15470-01	AXLE PLATE ASSEMBLY
1	Z15500-01A	RHS ARM REST ASSEMBLY
2	Z15570-01	ARM REST BRACKETRY
1	Z15550-01A	LHS ARM REST ASSEMBLY
1	Z17600-01*	LHS STD. ALU. LEGREST ASS'Y
1	Z17650-01*	RHS STD. ALU. LEGREST ASS'Y
1	Z10700-01	LHS BRAKE UNIT
2	Z15730-01	ALUMINIUM BRAKE CLAMP
1	Z10750-01	RHS BRAKE UNIT
2	Z17800-01	STEPPER TUBE / ANTI TIP ASS'Y
1	CU002	18" (45cm) CANVAS CUSHION

MODEL: XSSDTS18

XS 18" SUPER DELUXE WHEELCHAIR (TRANSIT)

QTY	CODE	DESCRIPTION
1	Z15010-01	CENTRE PIN ASSEMBLY
1	Z15020-01A*	XS RHS FRAME ASSEMBLY (07)
1	Z15030-01A*	XS LHS FRAME ASSEMBLY (07)
1	Z15130-01	18" RHS CROSS BR
1	Z15140-01	18" LHS CROSS BR
2	Z15180-01	CROSS BRACE SUPPORT AS'Y
1	Z15210-01A	18" TENSION ADJ SEAT CANVAS
1	Z15255-01	18" TENSION ADJ BACK CANVAS
1	Z15300-01A	ANGLE ADJ BACK POST ASS'Y
1	Z15325-01	PUSH HANDLE ASSEMBLY
1	Z15350-01	HALF-FOLD MECHANISM (RHS)
1	Z15360-01	HALF-FOLD MECHANISM (LHS)
2	Z15400-01	FRONT CASTOR ASSEMBLY
1	Z15425-01	RHS CASTOR HOUSING ASS'Y
1	Z15435-01	LHS CASTOR HOUSING ASS'Y
2	Z10450-01	QUICK RELEASE PIN
2	Z10480-01	12½" TRANSIT WHEEL
2	Z15470-01	AXLE PLATE ASSEMBLY
1	Z15500-01A	RHS ARM REST ASSEMBLY
2	Z15570-01	ARM REST BRACKETRY
1	Z15550-01A	LHS ARM REST ASSEMBLY
1	Z17600-01*	LHS STD. ALU. LEGREST ASS'Y
1	Z17650-01*	RHS STD. ALU. LEGREST ASS'Y
2	Z15730-01	ALUMINIUM BRAKE CLAMP
1	EB004	EB004 CABLE BRAKE KIT
2	Z17800-01	STEPPER TUBE / ANTI TIP ASS'Y
1	CU002	18" (45cm) CANVAS CUSHION
1	Z15900-01A	LAP BELT



TITLE:

XS SUPER DX (FROM 2007)
XS SUPER DELUXE PART LIST
PARTS CATALOGUE

DATE:

16/10/06

SHEET No:

10 OF 10

DRAWN:

PMK

CHECKED:

REVISION No:

-

SCALE:

NTS

DWG No:

Z15000-A