

步驟一  
PROCESS ONE

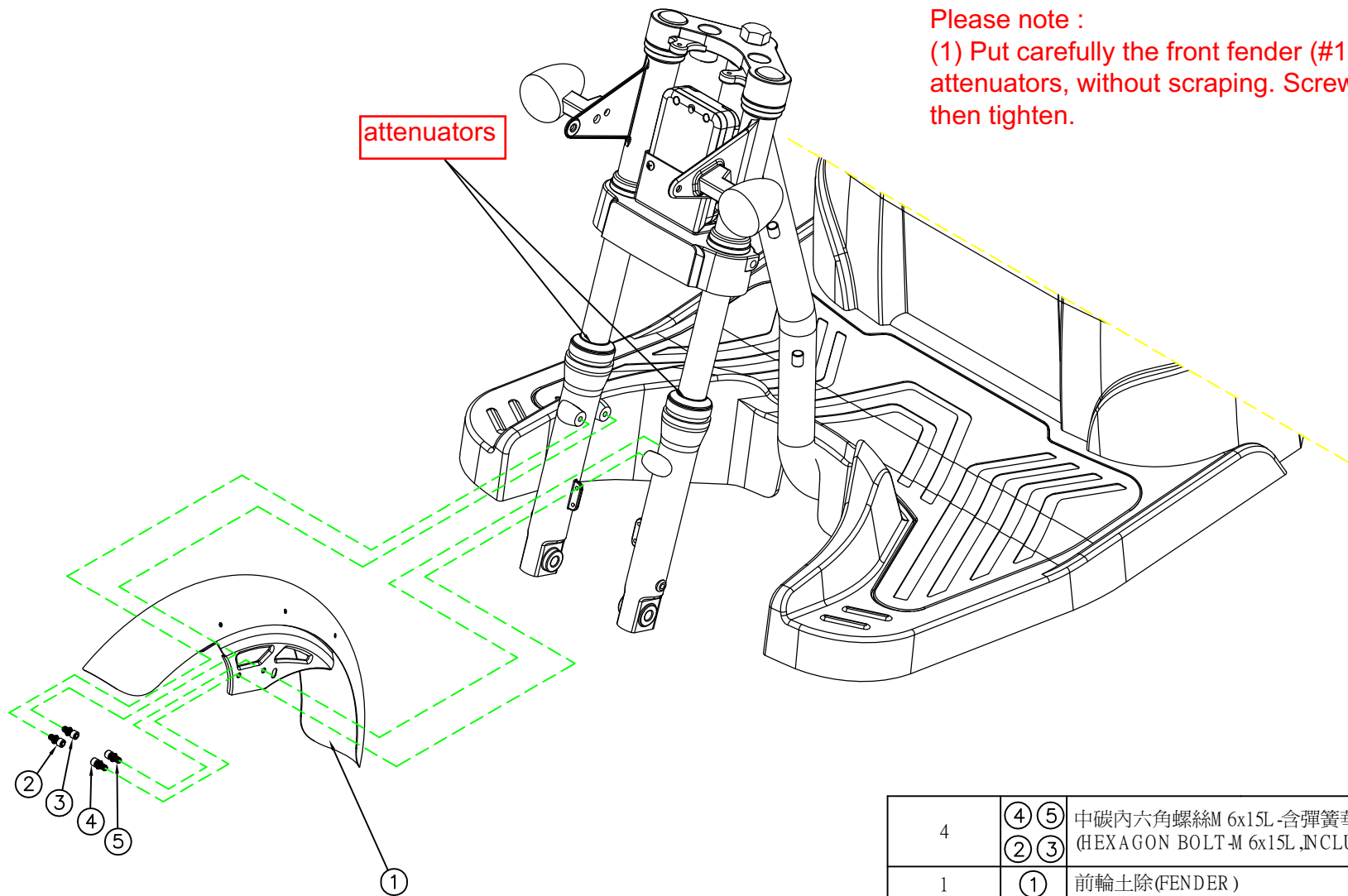
前輪土除組裝  
FENDER ASSEMBLY

Please follow below assembly steps  
in the correct order :

① → ② → ③ → ④ → ⑤

Please note :

(1) Put carefully the front fender (#1) between two  
attenuators, without scraping. Screw in #2~#5  
and then tighten.



4	④ ⑤ ② ③	中碳內六角螺絲M 6x15L-含彈簧華司 (HEXAGON BOLT-M 6x15L,INCLUDE SPRING WASHER)
1	①	前輪土除(FENDER)
QUANTITY 數量	SYMBOL 記號	DRN NAME 件名

步驟二  
PROCESS TWO

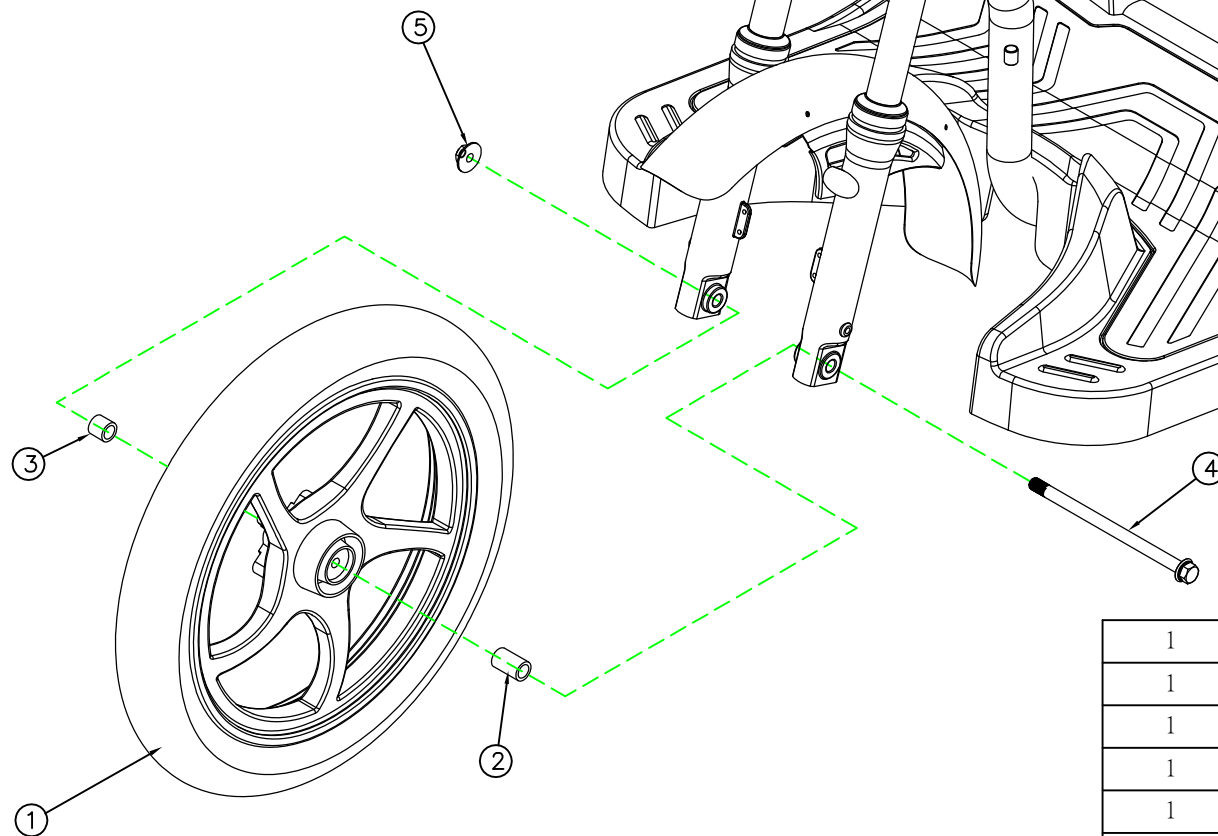
前輪組裝  
FRONT TIRE ASSEMBLY

Please follow below assembly steps  
in the correct order :

① → ② → ③ → ④ → ⑤

Please note :

Insert spacers #2 and #3 in the front wheel, then put the front wheel between two attenuators. Pass the front axle through front wheel. Screw in the nut #5 and tighten.



1	⑤	U凸螺帽(NUT)
1	④	前車心-M 12X 205L (AXLE-M 12x205L)
1	③	前叉間隔管，短-18L (SPACER，SHORT-18L)
1	②	前叉間隔管，長-32.5L (SPACER，LONG-32.5L)
1	①	前輪(FRONT TIRE)
QUANTITY 數量	SYMBOL 記號	DRN NAME 件名

步驟三  
PROCESS THREE

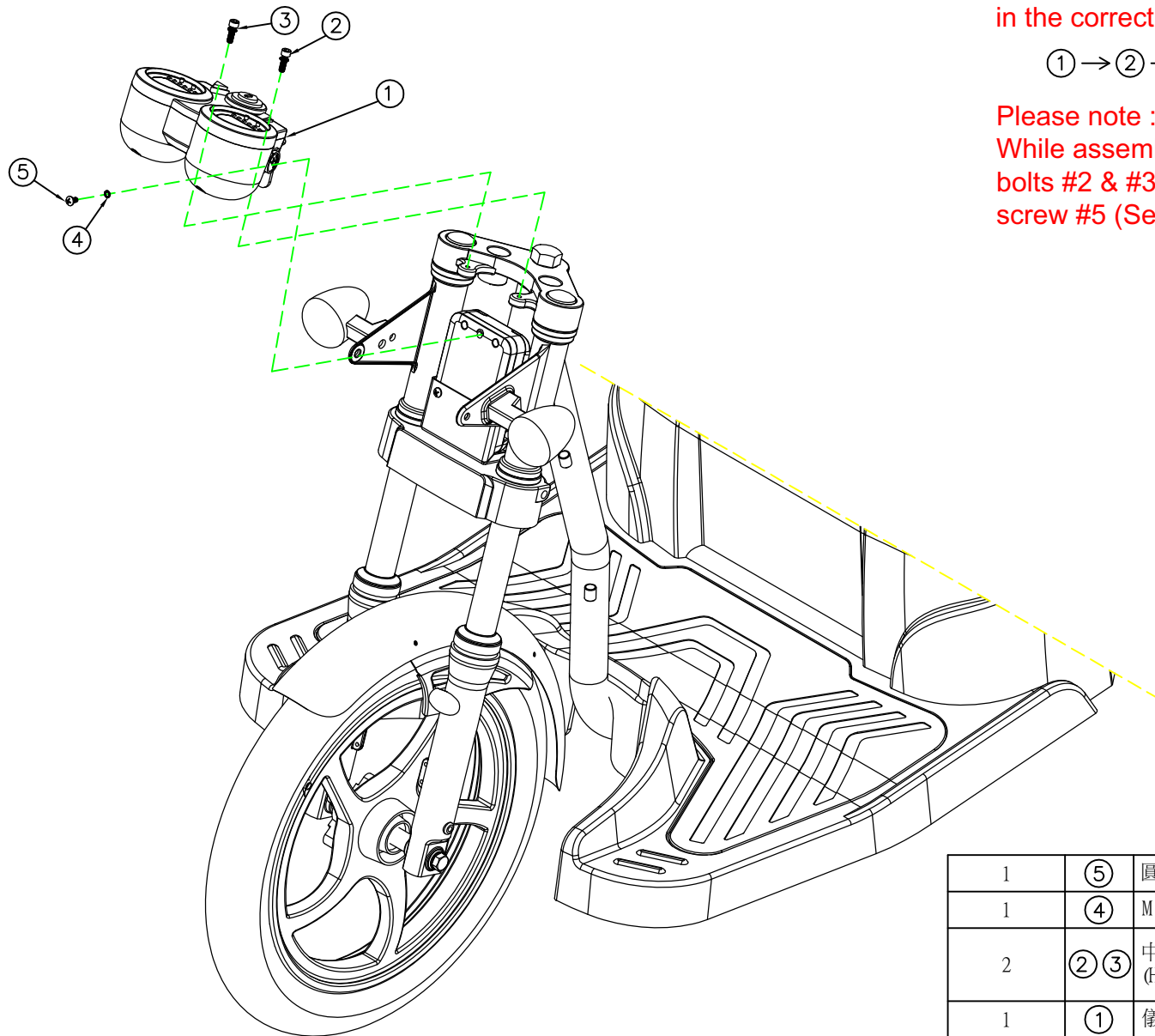
儀錶板組裝  
FASCIA ASSEMBLY

Please follow below assembly steps  
in the correct order :

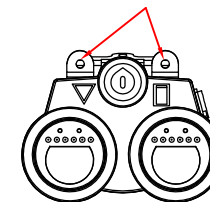
① → ② → ③ → ④ → ⑤

Please note :

While assembling fascia #1, please screw in lightly hexagon bolts #2 & #3 (See Fascia Ass'y Top), then tighten. Then, screw #5 (See Fascia Ass'y Front).

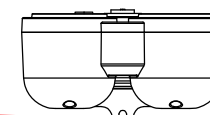


(HEXAGON BOLT SCREW  
ON THIS POSITION)



儀表板上視圖  
(FASCIA ASS'Y TOP)

十字螺絲鎖付位置  
(BOLT SCREW  
ON THIS POSITION)



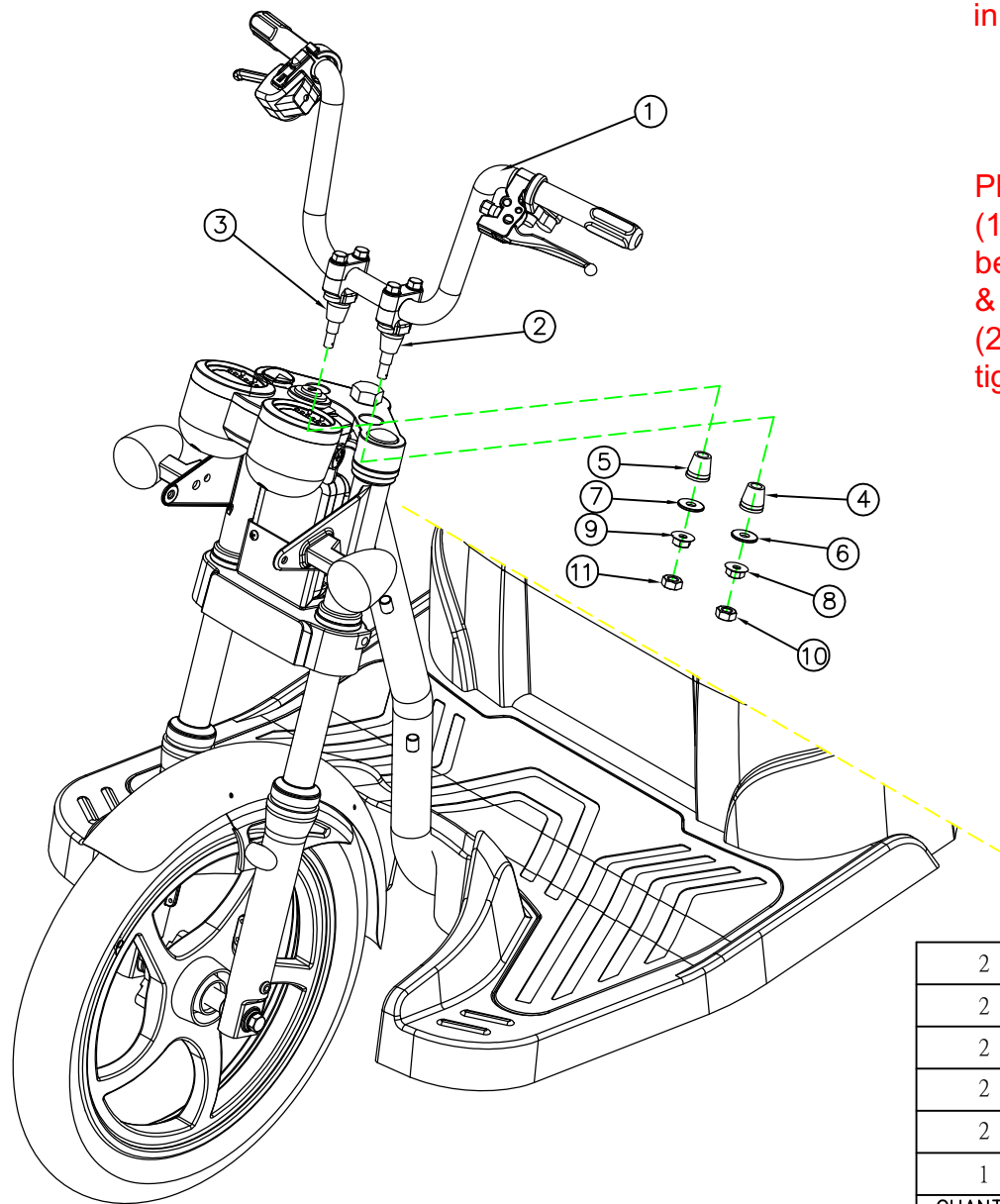
儀表板前視圖  
(FASCIA ASS'Y FRONT)

1	⑤	圓頭十字螺絲 5X10L (BOLT M 5X10L)
1	④	M 5彈簧華司 (SPRING WASHER-M 5)
2	② ③	中碳內六角螺絲 6x20L-含彈簧華司 (HEXAGON BOLT-M 6x20L ,INCLUDE SPRING WASHER)
1	①	儀錶板總成 (FASCIA ASSY)

QUANTITY 數量	SYMBOL 記號	DRN NAME 件名
----------------	--------------	----------------

步驟四  
PROCESS FOUR

把手組裝  
HANDLEBARS ASSEMBLY



Please follow below assembly steps  
in the correct order :

- ① → ② → ③ → ④ → ⑤ → ⑥ → ⑦ → ⑧ → ⑨ → ⑩ → ⑪

Please note :

- (1) Before assembling handlebar, please take off at first below parts from it : rubber gaskets #4 & #5, washers #6 & #7, and nuts #8 & #9.
- (2) Then, assemble above parts in the correct order, and tighten nuts #8 ~ #11 properly.

2	⑩ ⑪	M 10螺帽(NUT-M 10)
2	⑧ ⑨	M 10鎖付螺帽-附華司(NUT-M 10, ATTACH W ASHER )
2	⑥ ⑦	M 10平華司(WASHER-M 10)
2	④ ⑤	橡皮墊圈(RUBBER GASKET)
2	② ③	橡皮墊圈(RUBBER GASKET)
1	①	把手總成(HANDLEBARS ASSY)
QUANTITY	SYMBOL	DRN NAME
數量	記號	件 名

步驟五  
PROCESS FIVE

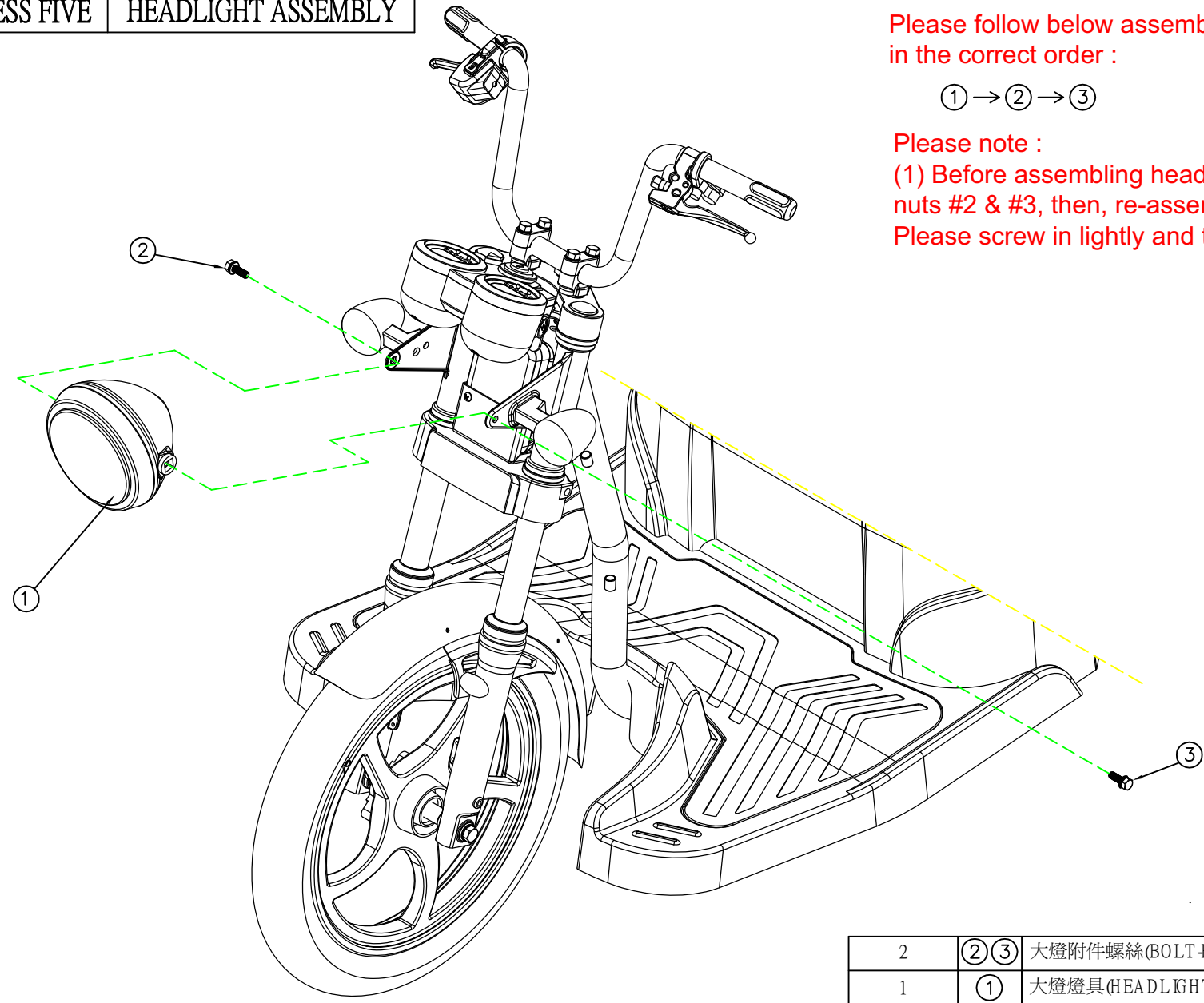
大燈組裝  
HEADLIGHT ASSEMBLY

Please follow below assembly steps  
in the correct order :

① → ② → ③

Please note :

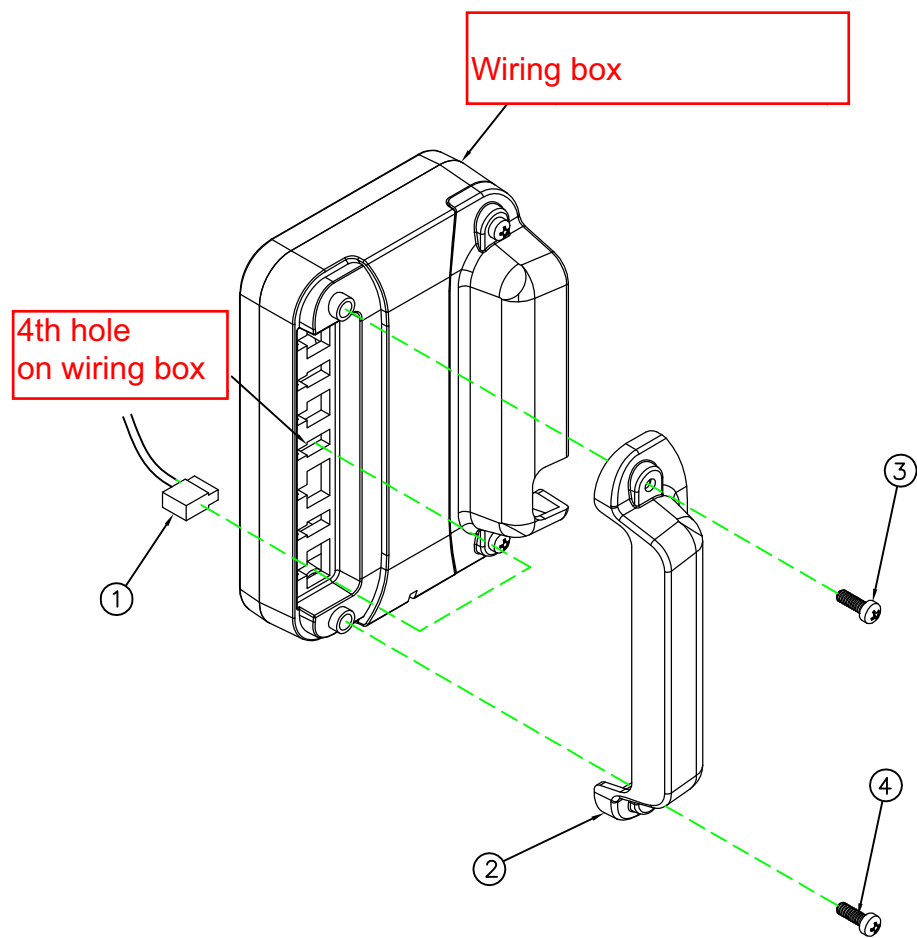
(1) Before assembling headlight, please take off at first  
nuts #2 & #3, then, re-assemble them in the correct order.  
Please screw in lightly and then tighten.



2	②③	大燈附件螺絲(BOLT HEADLIGHT APPENDIX)
1	①	大燈燈具(HEADLIGHT)
QUANTITY 數量	SYMBOL 記號	DRN NAME 件名

步驟六  
PROCESS SIX

大燈線組裝  
HEADLIGHT WIRE ASSEMBLY

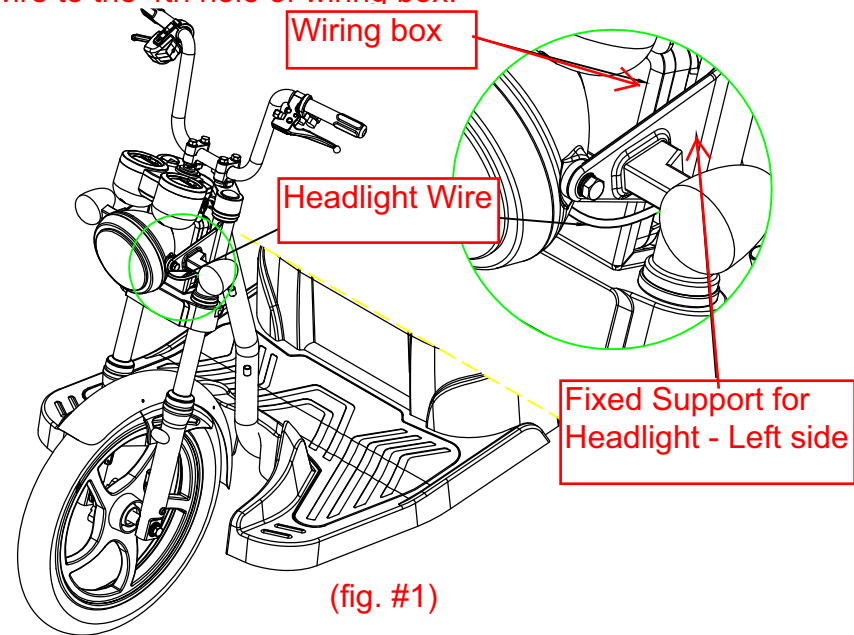


Please follow below assembly steps in the correct order :

① → ② → ③ → ④

Please note :

- (1) Pass through the headlight wire under the headlight, between left fixed support and wiring box, then connect to the 4th hole on the wiring box. (Please see fig. #1)
- (2) Before connecting headlight wire, you need to loosen the nuts #3 & #4 on wire cover #2.
- (3) Fasten wire cover with nuts after connecting headlight wire to the 4th hole of wiring box.



1	③ ④	圓頭十字螺絲M 4X 12L.(BOLT-M 4X 12L)
1	②	配線壓板(WIRE COVER)
1	①	大燈接頭(HEADLIGHT PLUG)
QUANTITY 數量	SYMBOL 記號	DRN NAME 件名