

COLOUR-CODED PARTS:

POD LOWER ASSEMBLY:

- S08-009-01211 (RED)
- S08-009-01254 (BLUE)
- S08-009-01271 (SILVER)

FOOTWELL SHROUD ASS'Y:

- S08-040-00111 (RED)
- S08-040-00154 (BLUE)
- S08-040-00171 (SILVER)

BATTERY SHROUD ASS'Y:

- S08-040-00211 (RED)
- S08-040-00254 (BLUE)
- S08-040-00271 (SILVER)

S05-023-00100 FRONT WHEEL ASS'Y

SEPERATE COMPONENTS AVAILABLE:

- FROM THE FOOTWELL SHROUD AS'Y
- C26-040-00200: RH RUBBER FOOT MAT
 - C26-040-00100: LH RUBBER FOOT MAT

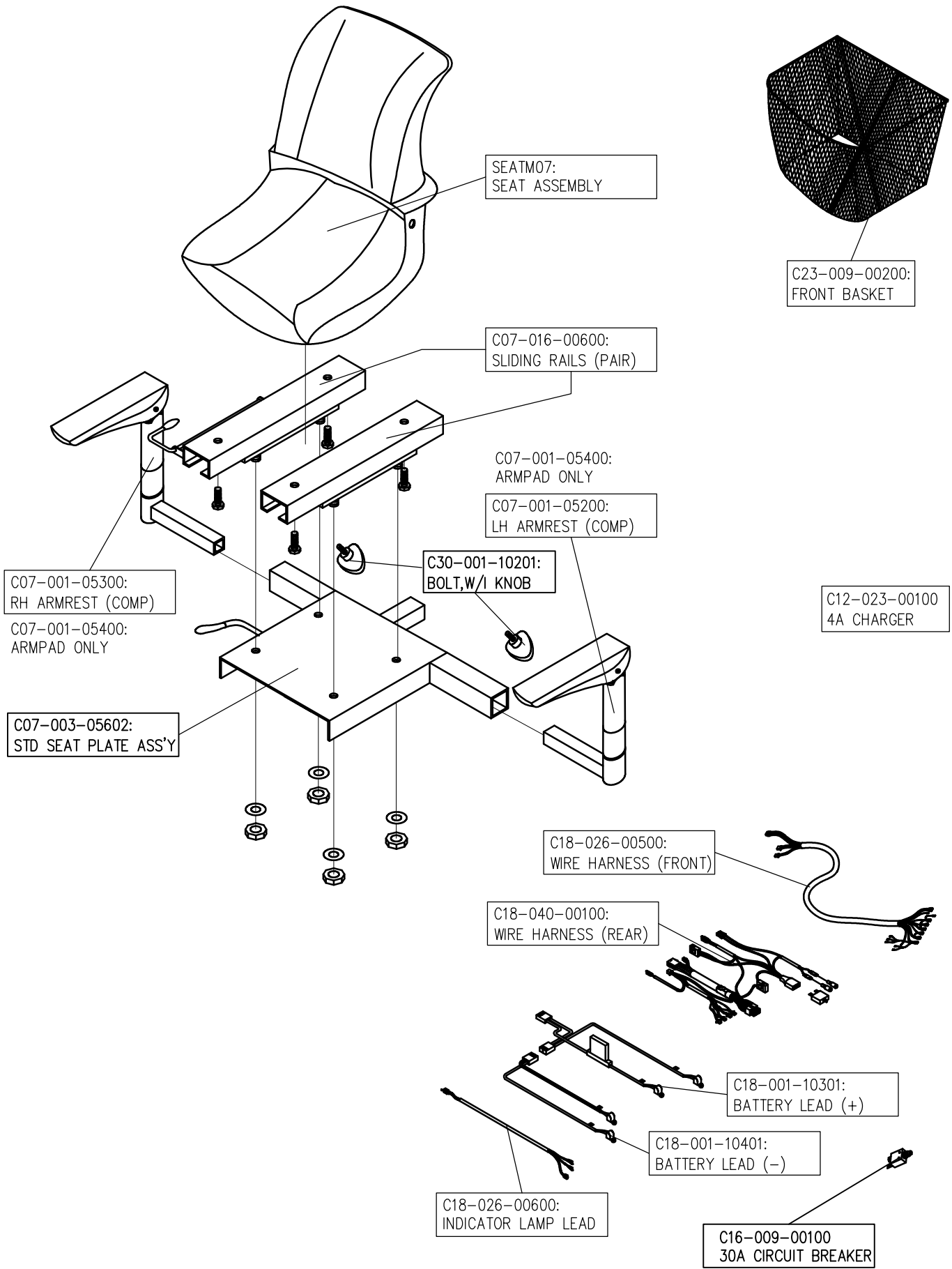
- FROM THE DRIVE ASSEMBLY:
- C09-005-00100: 450W MOTOR
 - C09-026-00500: TRANSAXLE
 - C09-040-00801: EM BRAKE (C/W MICROSWITCH)
 - L40900600020: CARBON BRUSH
 - L40901300020: CARBON BRUSH CAP

- FROM THE FRAME:
- C28-027-00100 - ANTI-TIP WHEEL

- FROM THE TILLER POD:
- S12-009-00800 - THROTTLE POT
 - M41100300000 - BATTERY GAUGE
 - 3D3701100000 - KEYS
 - M41610104000 - LIGHTS SWITCH
 - M41610202000 - HORN BUTTON
 - 3D1800500000 - IGNITION
 - C16-005-00300 - INDICATOR SWITCH

- FROM THE FRONT SHROUD AS'Y:
- C01-040-00200: BUMPER
 - C13-040-00200: HEADLAMP
 - C15-040-00200: INDICATOR LAMP

- FROM THE REAR SHROUD AS'Y:
- C16-029-00100: LH REAR LAMP
 - C16-029-00200: RH REAR LAMP



REV No.	DETAILS	DATE	DRAWN
A	REVISED PART NUMBER	13-8-13	PMK

driveTM

Ainley's Industrial Estate, Eland HX5 9JP
T: +44 (0) 1422 314488
E: enquiries@drivemedical.co.uk
W: www.drivemedical.co.uk/technical

TITLE:



NEO 6 SCOOTER (MS041)
PARTS CATALOGUE

DATE: 30/10/07

SHEET No: 2 OF 2

DRAWN: PMK

CHECKED:

REVISION No: -

SCALE: NTS

DWG No: Z40942