

COLOUR-CODED PARTS:

POD LOWER ASSEMBLY:

- S08-026-00711 (RED)
- S08-026-00754 (BLUE)
- S08-026-00771 (SILVER)

FOOTWELL SHROUD ASS'Y:

- S08-040-00111 (RED)
- S08-040-00154 (BLUE)
- S08-040-00171 (SILVER)

BATTERY SHROUD ASS'Y:

- S08-040-00211 (RED)
- S08-040-00254 (BLUE)
- S08-040-00271 (SILVER)

SEPERATE COMPONENTS AVAILABLE:

FROM THE FOOTWELL SHROUD AS'Y

- C26-040-00200: RH RUBBER FOOT MAT
- C26-040-00100: LH RUBBER FOOT MAT

FROM THE DRIVE ASSEMBLY:

- L40900300000: 500W MOTOR
- C09-026-00500: TRANSAXLE
- C09-040-01201: EM BRAKE (C/W MICROSWITCH)
- L40900600020: CARBON BRUSH
- L40901300020: CARBON BRUSH CAP

FROM THE FRAME:

- C28-027-00100: ANTI-TIP WHEEL

FROM THE TILLER POD:

- S12-009-00800 - THROTTLE POT
- M41100300000 - BATTERY GAUGE
- 3D37011000000 - KEYS
- M41610104000 - LIGHTS SWITCH
- M41610202000 - HORN BUTTON
- 3D18005000000 - IGNITION
- C16-005-00300 - INDICATOR SWITCH

FROM THE FRONT SHROUD AS'Y:

- C01-040-00200: BUMPER
- C13-040-00200: HEADLAMP
- C15-040-00200: INDICATOR LAMP

FROM THE REAR SHROUD AS'Y:

- C16-029-00100: LH REAR LAMP
- C16-029-00200: RH REAR LAMP



Ainley's Industrial Estate, Eiland HX5 9JP
 T: +44 (0) 1422 314488
 E: enquiries@medicaretechnology.com
 W: www.medicaretechnology.com/technical

TITLE:



NEO 8 SCOOTER (MS042)
 PARTS CATALOGUE

DATE:

29/10/07

SHEET No:

1 of 2

DRAWN:

PMK

CHECKED:

REVISION No:

-

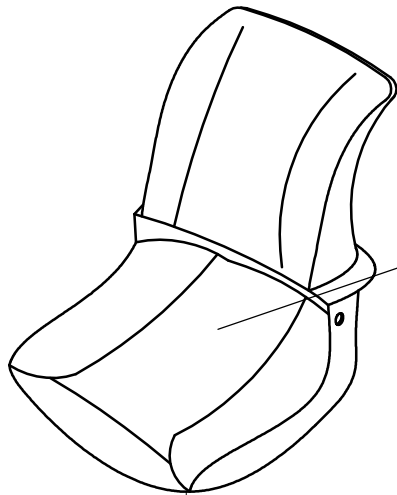
SCALE:

NTS

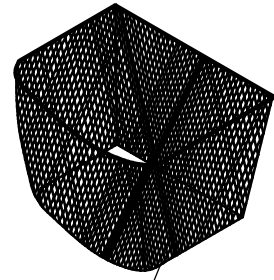
DWG No:

Z40941

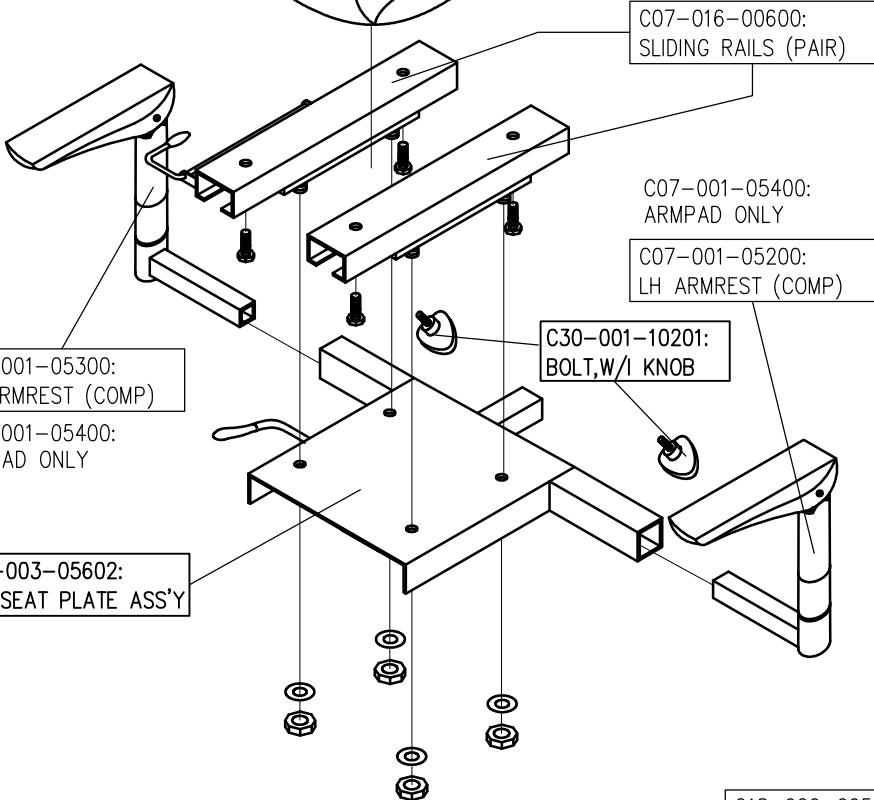
REV No.	DETAILS	DATE	DRAWN
A	REVISED PARTS LIST	13-8-13	PMK



SEATM07:
SEAT ASSEMBLY



C23-009-00200:
FRONT BASKET



C07-016-00600:
SLIDING RAILS (PAIR)

C07-001-05400:
ARMPAD ONLY

C07-001-05200:
LH ARMREST (COMP)

C07-001-05300:
RH ARMREST (COMP)

C07-001-05400:
ARMPAD ONLY

C07-003-05602:
STD SEAT PLATE ASS'Y

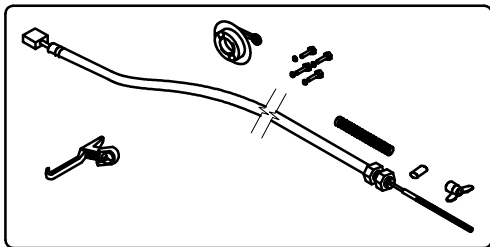
C30-001-10201:
BOLT,W/I KNOB

C12-023-00100
4A CHARGER

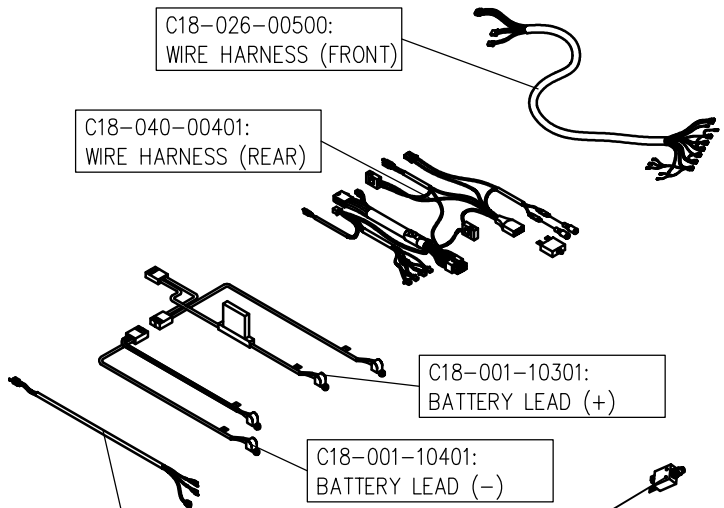
NOTE: THE COMPLETE NEO 8 WIRING LOOM IS AVAILABLE (CODE: S18-040-00200)

C18-026-00500:
WIRE HARNESS (FRONT)

C18-040-00401:
WIRE HARNESS (REAR)



S35-026-00100:
CABLE BRAKE ASS'Y



C18-001-10301:
BATTERY LEAD (+)

C18-001-10401:
BATTERY LEAD (-)

C18-026-00700:
REAR LTG LEAD

C16-009-00100
30A CIRCUIT BREAKER



Ainley's Industrial Estate, Eland HX5 9JP
T: +44 (0) 1422 314488
E: enquiries@medicaretechnology.com
W: www.medicaretechnology.com/technical

TITLE:



NEO 8 SCOOTER (MS042)
PARTS CATALOGUE

DATE: 29/10/07

SHEET No: 2 OF 2

DRAWN: PMK

CHECKED:

REVISION No: -

SCALE: NTS

DWG No: Z40941