

Park House
Healthcare
By *drive*



2016

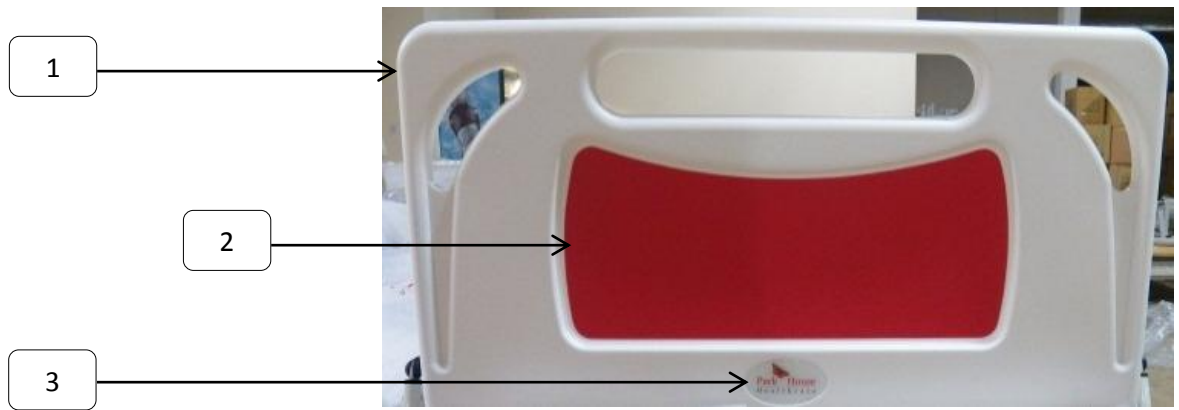
Endeavour 3000 Bed Parts List



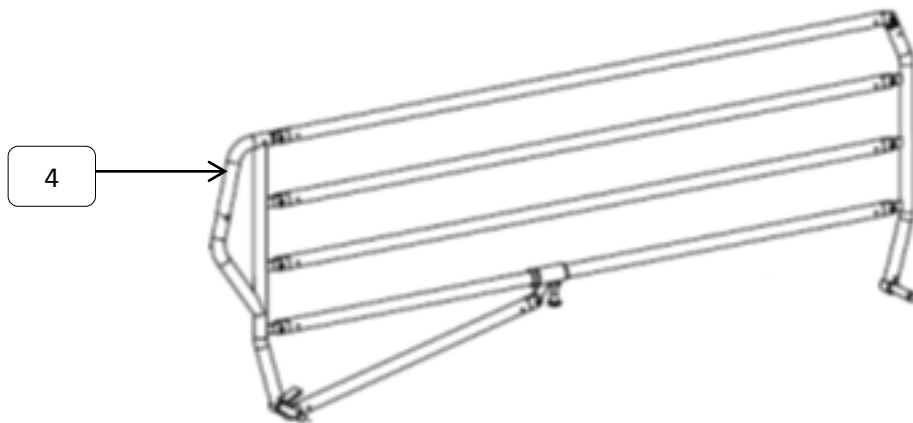
L. Parry (Technical)

Park House Healthcare Ltd

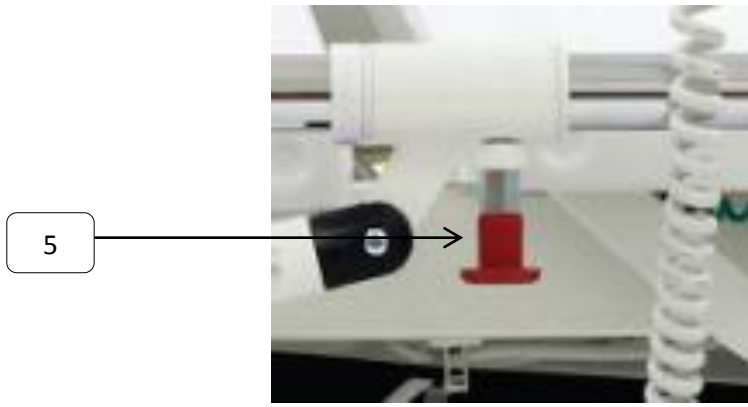
03 Feb 2016



1	HEAD/FOOTBOARD Blank (NO insert) Endeavour 3000 bed	3009010025
1a	HEAD/FOOTBOARD (Red Insert) Endeavour 3000 bed	3009010057
1b	HEAD/FOOTBOARD (Blue Insert) Endeavour 3000 bed	3009010056
2	LABEL H/F Fascia PALE PINK Laminated MRPVC High tack	6004990029
2a	LABEL H/F Fascia STD Blue Laminated MRPVC High Tack	6004990055
2b	LABEL H/F Fascia PEACH Laminated MRPVC High tack	6004990030
2c	LABEL H/F Fascia MINT GREEN Laminated MRPVC High tack	6004990028
2d	LABEL H/F Fascia STD RED Laminated MRPVC High tack	6004990062
2e	LABEL H/F Fascia Pale Blue Laminated MRPVC High tack	6004990021
2f	LABEL H/F Fascia LILAC Laminated MRPVC High tack	6004990027
3	LABEL Badge/Label Moulded Oval 100x55mm P-House Logo	6004990002

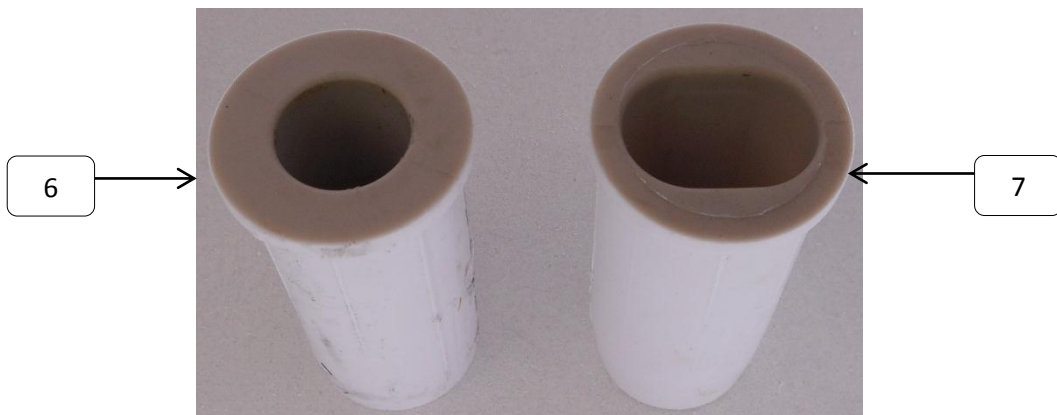


4	SIDERAIL 4-Bar for Endeavour3000/RUL (Pair)	3009980001
4a	SIDERAIL Paediatric 5-Bar for Endeavour3000 /RUL (Pair)	3009980072



5 PIN Release Siderail Red

3009060055



6 INSERT Plastic Mounting Circular H/F boards

3009060075

7 INSERT Plastic Mounting Oval H/F boards

3009060076

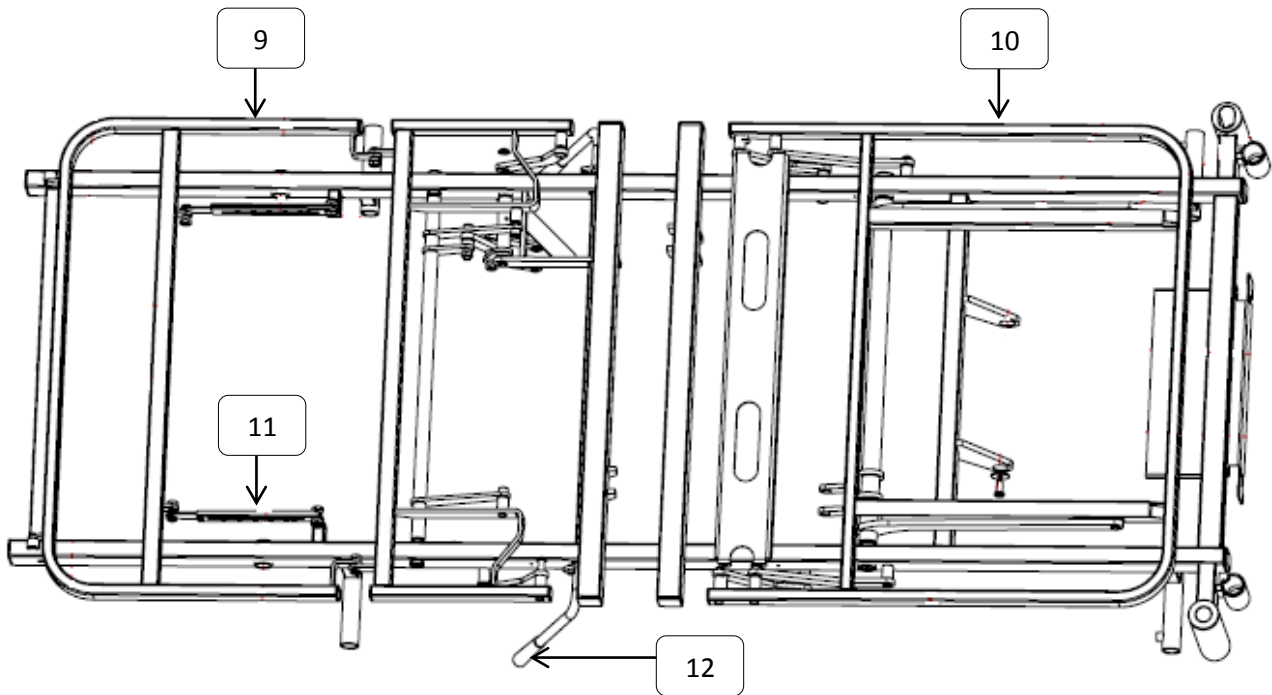


8 HOOK Bag Urine for Endeavour3000

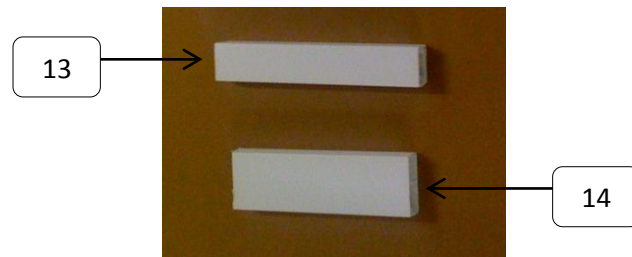
3009010039

Foot

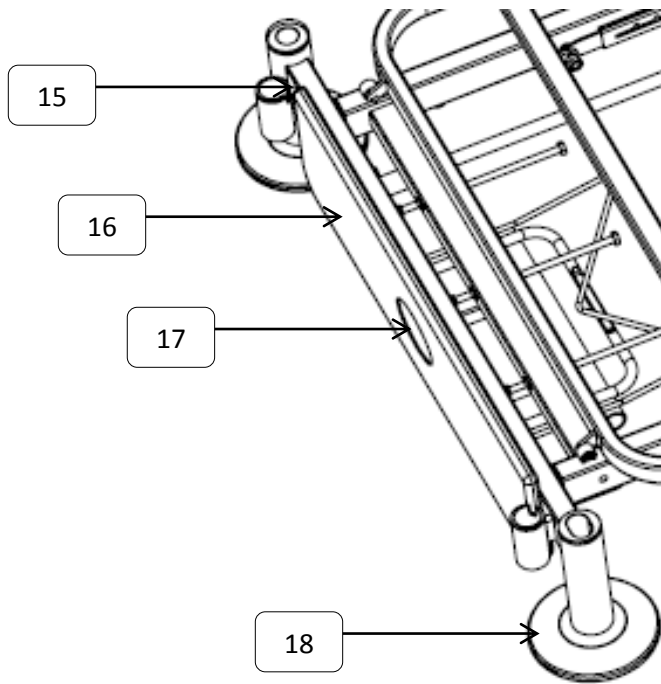
Head



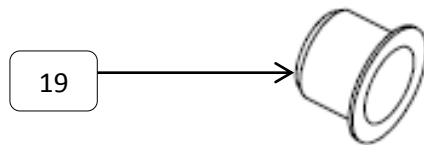
- | | | |
|----|--|------------|
| 9 | PLATFORM Calfreast Frame for Endeavour 3000 | 3009010024 |
| 10 | PLATFORM Backrest Frame for Endeavour 3000 | 3009010023 |
| 11 | RATCHET Calf Raise Section Endeavour Eco/Lite/Deluxe | 3009010047 |
| 12 | HANDLE CPR for Endeavour3000 | 3009010046 |



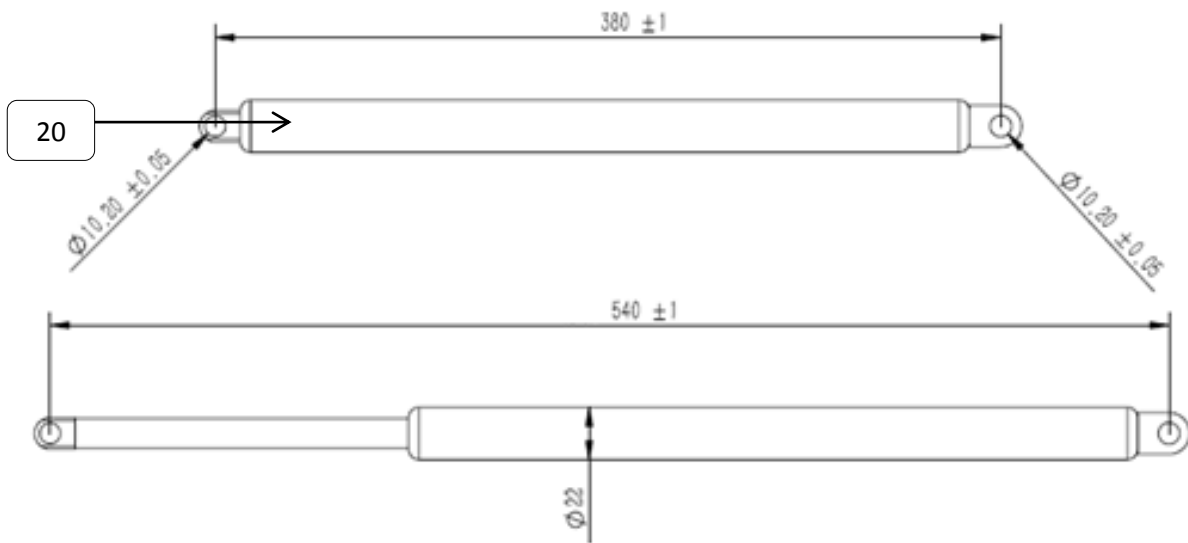
- | | | |
|----|--|------------|
| 13 | TRUNKING 16mmx25mmx1m for Endeavour 3000 | 3009010031 |
| 14 | TRUNKING 16mmx38mmx1m for Endeavour 3000 | 3009010032 |



- | | | |
|----|--|------------|
| 15 | EXTENSION Frame inc Linen tray Endeavour 3000 | 3009010049 |
| 16 | TRAY Extension Linen Endeavour 3000 | 3009010053 |
| 17 | LABEL Badge/Label Moulded Oval 99x55mm Endeavour 3000 logo | 6004990003 |
| 18 | BUFFER Wheel for Endeavour3000 | 3009010035 |



- | | | |
|----|-------------------------------------|------------|
| 19 | BUSH Support Arm Endeavour 3000 bed | 3009010060 |
|----|-------------------------------------|------------|



- | | | |
|----|---|------------|
| 20 | DAMPER Unit Anti-freeze filled Endeavour 3000 | 3009010054 |
|----|---|------------|



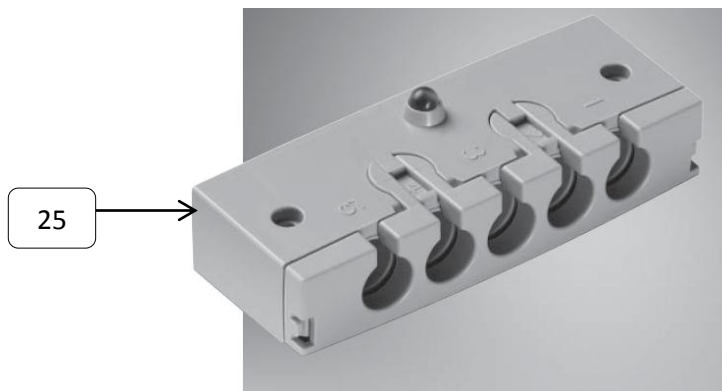
- 21 CASTOR Braked 3-Function for Endeavour 3000
- 22 CASTOR Swivel for Endeavour3000

3009010020
3009010033



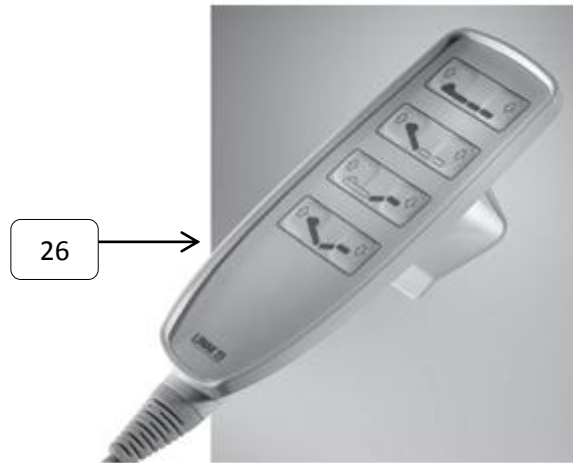
- 23 CONTROL BOX inc Battery & Cable Clip for Endeavour3000
- 24 CLIP Cable Control box CB16 Grey Linak Endeavour 3000 bed
LEAD Mains Orange

3009010002
3009010018
3009980048



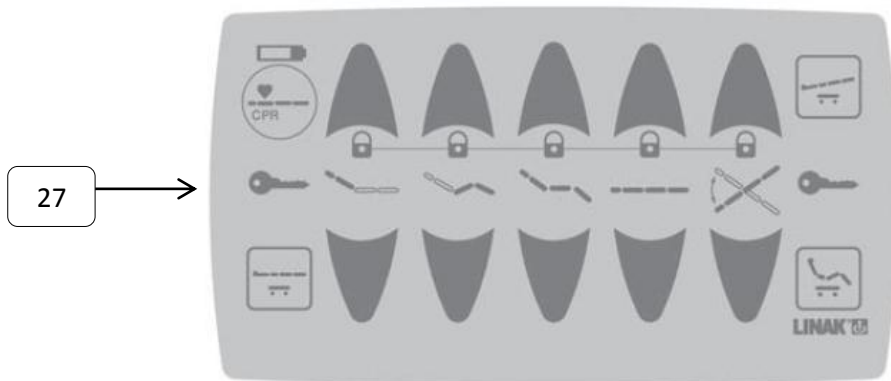
- 25 MJB for Under Bed Light for Endeavour3000
- 25a MJB Under bed light for Endeavour3000
PLUG Blind Minifit with O Ring Endeavour 3000 Bed

3009010005
3009010006
3009010052



26 HANDSET Patient for Endeavour3000

3009010007



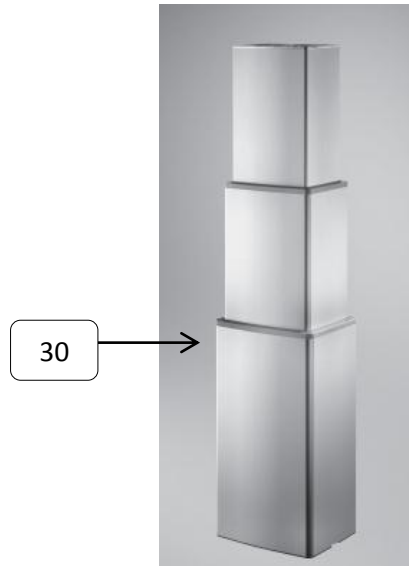
27 HANDSET Nurse lockout module inc Cable Clip Endeavour3000
CLIP Cable Nurse Handset White Linak Endeavour 3000 bed

3009010015
3009010048



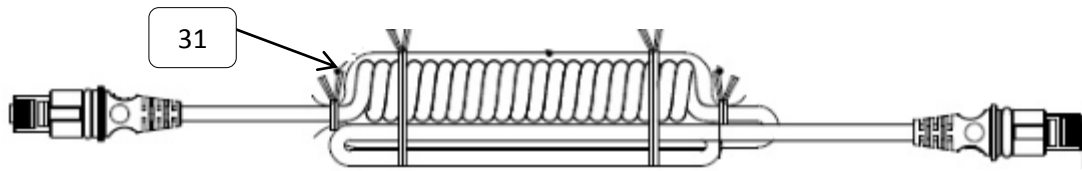
28 ACTUATOR Back Linak for Endeavour3000
29 ACTUATOR Knee for Endeavour300 (27253FJ1109002B)

3009010004
3009010014



30 ACTUATOR Main Column for Endeavour3000

3009010013

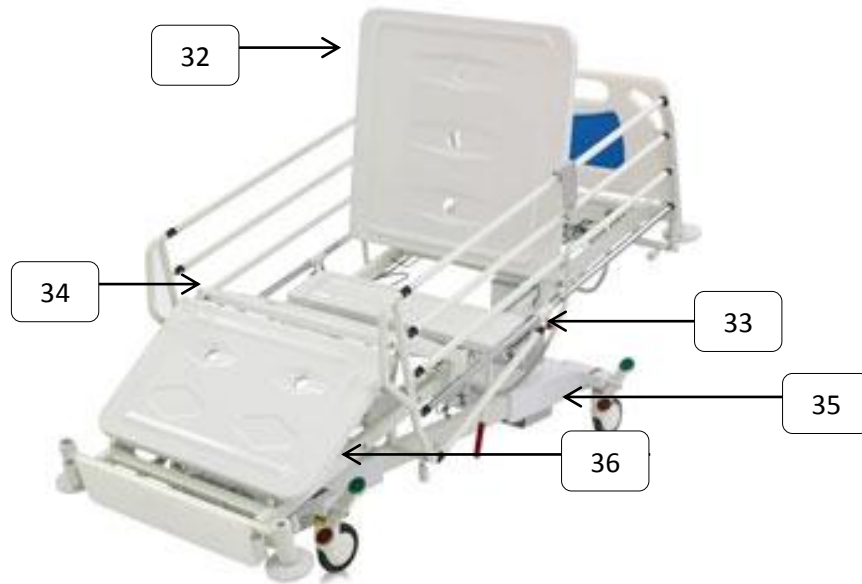


31 LEAD Short Coiled MJB P1 to ACO for Endeavour3000

3009010016

Actuator Lead Locations

From	To	Description	Code
Control box	Column motor - head end	LEAD 500mm CB16 P2 to Actuator Column Head end	3009010010
Control box	Column motor - foot end	LEAD 2500mm CB16 P4 to Actuator Column Foot end	3009010012
Control box	Back rest actuator	LEAD 1700mm CB16 P1 to Back & CB16 P3 to Knee	3009010011
Control box	Knee break actuator		
Control box	Junction box	LEAD 2500mm MJB to CB16 Port A & Port B Endeavour 3000 bed	3009010041



- | | | |
|----|---|------------|
| 32 | PANEL Cover ABS Backrest for Endeavour3000 | 3009010027 |
| 33 | PANEL Cover ABS Fixed Section for Endeavour3000 | 3009010029 |
| 34 | PANEL Cover ABS Thigh rest for Endeavour3000 | 3009010030 |
| 35 | COVER Base Plastic ABS for Endeavour 3000 | 3009010036 |
| 36 | PANEL Cover ABS Calf rest for Endeavour3000 | 3009010028 |



- | | | |
|----|--|------------|
| 37 | IV POLE / DRIP STAND for RUL/Endeavour/Kingston/Hetton bed | 3009060025 |
| 38 | POLE IV 2-Hook Hetton/ Endeavour3000/Kingston/RUL Beds | 3009070011 |