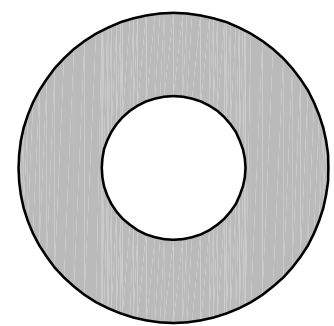
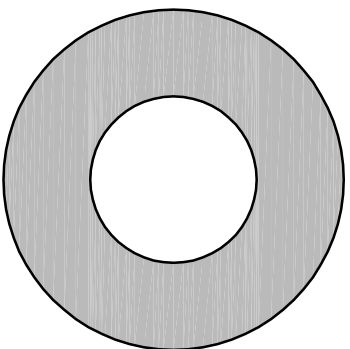


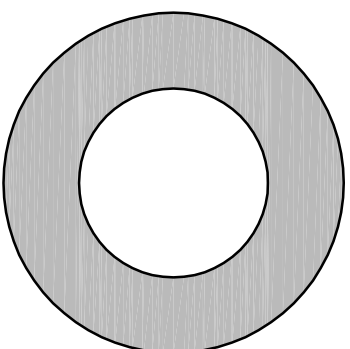
FER16:
FERRULE, 16mm TUBE,
29mm BASE, GREY



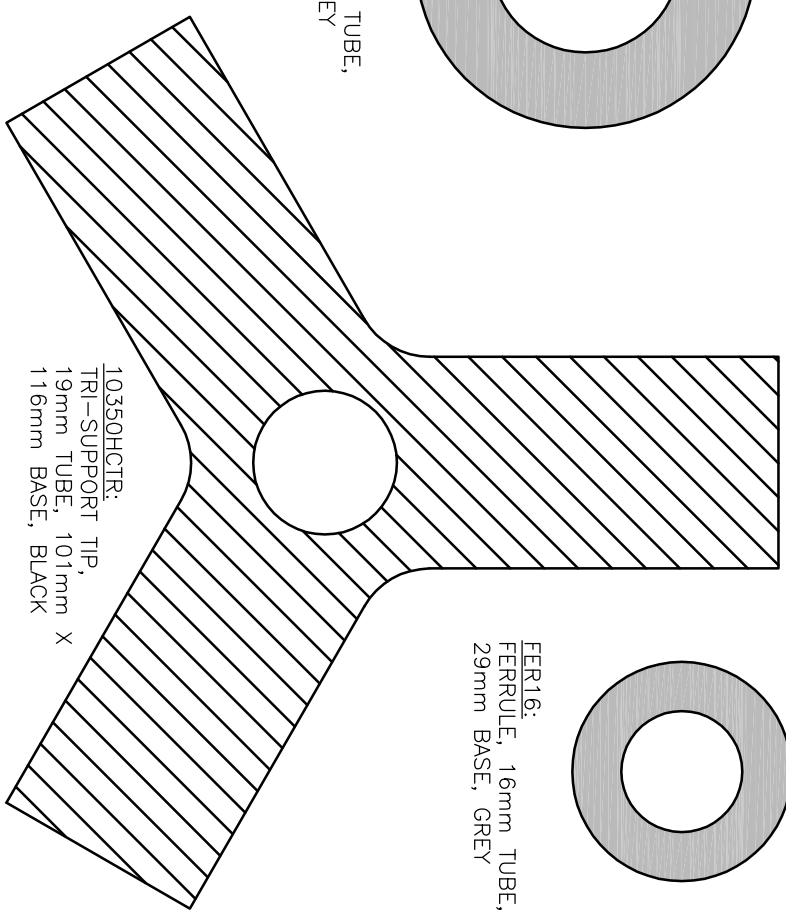
FER19:
FERRULE, 19mm TUBE,
41mm BASE, GREY



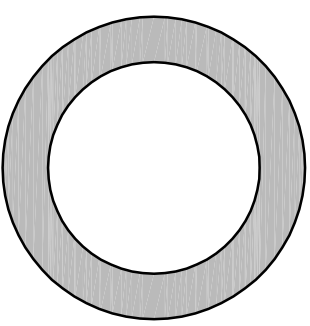
FER22:
FERRULE, 22mm TUBE,
45mm BASE, GREY



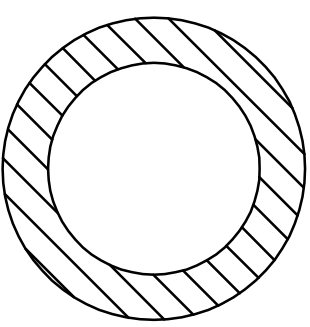
FER25:
FERRULE, 25mm TUBE,
45mm BASE, GREY



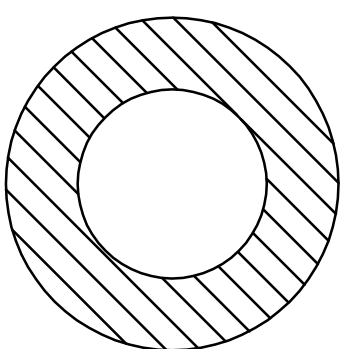
10350HCTR:
TRI-SUPPORT TIP,
19mm TUBE, 101mm X
116mm BASE, BLACK



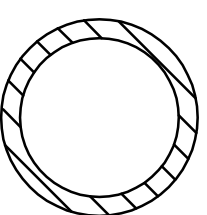
FER28S:
FERRULE, 28mm TUBE,
40mm BASE, GREY



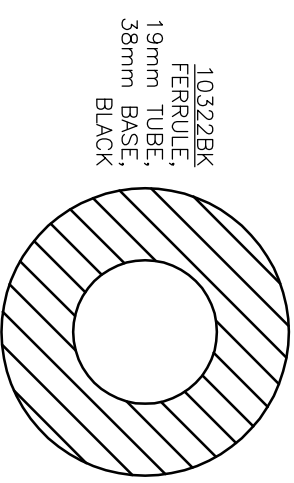
FER28SBK:
FERRULE, 28mm TUBE,
40mm BASE, BLACK



10383BK:
CANE TIP, 25mm
TUBE, 44mm BASE,
BLACK



FER22SBK:
CANE TIP, 22mm
TUBE, 29mm
BASE, BLACK



10322BK
FERRULE,
19mm TUBE,
38mm BASE,
BLACK

METRIC TO IMPERIAL MEASUREMENTS:
16mm ($\frac{5}{8}$ "), 19mm ($\frac{3}{4}$ "), 22mm ($\frac{7}{8}$ "),
25mm (1"), 28mm ($1\frac{1}{8}$ ")

NOTES:

THE ABOVE DIAGRAMS ARE LIFE SIZE. TO USE THE CHART, PLACE THE FERRULE OVER THE LARGER OUTER CIRCLE AND THE TUBE OVER THE INNER SMALLER CIRCLE TO DETERMINE THE TYPE OF FERRULE REQUIRED.

TITLE:

**DRIVE UK FERRULES
FOR WALKING AIDS**

DATE: 04/06/14

SHEET No: 1 of 1

DRAWN: PMK

CHECKED:

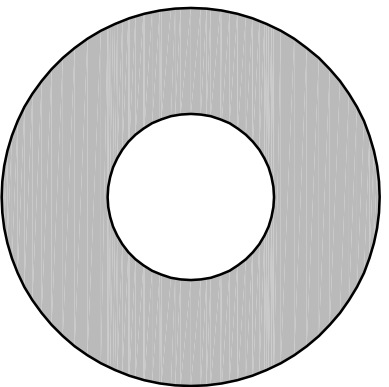
REVISION No: -

SCALE: 1 : 1

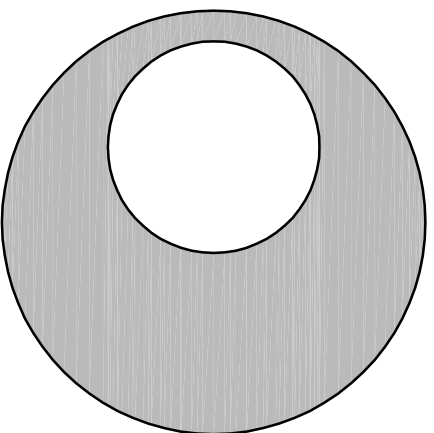
DWG No: FERRULES



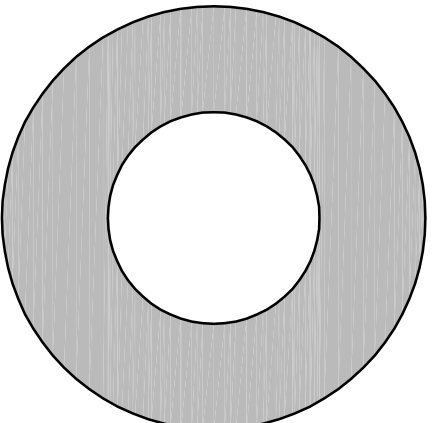
Anley's Industrial Estate, Eland HX5 9AP
T: +44 (0) 1422 314488
E: enquiries@drivemedical.co.uk
W: www.drivemedical.co.uk/technical



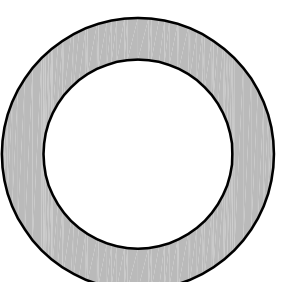
FER22L:
FERRULE, 22mm TUBE,
50mm BASE, GREY



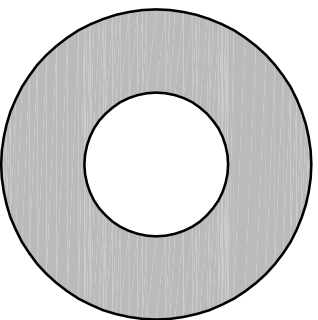
FER28LANG:
FERRULE – ANGLED,
28mm TUBE, 56mm
BASE, GREY



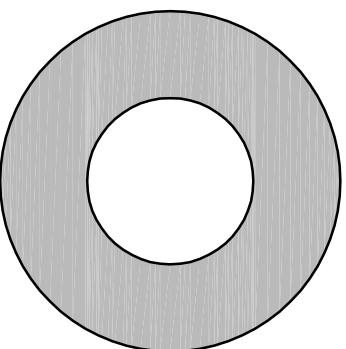
FER28L:
FERRULE, 28mm TUBE,
56mm BASE, GREY



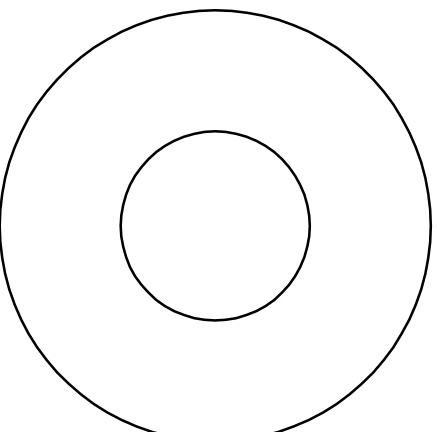
FER25XL:
FERRULE,
25mm TUBE,
36mm BASE,
GREY



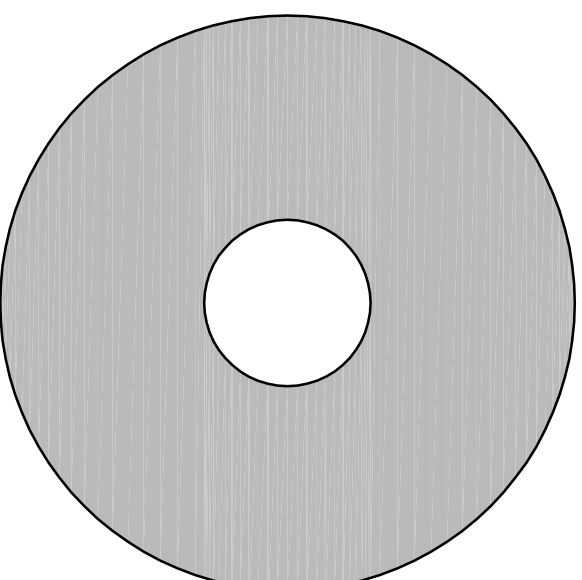
FER19:
FERRULE, 19mm TUBE,
41mm BASE, GREY



FER22:
FERRULE, 22mm TUBE,
45mm BASE, GREY



FER25LWH:
FERRULE, 25mm TUBE,
57mm BASE, WHITE



540000001:
FERRULE, 252mm TUBE,
76mm BASE, GREY



Anley's Industrial Estate, Eland HX5 9AP
T: +44 (0) 1422 314488
E: enquiries@drivemedical.co.uk
W: www.drivemedical.co.uk/technical

NOTES:

THE ABOVE DIAGRAMS ARE LIFT SIZE. TO USE THE CHART, PLACE THE FERRULE OVER THE LARGER OUTER CIRCLE AND THE TUBE OVER THE INNER SMALLER CIRCLE TO DETERMINE THE TYPE OF FERRULE REQUIRED.

TITLE:

**DRIVE UK FERRULES
FOR BATHING AND HOMECARE**

DATE: 04/06/14

SHEET No: 1 of 1

DRAWN: PMK

CHECKED:

REVISION No: -

SCALE: 1 : 1

DWG No:

FERRULES