

## MANUFACTURER'S STATEMENT

Read this operation manual carefully before use to ensure proper operation of this product. Failure to read this operation manual may cause improper operation and may result in serious injury or death of a person. The meanings of the symbols are as follows.

	<b>WARNING</b>	Disregard of the warning symbol can cause improper operation which may cause death or serious injury.
	<b>CAUTION</b>	Disregard of the caution symbol can cause improper operation which may cause injury of a person or damage the object.
	<b>NOTE</b>	Special attention is required to the section of this symbol.

- NOTE**
- This product is a non-contact switch intended for ceiling mount for use on automatic sliding doors. Do not use for any other applications.
  - When setting the sensors detection area, make sure that there is no traffic around the installation site.
  - Before turning the power ON, check the wiring to prevent damage or malfunction of equipment connected to the product.
  - Only use the product as specified in the operation manual provided.
  - Be sure to install and adjust the sensor in accordance with the local laws and standards of the country in which the product is installed.
  - Before leaving the installation site make sure that the product is operating properly and instruct the building owner/operator on proper operation of the door and the product.
  - The product settings can only be changed by an installer or service engineer. When changed, the changed settings and the date shall be registered in the maintenance logbook accompanying the door.

	<b>WARNING</b>	Do not wash, disassemble, rebuild or repair the sensor, otherwise it may cause electric shock or breakdown of the equipment.
<b>Danger of electric shock</b>		

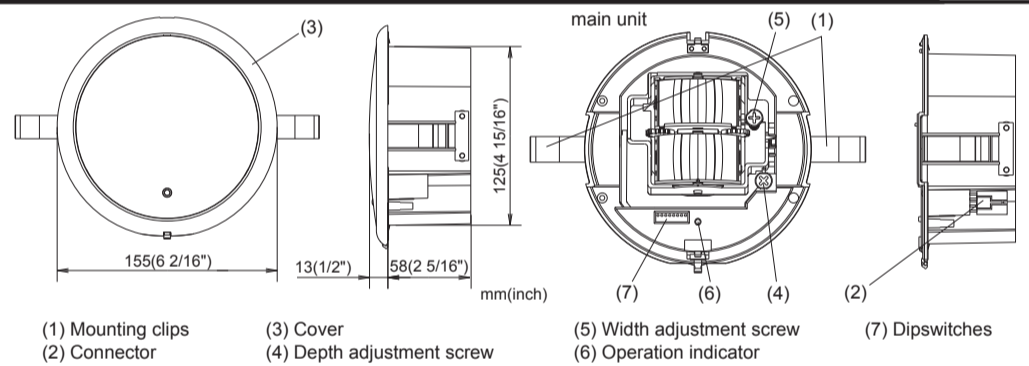
- NOTE** The following conditions are not suitable for sensor installation.
- Fog or exhaust emission around the door
  - Wet floor
  - Vibrating header or mounting surface
  - Moving objects, steel plate, emergency lights or illumination in the detection area or in vicinity
  - Highly reflecting floor or highly reflecting objects around the door

## SPECIFICATIONS

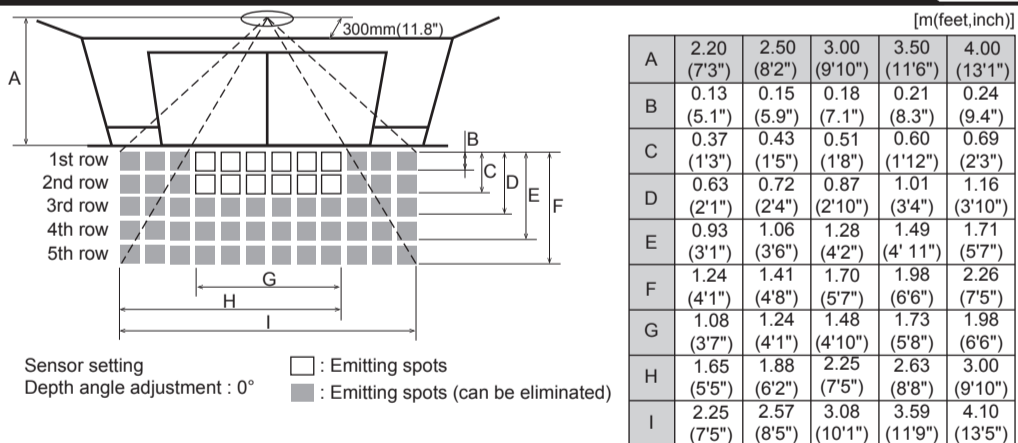
Model	: OA-72C	Output	: Form C relay
Cover color	: Silver		: 50V 0.3A max.(resistance load)
Mounting height	: 2.0 (6'7") to 4.0m (13'1")	Output hold time	: Approx. 0.5sec.
Detection area	: See <b>DETECTION AREA</b>	Response time	: < 0.3sec.
Detection method	: Active Infrared Reflection	Operating temperature	: -20°C to +55°C (-4°F to 131°F)
Depth angle adjustment	: -15° to +10°	Weight	: 320g (11.2oz)
Width angle adjustment	: -10° to +10°	Accessories	: 1 Cable 3m (9'10")
Power supply	: 12 to 24VAC (±10%)		: 1 Operation manual
	: 12 to 30VDC (±10%)		: 1 Mounting template
Power consumption	: < 1.5W (< 5VA at AC)		
Operation LED	: Green / Stand-by		
	: Red / 1st row detection		
	: Orange / 2nd to 5th row detection		

**NOTE** The specifications herein are subject to change without prior notice due to improvements.

## OUTER DIMENSIONS AND PART NAMES



## DETECTION AREA



**NOTE** The actual detection area may become smaller depending on the ambient light, the color / material of the object or the floor as well as the entry speed of the object.  
\*The values of the chart above is of the emitting spots, but not of the detection area.

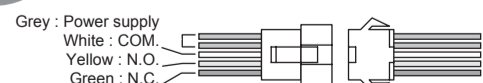
## INSTALLATION

- Affix the mounting template at the desired mounting position.
- Drill a mounting hole. (recommended diameter :  $\phi$ 130mm (5"))
- Remove the mounting template.

**CAUTION** Risk of getting caught

Make sure that the detection window faces the floor surface. When it faces the wall or the ceiling, the sensor may not operate properly.

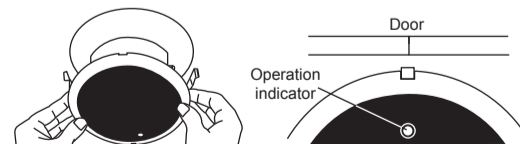
- Remove the cover from the sensor. Plug the connector of the cable to the connector of the sensor.



**WARNING** Danger of electric shock

Before starting the procedure, ensure that the power is turned OFF. When passing through the cable to the hole, make sure not to tear the shield, otherwise it may cause electric shock or breakdown of the sensor.

- Install the sensor with cover, keeping the direction of operation indicator towards the door.
- Press the mounting clips against the sensor to place the sensor into the mounting hole.



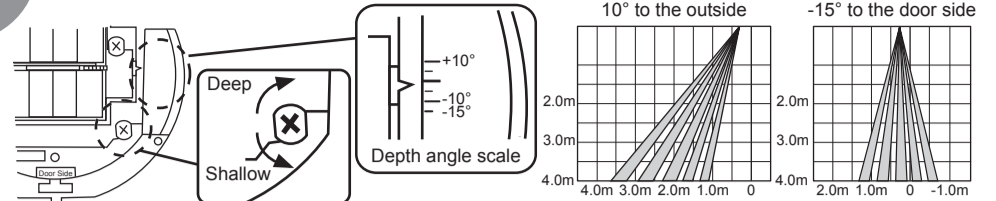
- Supply power to the sensor. Adjust the detection area and set the dipswitches. (See **ADJUSTMENTS**)

**NOTE** To enable the presence detection, do not enter the detection area for 10 seconds after supplying the power.

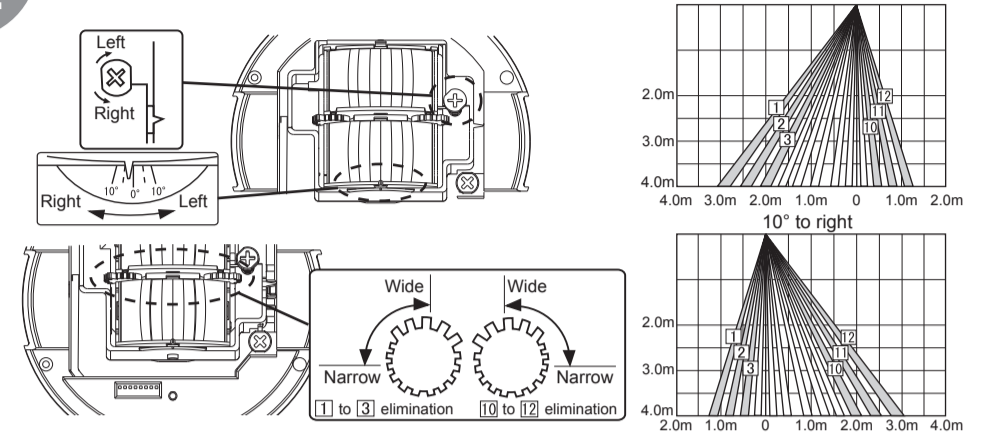
- Mount the cover on the sensor. Mount the cover by making a small gap between sensor and ceiling.

## ADJUSTMENTS

### 1 Area depth angle adjustment



### 2 Width detection area adjustment



### 3 Dipswitch setting

Function	Setting				Comment
	Low	High			
Sensitivity	1	1			Set the sensitivity according to the mounting height. Adjust the sensitivity according to your risk assessment.
Mounting height	2 to 3m	2.7 to 4m			Set the sensitivity according to the mounting height. Adjust the sensitivity according to your risk assessment.
Presence timer	30sec.	60sec.	180sec.	600sec.	1st and 2nd rows include presence detection function.
Frequency	Setting1	Setting2			When using more than one sensor close to each other, set the frequency different for each sensor.
Snow mode	OFF	ON			Set this switch to ON if the sensor is used in a region with snow or a lot of insects.
Area adjustment	5 rows	4 rows	3 rows	2 rows	Adjust the area detection depth by selecting the dipswitches.

## CHECKING

Check the operation according to the chart below.

Entry	Power OFF	Outside of detection area	Entry into 3rd, 4th or 5th row	Entry into 2nd row	Entry into 1st row	Outside of detection area
Status	-	Stand-by	Motion detection active	Motion/Presence detection active	Presence detection	Stand-by
Operation LED	None	Green	Orange		Red	Green
Output	COM N.O. N.C.	COM N.O. N.C.	COM N.O. N.C.		COM N.O. N.C.	COM N.O. N.C.

## INFORM BUILDING OWNER / OPERATOR OF THE FOLLOWING ITEMS

- WARNING**
- Wipe the detection window with a damp cloth. Do not use any cleaner or solvent.
  - Do not wash the sensor with water.
  - Do not disassemble, rebuild or repair the sensor yourself, otherwise an electric shock may occur.
  - When an operation LED blinks green, contact your installer or service engineer.
  - Always contact your installer or service engineer when changing the settings.
  - Do not paint the detection window.
- NOTE**
- When turning the power ON, always walk-test the detection area to ensure proper operation.
  - Do not place any objects that move or emit light in the detection area. (e.g. plant, illumination, etc.)

## TROUBLESHOOTING

Problem	Operation LED	Possible cause	Possible countermeasures
Door does not open when a person enters the detection area.	None	Power supply voltage.	Set to the stated voltage.
	Unstable	Wrong wiring or connection failure.	Check the wires and connector.
		Wrong detection area positioning.	Check <b>ADJUSTMENTS 1 &amp; 2</b> .
		Sensitivity is too low.	Set the sensitivity higher.
		Short presence detection timer.	Set the presence detection timer longer.
Door opens when no one is in the detection area. (Ghosting)	Unstable	Dirty detection window.	Wipe the detection window with a damp cloth.
		The detection area overlaps with that of another sensor.	Check <b>ADJUSTMENTS 3</b> .
		The detection area overlaps with the door / header.	Adjust the detection area to "deep" (outside).
		Reflecting objects in the detection area. Or reflecting light on the floor.	Remove the objects.
		Sensitivity is too high.	Set the sensitivity lower.
		It snows.	Set the snow mode to ON.
		Objects that move or emit light in the detection area.	Remove the objects.
		Wet floor.	Check the installation condition referring to <b>MANUFACTURER'S STATEMENT</b> on the reverse side.
		The exhaust emission or fog penetrate into the detection area.	
	Door remains open	Red or Orange	Sudden change in the detection area.
Proper		Wrong wiring or connection failure.	Check the wires and connector.
		Sensitivity is too low.	Set AIR area width to "Wide". Wipe the detection window with a damp cloth.
		Sensor failure.	Contact your installer or service engineer.
Slow Green blinking	Signal saturation.	Remove highly reflecting objects from the detection area or lower the sensitivity or change the area angle.	
	The detection area overlaps with the door / header.	Adjust the detection area to "deep" (outside).	
Door remains closed	Proper	Wrong wiring or connection failure.	Check the wires and connector.

Manufacturer  
**OPTEX CO., LTD.**  
 5-8-12 Ogoto Otsu 520-0101, Japan  
 TEL.: +81(0)77 579 8700 FAX.: +81(0)77 579 7030  
 WEBSITE: www.optex.net

European Subsidiary  
**OPTEX Technologies B.V.**  
 Henricuskade 17, 2497 NB The Hague, The Netherlands  
 TEL.: +31(0)70 419 41 00 FAX.: +31(0)70 317 73 21  
 E-MAIL: info@optex.eu WEBSITE: www.optex.eu

North and South America Subsidiary  
**OPTEX INCORPORATED**  
 18730 S. Wilmington Avenue, Suite 100 Rancho Dominguez CA 90220 U.S.A.  
 TEL.: +1-800-877-6656 FAX.: +1(310)898-1098  
 WEBSITE: www.ot-inc.com

East coast office  
 8510 McAlpines Park Drive, Suite 108  
 Charlotte, NC 28211 U.S.A.  
 TEL.: +1-800-877-6656 FAX.: +1(704)365-0818  
 WEBSITE: www.ot-inc.com