

BATTERY OPERATED
PHOTOELECTRIC DETECTOR
Smart Line™ series
OPTION

Power Converter Unit

PCU-5

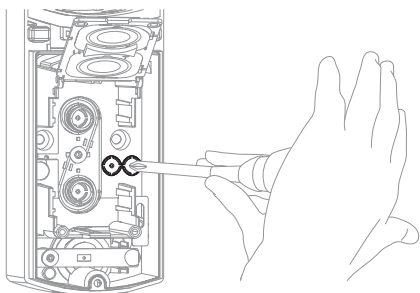
Voltage converter unit used to enable wired operation of the detector.

PARTS IDENTIFICATION

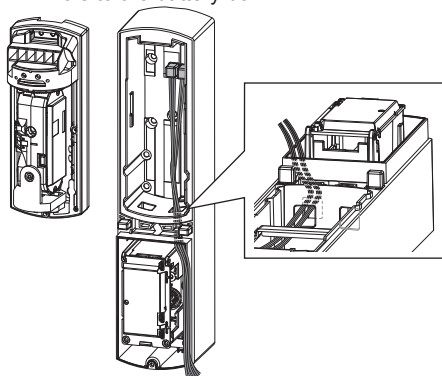
PCU-5 ×1, Putty ×2

INSTALLATIONS

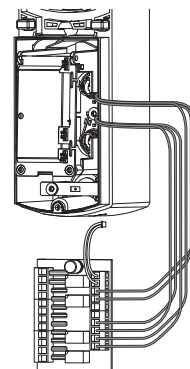
- 1** Using a screwdriver or similar tool, break the knockout position in the back box as shown.



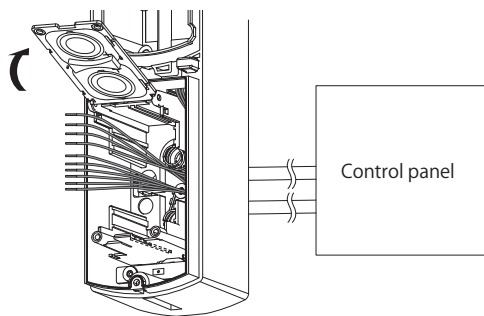
- 2** Route connector cables (Alarm, Low battery and Tamper) in the back box through the hole to the battery box.



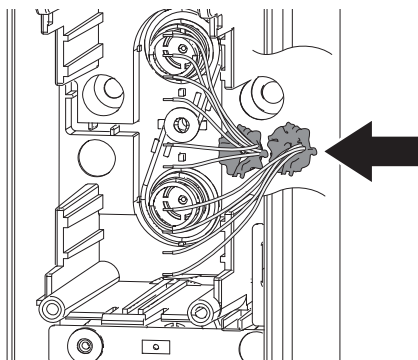
- 3** Connect the connector cable to the terminals of PCU-5.



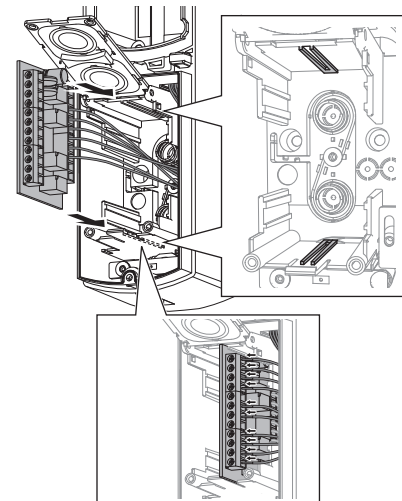
- 4** Open the battery plate and then route the control panel wires from the rear of the back box through the knockout holes. Adjust the wires so that they extend about 100 mm from the holes.



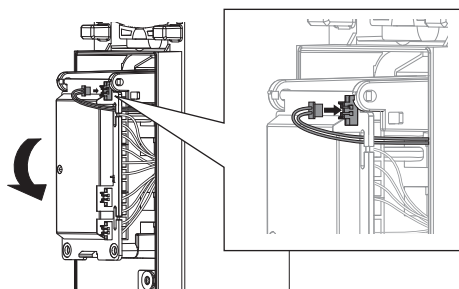
- 5** Fill the holes with the wires using the supplied putty.



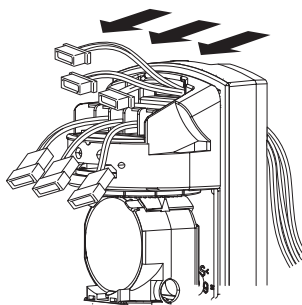
- 6** Insert PCU-5 into the slots on the back box and then connect the wires to the PCU-5 terminals.



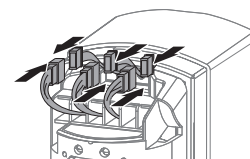
- 7** Close the battery plate and connect PCU-5 male connector to the female connector of the battery plate.



- 8** Route the three connectors of the back box through the slit on the upper part of the main unit.

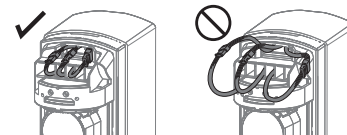


- 9** Attach the connectors.



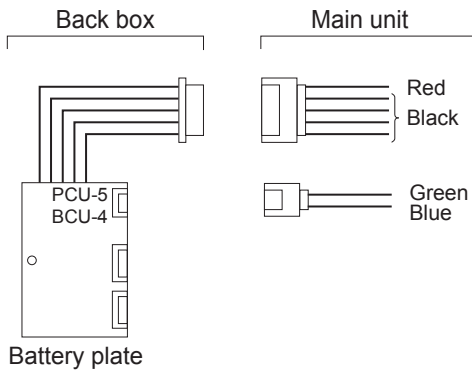
Note>>

Put the cables in order not to be caught between the main unit and cover.

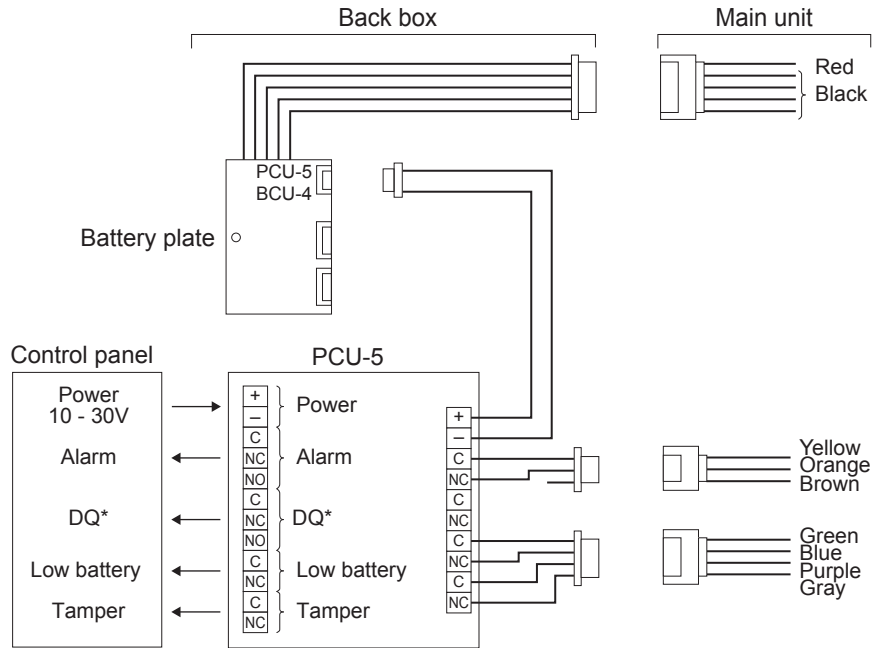


SYSTEM DIAGRAM

Transmitter

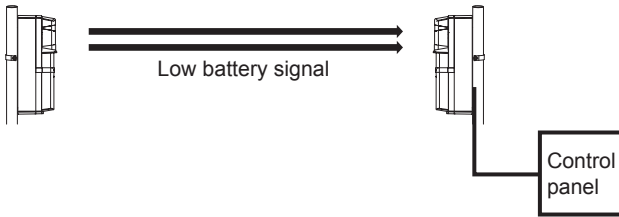


Receiver



* The DQ function is not provided with the SL-TNR.

FUNCTION TO TRANSMIT LOW-BATTERY SIGNAL



The low-battery signals are transmitted from the transmitter using IR beams. This function enables to eliminate the need to install a wireless transmitter in the photoelectric transmitter.

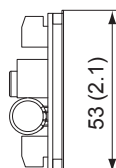
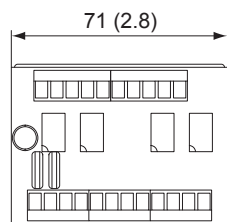
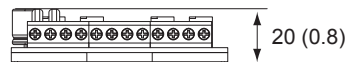
WIRING DISTANCE BETWEEN POWER SUPPLY AND DETECTOR

Wire size	Power supply voltage	
	12VDC	24VDC
0.33mm ² (AWG22)	180m (600ft.)	1,200m (4,000ft.)
0.52mm ² (AWG20)	280m (900ft.)	1,800m (6,000ft.)
0.83mm ² (AWG18)	450m (1,500ft.)	3,000m (10,000ft.)
1.31mm ² (AWG16)	700m (2,300ft.)	4,500m (14,500ft.)

SPECIFICATIONS

Power input	10.5 - 30 VDC
Current draw	80mA (max.)
Output voltage	Approx. 3.6 to 3.9 VDC
Output current	10mA (max.)
Alarm output	Form C relay ; 30VDC. 0.2A
D.Q. output	Form C relay ; 30VDC. 0.2A
Low battery output	N.C. relay ; 30VDC. 0.2A
Tamper output	N.C. relay ; 30VDC. 0.2A
Operating temperature	-20°C to 60°C (-4°F to 140°F)
Operating humidity	95% (max.)
Dimension	H×W×D mm (inch): 71 (2.8) × 53 (2.1) × 20 (0.8)

DIMENSIONS



Unit: mm (inch)

OPTEX CO., LTD. (JAPAN)

URL: <http://www.optex.net/>

OPTEX INC. (U.S.)

URL: <http://www.optexamerica.com/>

OPTEX DO BRASIL LTDA. (Brazil)

URL: <http://www.optex.net/br/es/sec/>

OPTEX (EUROPE) LTD. / EMEA HQ (U.K.)

URL: <http://www.optexeurope.com/>

OPTEX TECHNOLOGIES B.V. (The Netherlands)

URL: <http://www.optex.nl/>

OPTEX SECURITY SAS (France)

URL: <http://www.optex-security.com/>

OPTEX SECURITY Sp.z o.o. (Poland)

URL: <http://www.optex.com.pl/>

OPTEX PINNACLE INDIA, PVT., LTD. (India)

URL: <http://www.optex.net/in/en/sec/>

OPTEX KOREA CO.,LTD. (Korea)

URL: <http://www.optexkorea.com/>

OPTEX (DONGGUAN) CO.,LTD. SHANGHAI OFFICE (China)

URL: <http://www.optexchina.com/>