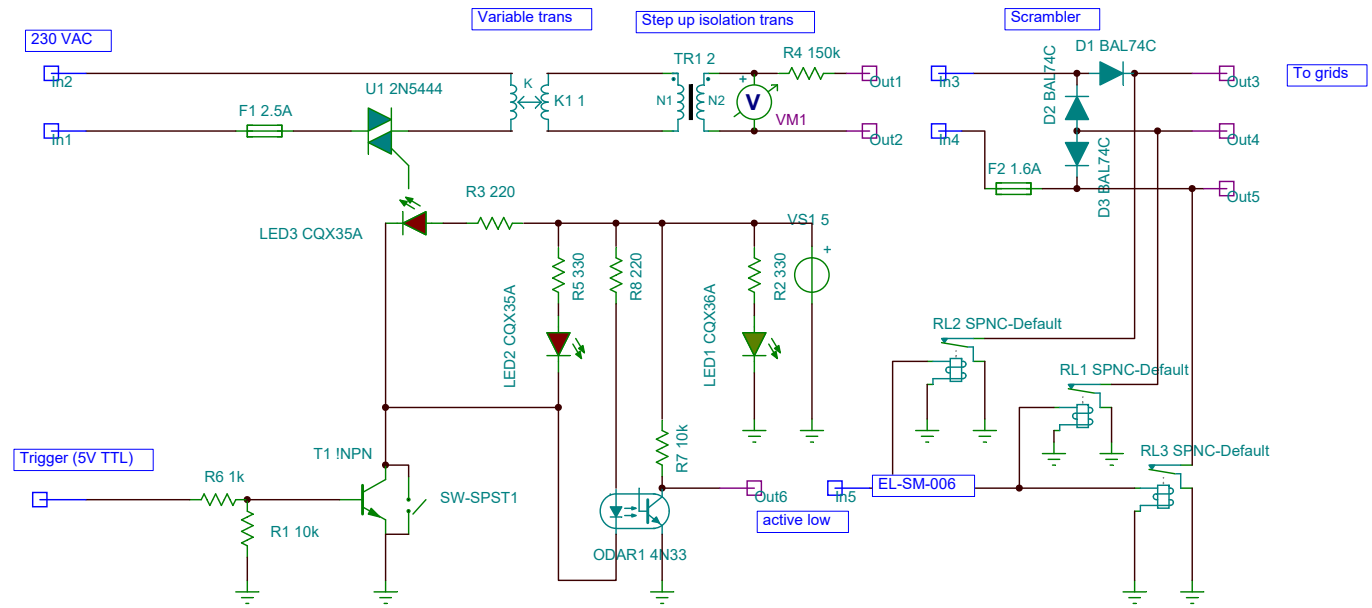


Footshock circuit ver 3.3 (190624)



Trigger (TTL)