

Research

Vs

Researcher

Transitioning “Open Data” from a NOUN to a VERB

[10.7287/peerj.preprints.3015v1](https://doi.org/10.7287/peerj.preprints.3015v1)

FORCE 2017

Changing the Culture

Berlin | Germany

25–27 October 2017

Not an ONE-MAN show

More talked!

OPEN-DATA/Science

Less in Fruition??

Two Major Challenges towards an Open-Data/Science Paradise!

Cultural

Infrastructural

What is that

ONE THING

Registered reports

Preprints

Publications

Annotations

PREreview

Data Repositories

Peer-review comments

Events

Post peer-review

Article versions

Protocol versions

Data versions

Posters/conference sessions

We have a

DOI

For Everything!

is that a Reward??

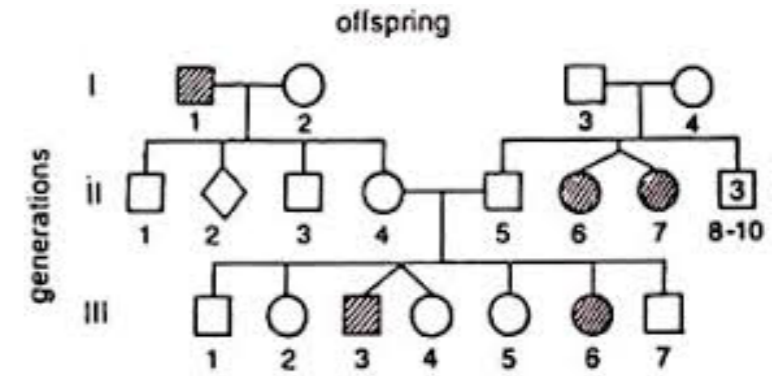
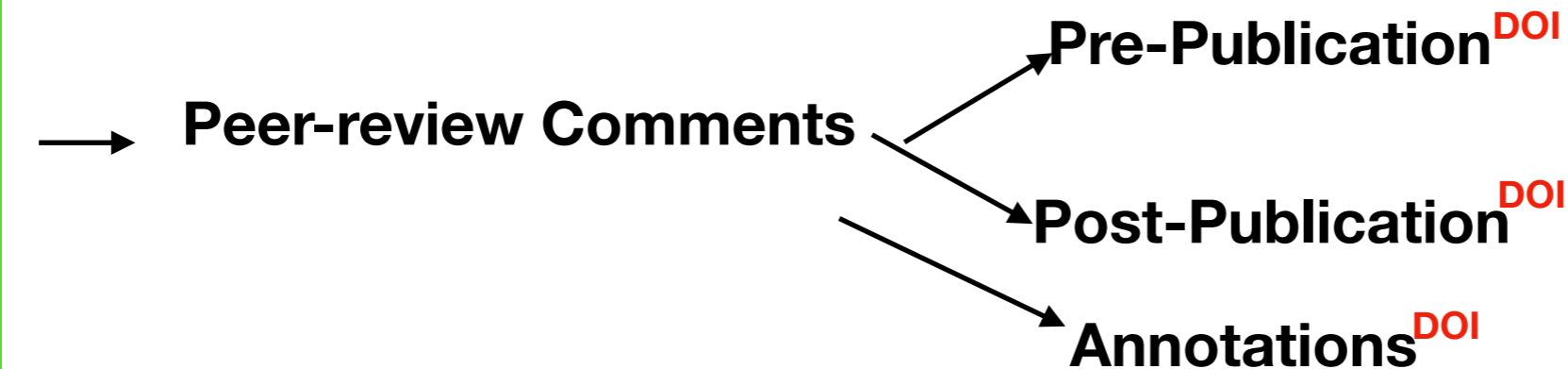
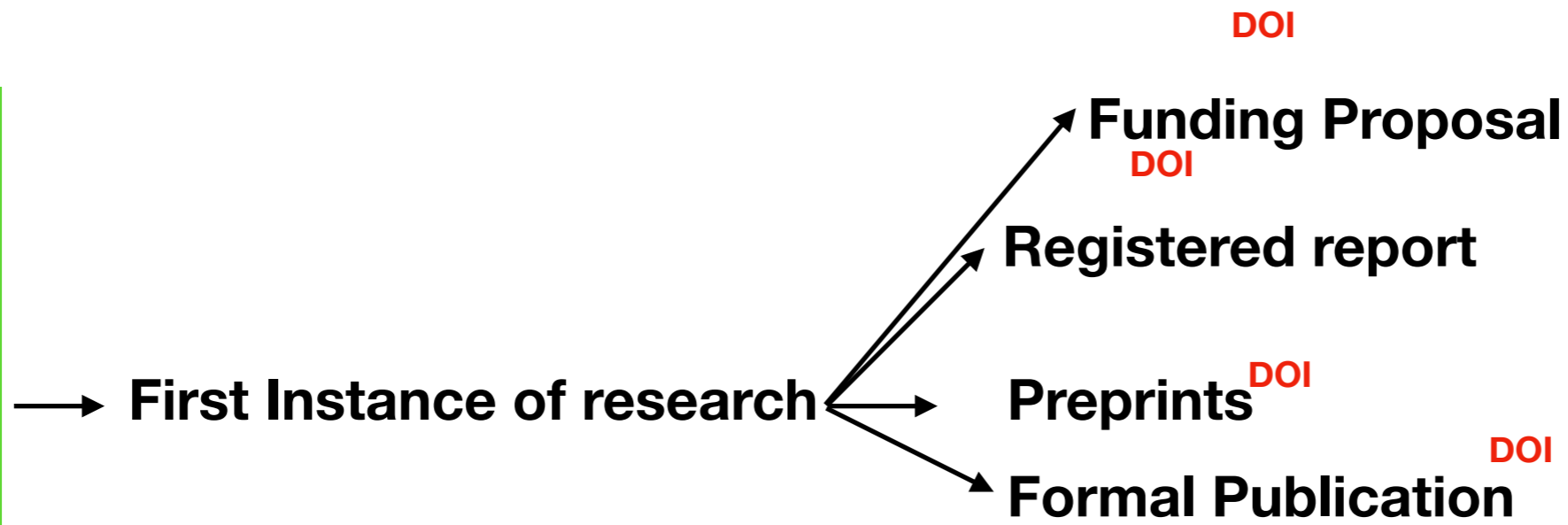


Fig. 55.2 : Hypothetical family pedigree for albinism

DOI PEDIGREE

De-coupling Research Vs Researcher's assessment

Life cycle of the Research article



Event
Data

Event data of the Object DOI's →

ORCID

Connecting Research
and Researchers

Profile's of the Researcher who
contributed to the DOI

Differentiate the Object DOI's

That contributed to

**Quality,
Reuse
Reproducibility**



Open Source 4 all

You are all Invited to

JOIN

FORCE11 working Group

Is DOI a Reward??

In just Couple of weeks!!