

Digital Controller SC4200c

Applications

- Wastewater



The next generation controller

Remote access to online system data anytime, anywhere.

Data Access from Anywhere

Get easy access to crucial information, helping you manage your process and be proactive in your maintenance.

Anytime. Anywhere.

Always at a Glance: Measurement and Sensor Health

Be confident of your sensor health and measurement results with easy to understand colour-coded LEDs and remote diagnostics providing you with actionable information including errors and warnings.

Fast and Intuitive Operation

Intuitive menu options allow you to calibrate your instruments quickly – helping you to easily set up your systems and optimise your processes. Using any internet-enabled device, this can be done from wherever you are.



Be Right™

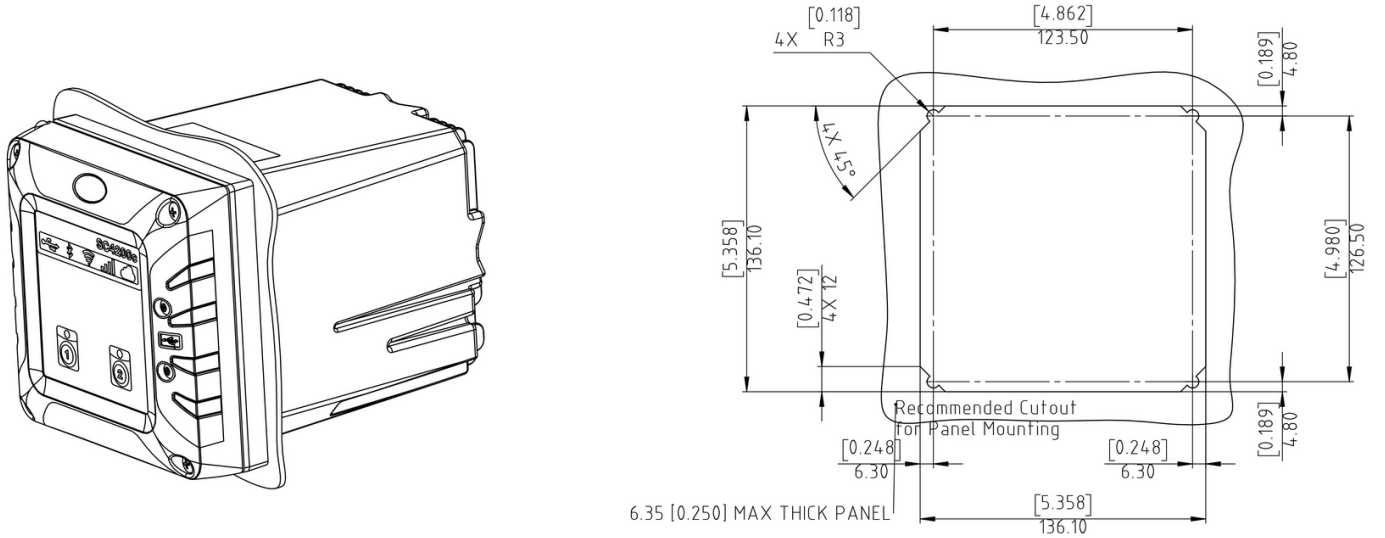
Technical Data*

Description	Microprocessor-controlled and menu-driven controller that operates the sensor.	Network connectivity	LAN version: Two Ethernet connectors (10/100 Mbps), switch function, M12 female D-coding connector. Cellular version: SIM card holder (3G/4G). The type of connection is dependent on controller configuration.
Dimensions	½ DIN - 144 x 144 x 192 mm (5.7 x 5.7 x 7.6 in.)	USB Port	Used for data download and software upload. The controller records approximately 20,000 data points for each connected sensor.
Weight	1.7 kg (controller only, w/o modules)	Compliance certifications	CE approved (with all sensor types). Listed for use in general locations to UL and CSA safety standards by ETL (with all sensor types). Certain AC mains powered models are listed for use in general safety locations to UL and CSA safety standards by Underwriters Laboratories (with all sensor types).
Enclosure waterproof rating	NEMA 4X/IP66 metal enclosure with a corrosion-resistant finish	Warranty	2 years
Operating temperature range	LAN version: -20 - 60 °C Cellular version: -20 - 55 °C	Compatible network technologies	GSM 3G/4G (e.g. AT&T, T-Mobile, Rogers, Vodafone etc.) CDMA (e.g. Verizon)
Storage conditions	-20 - 70 °C, 0 - 95% relative humidity, non-condensing	Compatible instruments	Ammonium: Amtax sc, AN-ISE sc, A-ISE sc Nitrate: Nitratax sc, N-ISE sc Phosphate: Phosphax sc Organics: UVAS sc pH: pHD sc pH/ORP: pHD sc, 1200-S sc Conductivity: 3798-S sc Dissolved Oxygen: LDO 2 sc Suspended Solids: Solitax sc Sludge Level: Sonatax sc
Altitude	2000 m maximum		
Installation category	Category II		
Pollution degree	2		
Protection class	I, connected to protective earth		
Power requirements (Voltage)	100 - 240 V AC		
Power requirements (Hz)	50/60 Hz		
Measurements	Two device digital SC connectors		
Relays	High voltage: Two relays (SPDT) Maximum switching voltage: 250 VAC Maximum switching current: 5 A (resistive only load) Maximum switching power: 1250 VA, 125 W (resistive only load) Wire gauge: 0.75 to 2.5 mm ² (18 to 12 AWG) Low voltage: Four relays on each low voltage relay module		
Output	Five 4-20 mA analogue outputs on each analogue output module		
Communication capabilities	Profibus DPV1 card		

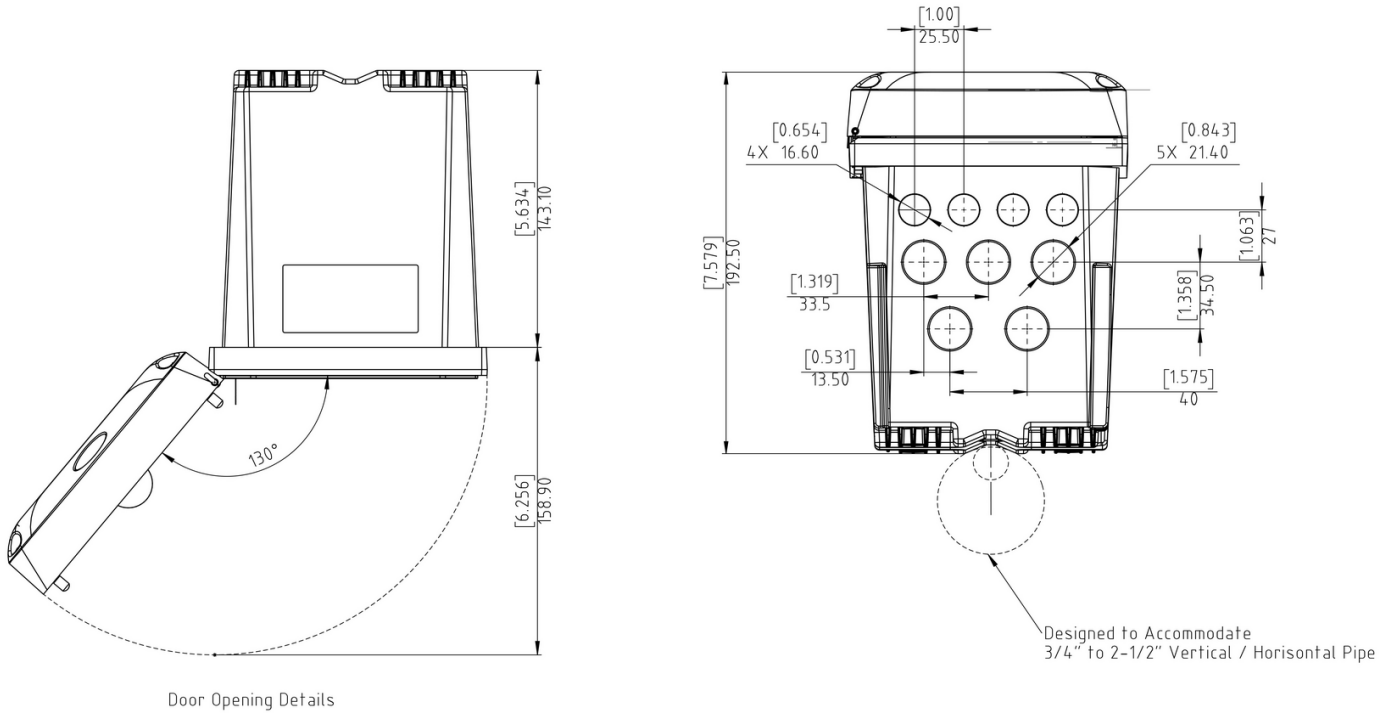
*Subject to change without notice.

Dimensions

Panel mounting dimensions



Top and bottom views



Door Opening Details

Order Information

Controller

- LXV524.99.03120** SC4200c Controller, European cellular modem, mA out, 2 digital sensors, w/o plug
- LXV524.99.03110** SC4200c Controller, European cellular modem, mA out, 1 digital sensor, w/o plug
- LXV524.99.03720** SC4200c Controller, European cellular modem, Profibus, 2 digital sensors, w/o plug
- LXV524.99.13120** SC4200c Controller, European cellular modem, mA out, 2 digital sensors, with plug

Other configurations are available. Please contact Hach Technical Support or your Hach representative.

Accessories

- LXZ524.99.00006** SC4x00c mA output module, 5 outputs
- LXZ524.99.00007** SC4x00c Profibus DP network module
- LXZ524.99.00008** SC4x00c Relay module, 4 low voltage relays
- LXZ524.99.00013** Holder for tablets/mobiles
- LXZ524.99.00004** UV protection screen
- LXZ524.99.00005** UV protection screen with sunroof
- LZY472-01** USB 2.0 Ethernet-Adapter for SC Service Port
- LZV791** Memory-Stick (USB)
- LXZ524.99.00033** Sunroof visor
- LXZ524.99.00037** Sunroof
- LQV155.99.00011** Power connection box for SC analysers, with power cord
- LQV155.99.00001** Power connection box for SC analysers, without power cord

Be confident with Hach Service

Start-Up/Commissioning:

Our service technicians visit your site and setup instrumentation, provide basic end-user training on operations and maintenance, and validate settings and performance to get you started.

Service Agreement:

Hach provides on-site and in-factory repair, preventive maintenance, and calibration programs for your instruments to ensure reliability and instrument up-time. We have services to fit your specific needs.

