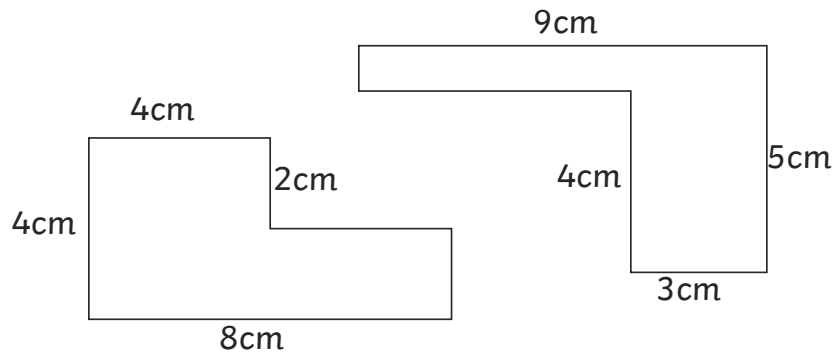


Clue 1: Perimeter of Rectilinear Shapes

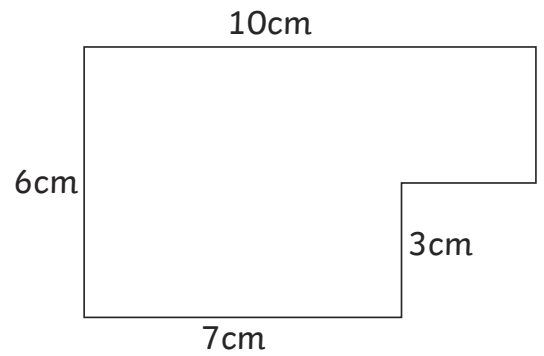
Calculate the perimeter of each rectilinear shape.

The solution that occurs the most will reveal a clue about who finds the tennis kits.

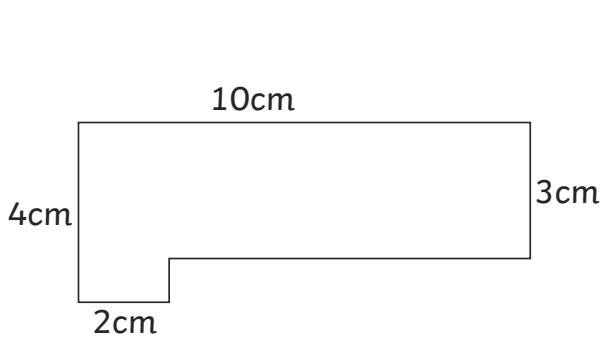


perimeter = 24cm

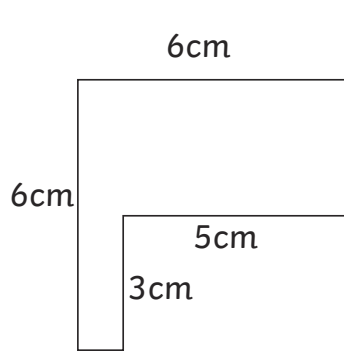
perimeter = 28cm



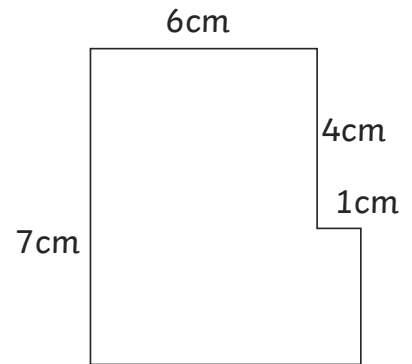
perimeter = 32cm



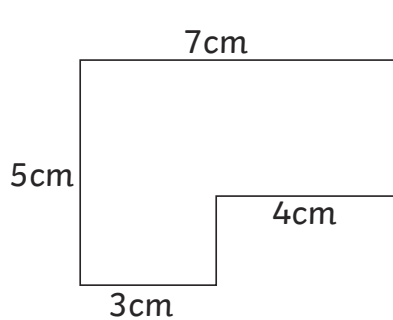
perimeter = 28cm



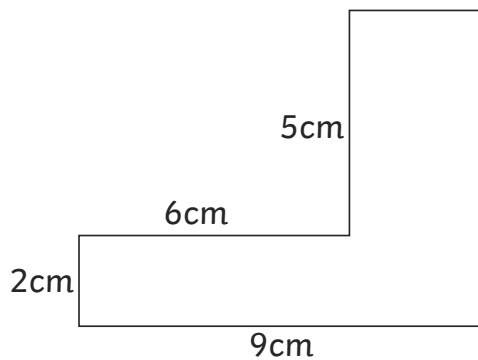
perimeter = 24cm



perimeter = 28cm



perimeter = 24cm



perimeter = 32cm



perimeter = 24cm

24cm	28cm	32cm
The player doesn't come from South America.	The player doesn't come from North America.	The player doesn't come from Africa.

Clue: The player who finds the kits doesn't come from South America.

Clue 2: Equivalent Measures

Find a path through the maze by following the correct equivalent measures. You can only move horizontally or vertically through the maze.

The path will reveal a clue about the special skill of the player who finds the kits.

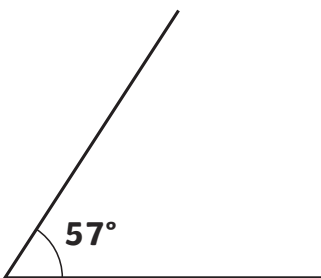
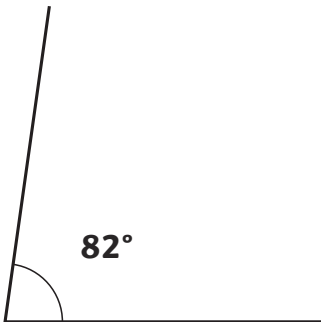
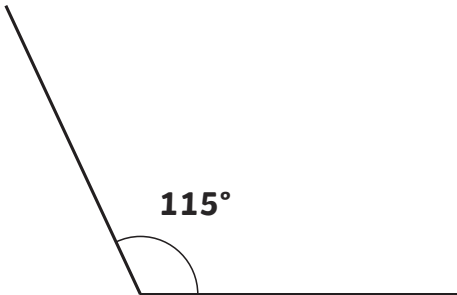
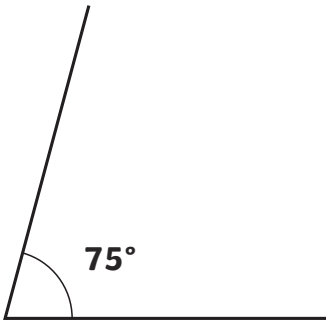
Start	1.09l = 1090ml	6.37km = 6370m	56g = 0.056kg	12mm = 0.12cm
4.7kg = 4700g	6mm = 0.6cm	334ml = 3.34l	509cm = 5.09m	578m = 0.578km
2.09km = 2090m	12.6m = 126cm	670mm = 0.67m	0.7kg = 70g	5.06l = 5060ml
2.34m = 234mm	45ml = 0.045l	930g = 0.93kg	1600m = 1.6km	45m = 4500cm
25kg = 25 000g	34cm = 340mm	6.32km = 632m	0.03m = 3cm	6ml = 0.06l
250ml = $\frac{1}{4}$l	39cm = 0.39mm	$\frac{3}{4}$m = 75cm	1.75kg = 175g	890m = 0.89km
The player's special skill is not a serve or volley.	The player's special skill is not a backhand or slice.	The player's special skill is not speed or a slice.	The player's special skill is not a volley or backhand.	The player's special skill is not speed or a serve.

Clue: The special skill of the player who finds the kits is not a serve or volley.

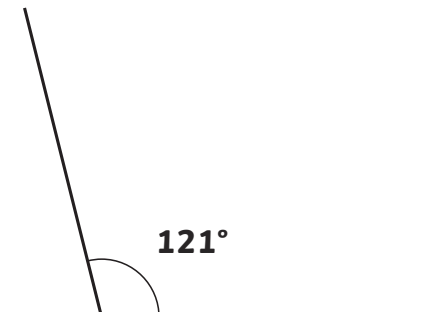
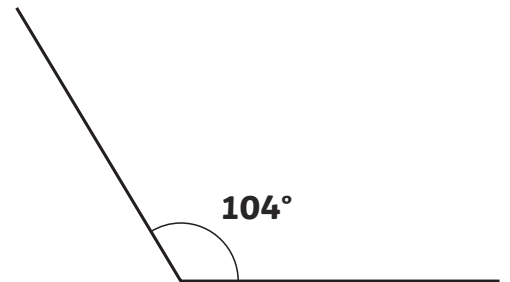
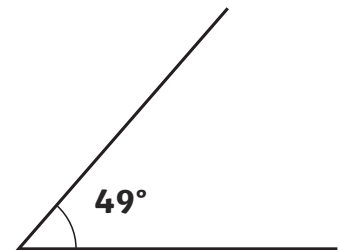
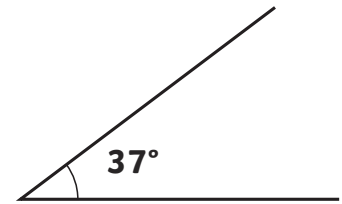
Clue 3: Measuring Angles

Measure each angle and match them to the correct answers.

The one remaining answer box will tell you a clue about the player who finds the kits.



121° The player's kit is blue or black.
49° The player's kit is green or black.
104° The player's kit is green or blue.
57° The player's kit is white or black.
75° The player's kit is green or purple.
64° The player's kit is blue or white.
82° The player's kit is purple or white.
115° The player's kit is black or purple.
37° The player's kit is white or green.



Clue: The player who finds the kits has a blue or white kit.

Clue 4: Prime and Composite Numbers

Look at these maths statements and decide whether they are true or false. If it is true, put a tick. If it is false, put a cross.

Count the number of ticks and crosses.

If there are more ticks than crosses, the player who finds the kits is male.

If there are more crosses than ticks, the player who finds the kits is female.

	True ✓	False ✗
2 is a prime number.	✓	
23 is the only prime number between 20 and 30.		✗
15, 16 and 17 are all composite numbers.		✗
The next prime number after 50 is 53.	✓	
There are 3 prime numbers between 1 and 10.		✗
The prime numbers between 30 and 40 are 31 and 37.	✓	
67 is a composite number.		✗
The largest prime number less than 100 is 97.	✓	
2 and 3 are the only consecutive prime numbers.	✓	
Total	5	4

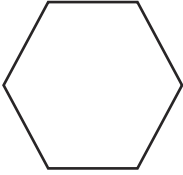

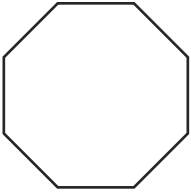
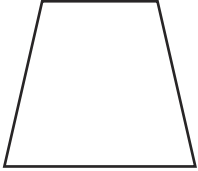
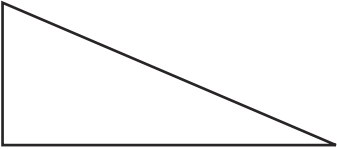
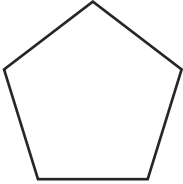

(Circle the correct answer.)

Clue: The player who finds the kits is male/female.

Clue 5: Shape

In each row, find the statement that is not correct.

The column with the most incorrect statements will tell you the age of the player who finds the kits.

	Every angle in this shape is a right angle.	This shape has six equal sides.	This shape has six lines of symmetry.
	In this shape, opposite sides are equal.	This shape has four right angles.	This is a regular shape.
	This is an octagon.	All the sides in this shape are equal.	This shape has four lines of symmetry.
	This is a trapezium.	This shape has one pair of parallel sides.	This is a regular shape.
	This shape has no lines of symmetry.	All the sides in this shape are equal.	This shape has one right angle.
	This shape has no lines of symmetry.	This shape has five equal sides.	Each angle in this shape is 108° .
	Opposite sides in this shape are parallel.	Opposite angles in this shape are equal.	This shape has two lines of symmetry.
	19-24	25-30	31-35

Clue: The player who finds the kits is aged 31-35.

The player who is responsible for finding the missing kits is Matt Martin.