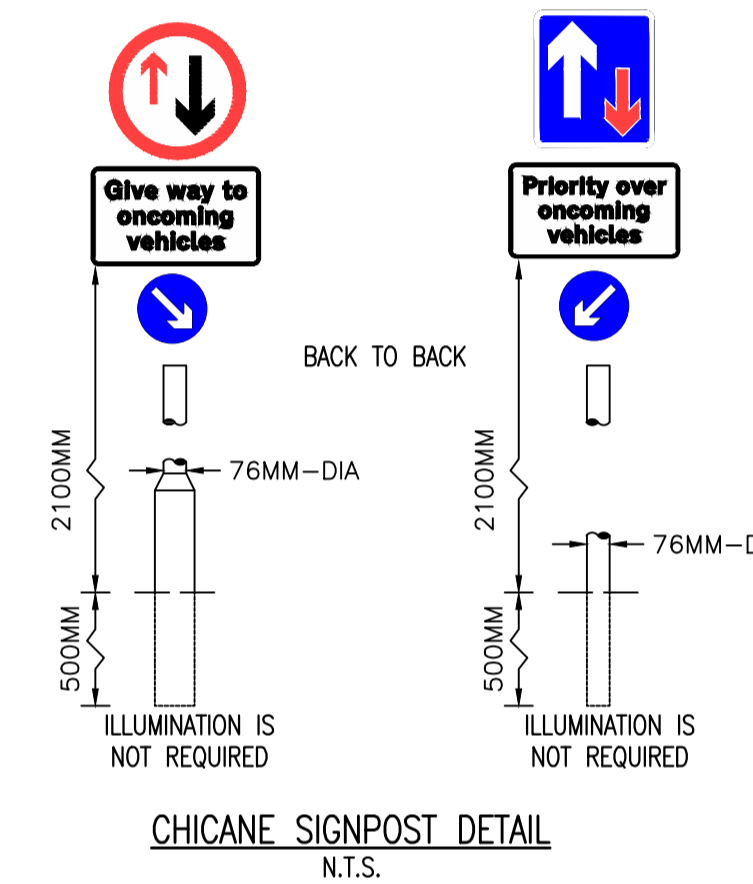
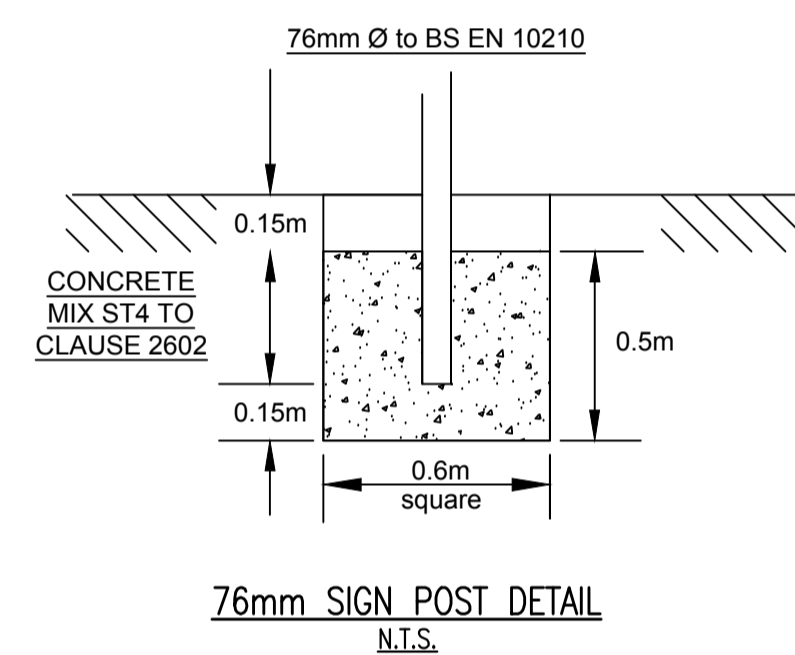
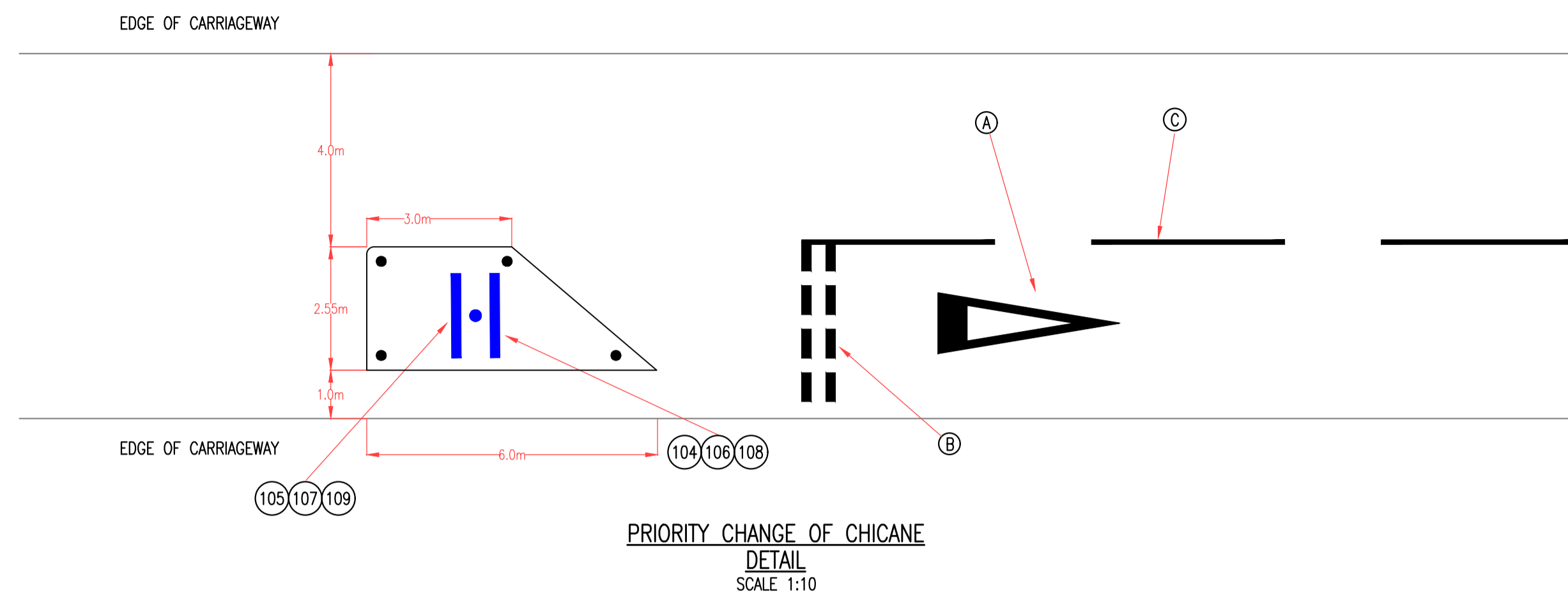


NEW TRAFFIC SIGNS											
REF	TSR&GD 2016 DIAG. No.	'x' HEIGHT (mm)	LEGEND	No. OFF	SURFACE	APPROX. SIZE (m)	POSTS/SIGNS			MOUNT HEIGHT (m)	REMARKS
							DIA (mm)	LENGTH (m)	no		
101	670	-		4	CLASS R2	0.6	76	3.0	4	2.1	SIGN TO BE MOUNTED BACK TO BACK WITH SIGN REF 102.
102	670	-		4	CLASS R2	0.6	-	-	-	2.1	SIGN TO BE MOUNTED BACK TO BACK WITH SIGN REF 101.
103	670	-		6	CLASS R2	0.3	-	-	-	2.1	SIGNS TO BE MOUNTED IN PAIRS (BACK TO BACK) ON EXISTING LIGHTING COLUMNS.
104	615	-		2	CLASS R2	0.6	76	3.0	2	-	SIGN TO BE MOUNTED IN PAIRS (BACK TO BACK) WITH SIGN REF 105, ABOVE SIGN REF 106.
105	811 A	-		2	CLASS R2	0.525 x 0.6	-	-	-	-	SIGN TO BE MOUNTED IN PAIRS (BACK TO BACK) WITH SIGN REF 104, ABOVE SIGN REF 107.
106	615.1	-		2	CLASS R2	0.6 x 0.35	-	-	-	2.1	SIGN TO BE MOUNTED IN PAIRS (BACK TO BACK) WITH SIGN REF 107.
107	811.1	-		2	CLASS R2	0.7 x 0.4	-	-	-	2.1	SIGN TO BE MOUNTED IN PAIRS (BACK TO BACK) WITH SIGN REF 106.
108	610	-		2	CLASS R2	0.270	-	-	-	-	SIGN TO BE MOUNTED IN PAIRS (BACK TO BACK) WITH SIGN REF 109, BELOW SIGN REF SIGN REF 106.
109	610 (VARIANT)	-		2	CLASS R2	0.270	-	-	-	-	SIGN TO BE MOUNTED IN PAIRS (BACK TO BACK) WITH SIGN REF 108, BELOW SIGN REF 107.

ROAD MARKINGS SCHEDULE						
REF	DIAG No.	MARK (m)	GAP (m)	WIDTH (mm)	ROAD STUDS	USE
A	1023	3.75	-	1250	-	GIVE WAY TRIANGLE
B	1003	0.6	0.3	200	-	GIVE WAY LINE
C	1004	4.0	2.0	100	-	CARRIAGEWAY WARNING LINE

NOTE:
ALL MARKINGS TO BE IN ACCORDANCE WITH TRAFFIC SIGNS REGULATIONS & GENERAL DIRECTIONS 2016.



CONTRACT
DRAWING No. 3 of 3

DRAWING
SIZE
A1

Northumberland
Northumberland County Council

All rights reserved. No part of this document may be reproduced in any material form (including photocopying or storing in any medium) without the written permission of Northumberland County Council except in accordance with the provisions of Copyright, Designs and Patents Act 1988. Unauthorised reproduction may lead to prosecution or civil proceedings.

NOTES

DRAWING REFERENCE
HE163339/00/C403/01/01 SCHEME LAYOUTS
HE163339/00/C403/01/02 DETAILED LAYOUTS

REVISION	By	Date	Rev.

Reproduced from based upon the Ordnance Survey mapping with permission of the Controller of Her Majesty's Stationery Office. © Crown copyright. Unauthorised reproduction infringes Crown copyright and may lead to prosecution or civil proceedings.
NORTHUMBERLAND COUNTY COUNCIL - O.S. Licence No 100048048 (2009)

Drawing Status
PRELIMINARY

Client
NORTHUMBERLAND COUNTY COUNCIL
COUNTY HALL, MORPETH.
NORTHUMBERLAND, NE61 2EF

Job Title
20mph SPEED LIMIT,
CAMBOIS FIRST SCHOOL

Drawing Title
SIGN SCHEDULE, ROAD
MARKINGS AND DETAILS

Scales AS SHOWN

Northumberland
Northumberland County Council
TECHNICAL SERVICES

Dn	Date	Checked	Passed
TM	NOV'16	SF	SF

Drawing Number
HF163339-00-C403-01-03

Job Number/File Number