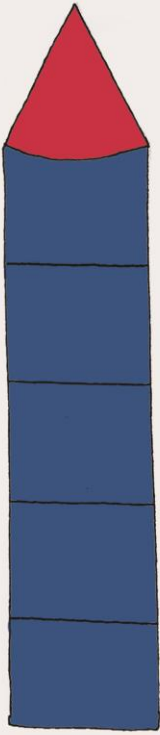
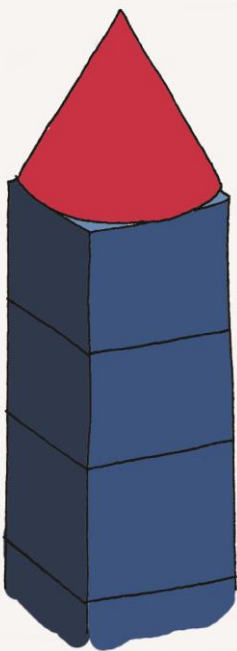
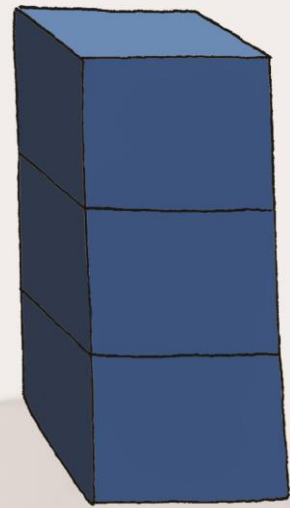


Castle

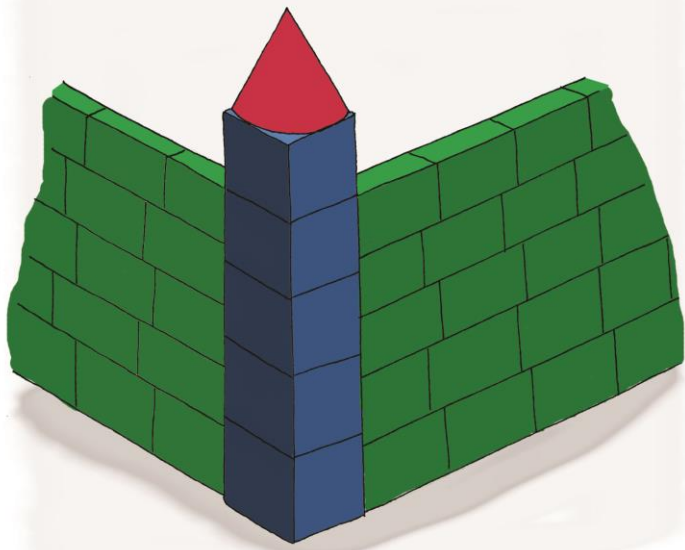


Look at my tall tower. I built it all by myself.

I stacked some cubes together.

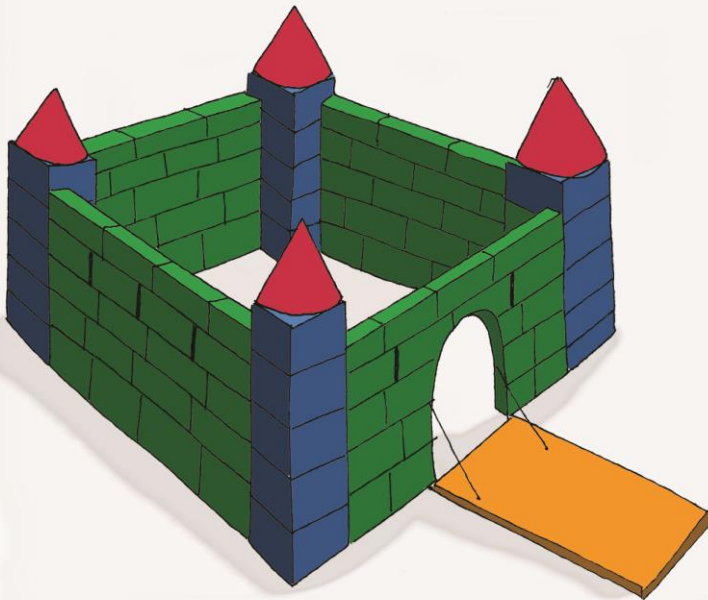
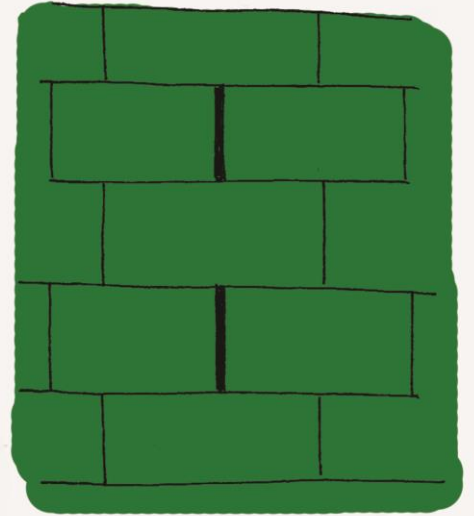


At the top of the tower I made a **turret**. I used a pointy cone shape.



Next I added a wall. I built it with cuboid shapes so it is strong.

Here are the windows. They are **narrow** slits.



Then I used a very big rectangle for the **drawbridge** to keep the enemies out!

Now my tower is a castle!

By Jenny Smith

classroomsecrets.com

Castle – P8 – Text

Castle – Oral Teacher Questions

What did the little girl build first? (AF2) **She built a tower.**

What did she end up with? (AF2) **She finished with a castle.**

How did she make her tower into a castle? (AF3) **She built a wall and added windows and a drawbridge.**

Why do you think she might have chosen those shapes? Use the words in the story to help you. (AF4/AF6) **Not all shapes need to be described. This text is for marking purposes only.**

She chose the cubes for the tower because they were all the same size. She chose the cuboids for the wall because they were strong, and that would hold the castle up well. She chose the pointy cone to turn her tower into a turret. She chose the rectangle for the drawbridge because she needed a door to keep the enemies out.

Castle – Follow-Up Work

What did the little girl build first? (AF2)

What did she end up with? (AF2)

How did she make her tower into a castle? (AF3)

Why do you think she might have chosen those shapes? Use the words in the story to help you. (AF4/AF6)

What do these words mean? (AF2)

turret _____

narrow _____

drawbridge _____

What would you build?

What shapes would you use to build and why would you choose them?

What do these words mean? (AF2)

turret – a tall, pointy tower.

narrow – very thin and tall.

draw bridge – a special door for a castle that reaches over the moat.

What would you build?

Encourage children to use their imagination.

What shapes would you use to build and why would you choose them?

Encourage children to use the text as a starting point and draw on it for their own ideas.

Castle – SPAG

Write some describing words for the following shapes and parts of a castle:

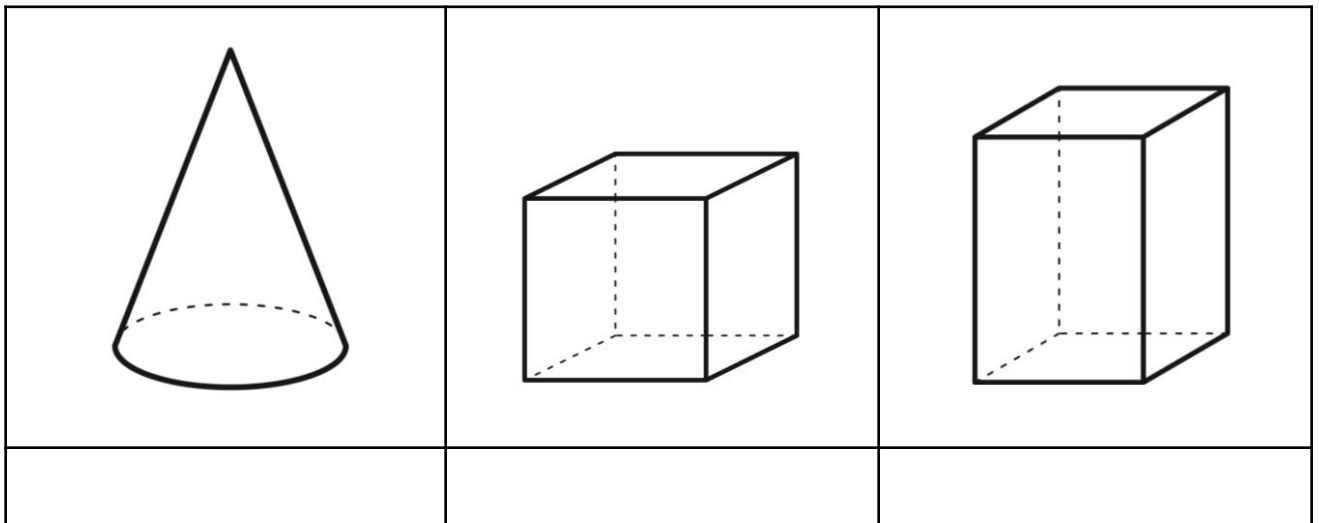
_____ tower

_____ cone

_____ slits

_____ rectangle

Label the shapes in the pictures:



Choose one of the shapes and write a sentence to describe it:

Castle – SPAG

Write some describing words for the following shapes and parts of a castle:

tall tower

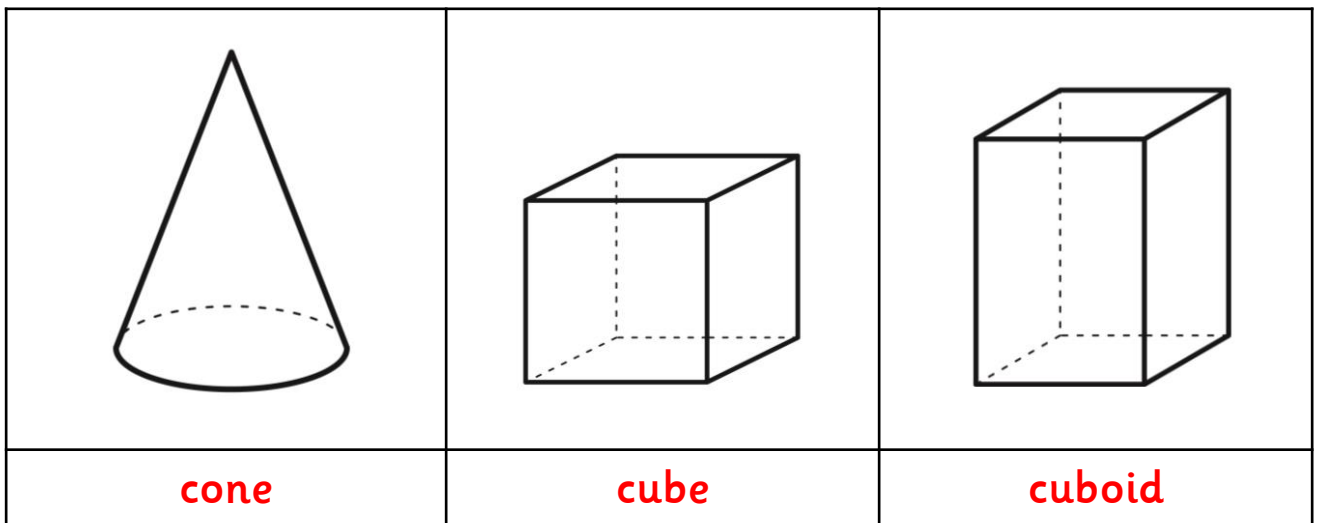
pointy cone

narrow slits

long rectangle

These are for ideas and marking purposes only. Children can use their own ideas.

Label the shapes in the pictures:



Choose one of the shapes and write a sentence to describe it:

Encourage children to use their own ideas, and draw on vocabulary in the text for support.