

Roman numerals

1 Complete the tables.

10		30	40	50	60		80	90	100
X	XX		XL	L		LXX			C

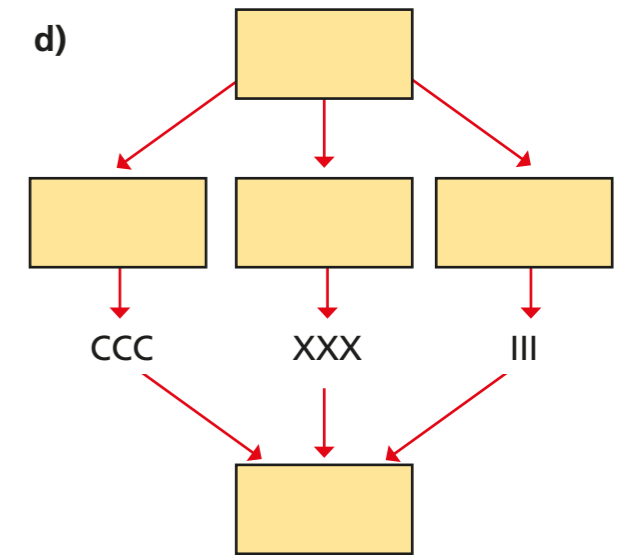
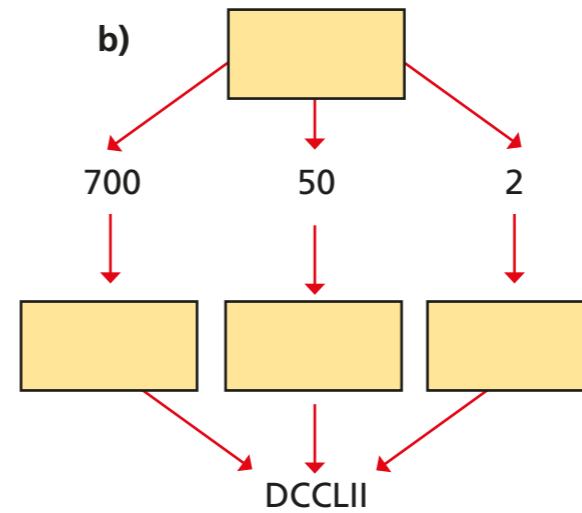
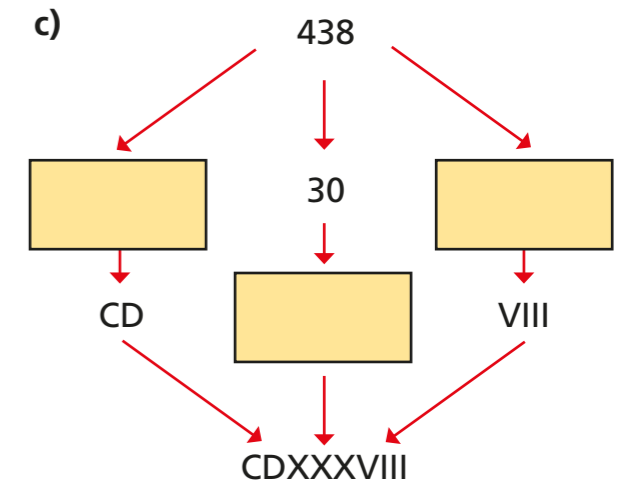
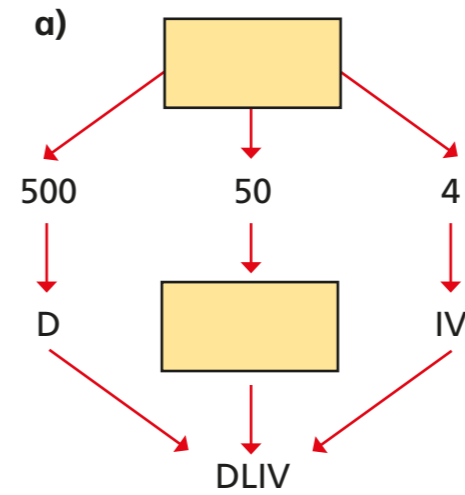
100	200	300	400		600	700		900	1,000
		CCC		D	DC		DCCC		M

2

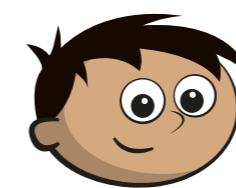


What year is shown at the end of the film?

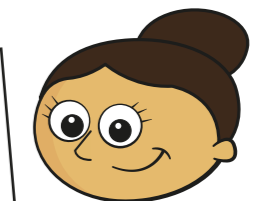
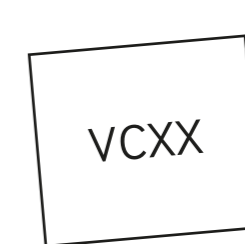
3 Write the numerals and Roman numerals to complete the diagrams.



4 Dora and Amir are writing 520 in Roman numerals.



Amir



Dora

a) Who is correct? _____

b) What mistake has the other person made?



5 Complete the table.

Numerals	Words	Roman numerals
52		
	six hundred and thirty-five	
		CMXCI
	four hundred and seven	
		DCCCXXXIX

6 Match the calculations to the answers.

XXVII + III

D - XXX

M ÷ D

DCCC - CC

L × VII

CDLXX

DC

CCCL

XXX

II

7 Complete the sequences.

a) V, X, , XX, , XXX, ,

b) C, CL, , CCL, CCC, , ,

c) X, XX, XXX, , , LX, ,

d) III, , IX, , XV, XVIII, ,

8



a) What month is shown? _____

b) What year is shown?

c) Write today's date in Roman numerals.
