

Today, you are investigating how air resistance works using the paper helicopters!

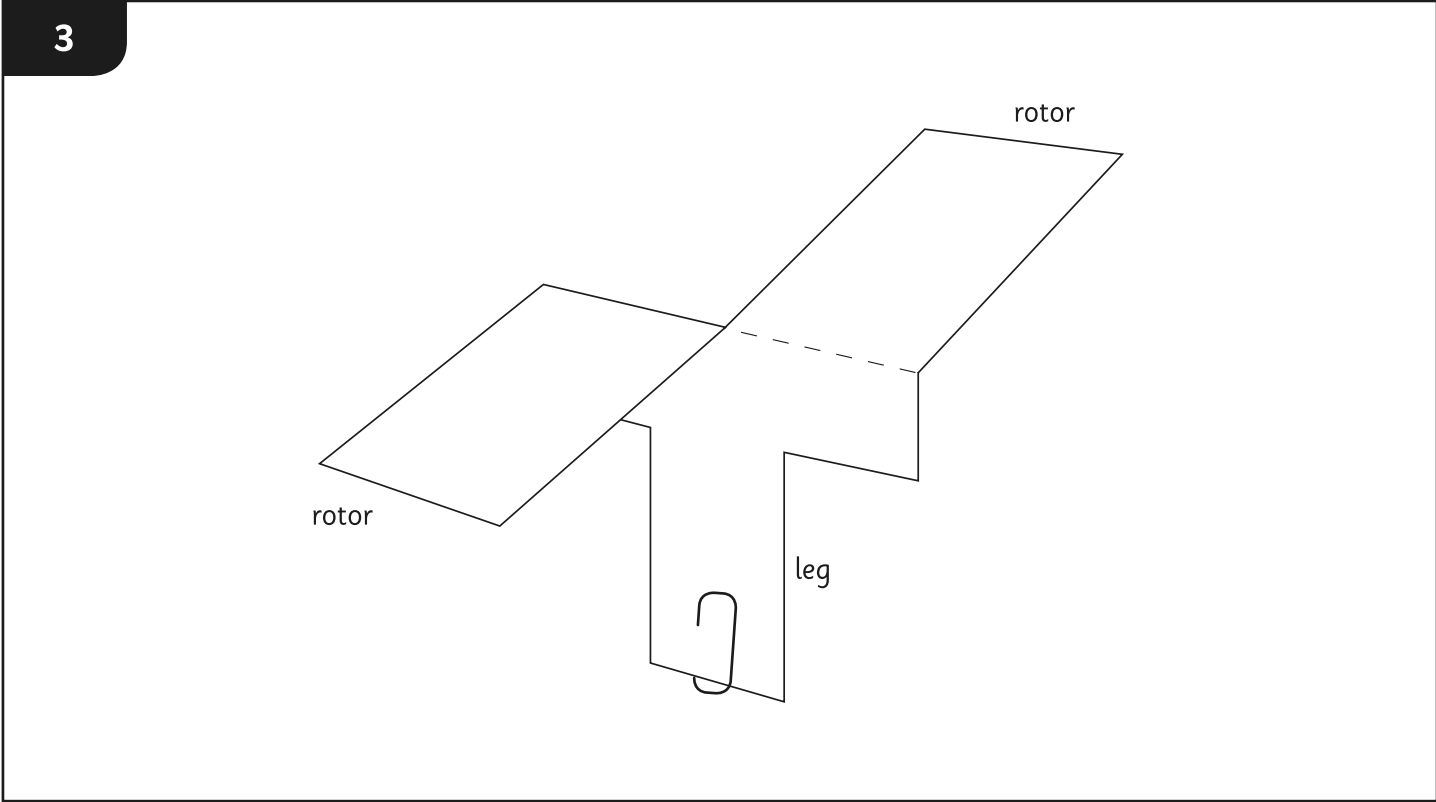
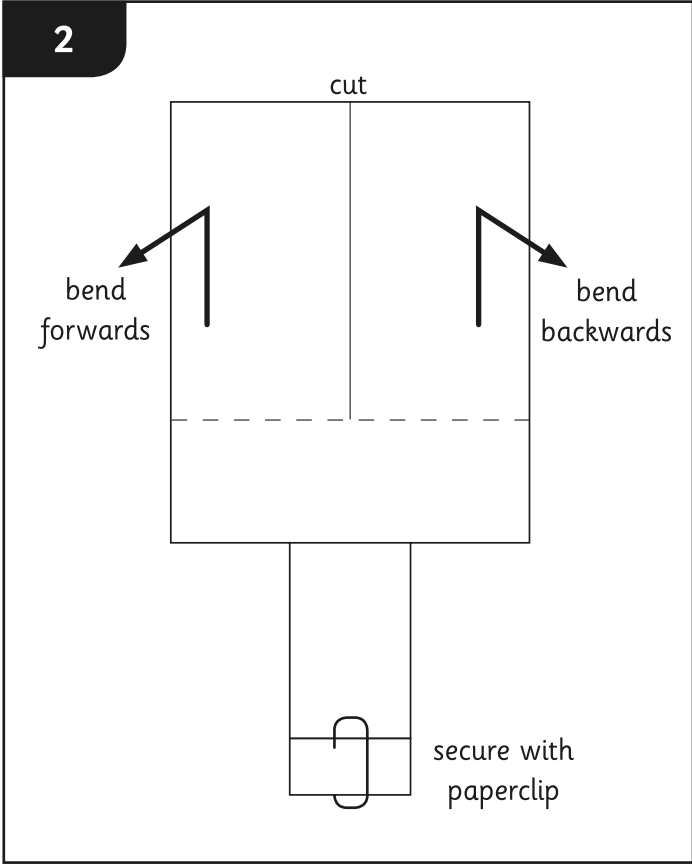
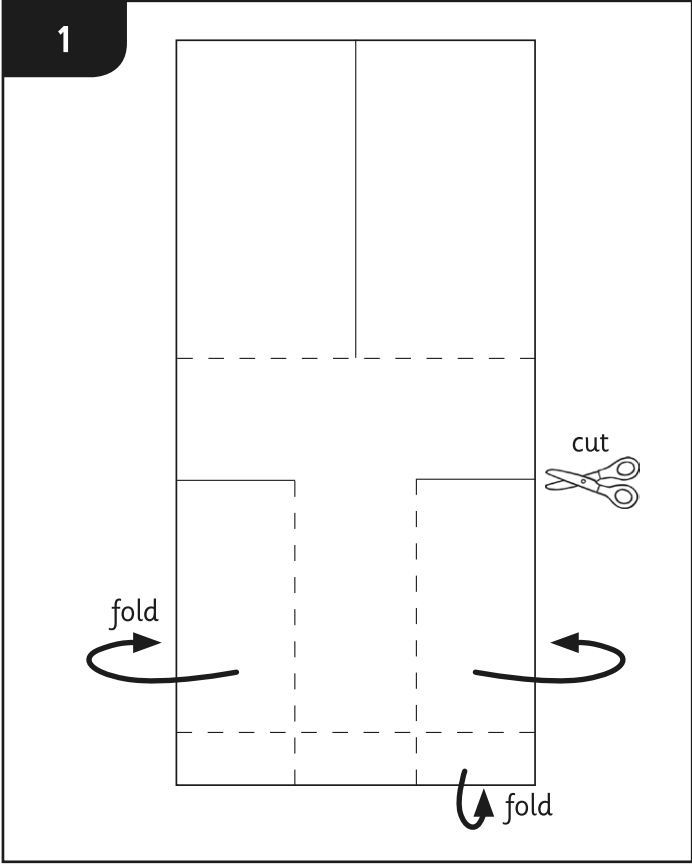
You need to print out and assemble the template (or alternatively if you do not have a printer, make your own!)

Then, fill in the chart below to explain what happened.

What experiment are you doing?	
What STEM learning are you doing?	
What are you using for your experiment?	
What happened (results of your experiment)?	
What could you do differently next time?	

Paper Helicopter Instructions

Cut along the solid lines and fold along the dashed lines.



Paper Helicopter Template

