

The edge of each cube is **1.5 centimetres**.

He makes a larger cube out of the small cubes.

The **volume** of this larger cube is **216 cm<sup>3</sup>**.

How many small cubes does he use?

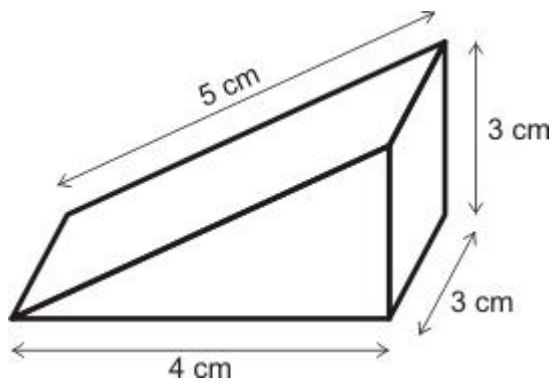
Show your method

2 mark

**Q3.**

Calculate the volume of the prism.

*(Not to scale)*

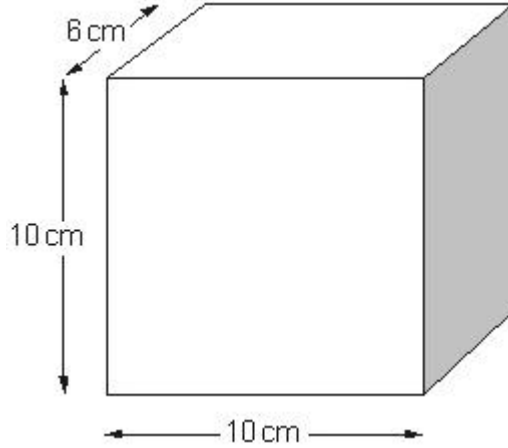


<b>cm<sup>3</sup></b>
-----------------------

**Q4.**

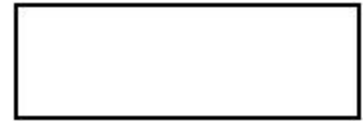
**Volume**

(a) The diagram shows a cuboid.



Not drawn accurately

What is the volume of this cuboid?



2 marks

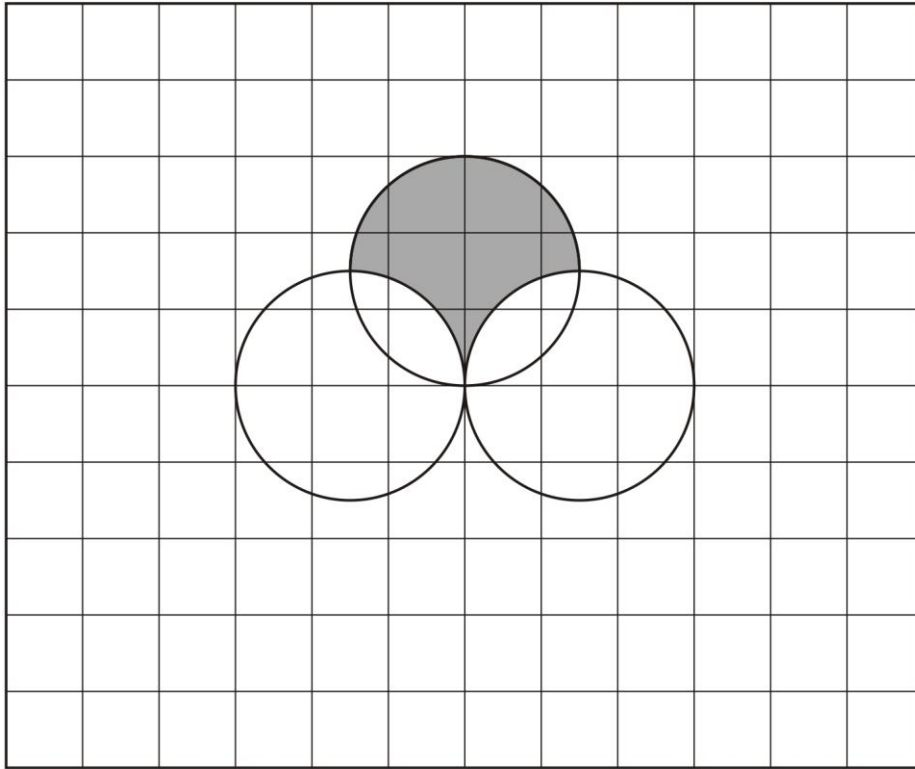
(b) The volume of a different cuboid is **half the volume** of the cuboid in part (a).

What could the **dimensions** of this different cuboid be?

\_\_\_\_\_ cm by \_\_\_\_\_ cm by \_\_\_\_\_ cm  
1 mark

**Q5.**

A design is made using three circles on a 1 centimetre grid.



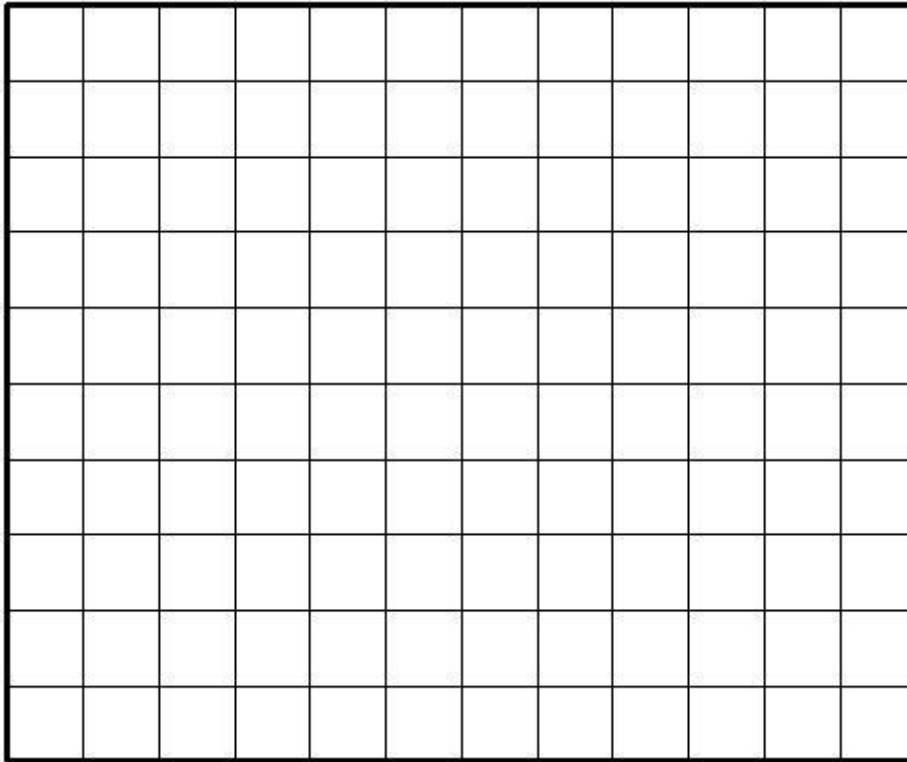
Find the **perimeter** of the shaded part of the design, correct to 1 decimal place.

Show  
your  
method

2 marks

On this grid, draw the **shaded part** of the design **enlarged** by a scale factor of **2**.

You **MUST** use a pair of compasses.

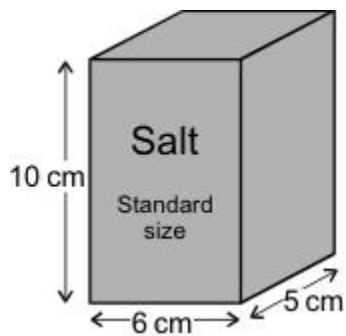


2 marks

**Q6.**

**Salt**

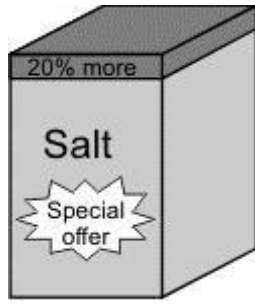
- (a) What is the volume of this **standard size** box of salt?



$\text{cm}^3$
---------------

1 mark

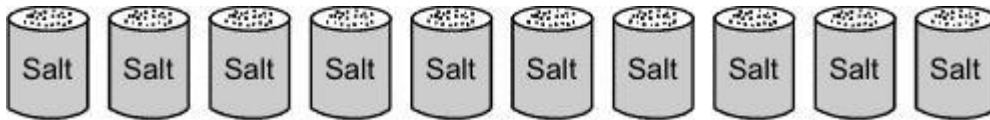
- (b) What is the volume of this **special offer** box of salt, which is **20% bigger**?



$\text{cm}^3$

2 marks

The **standard size** box contains enough salt to fill up **10** salt pots



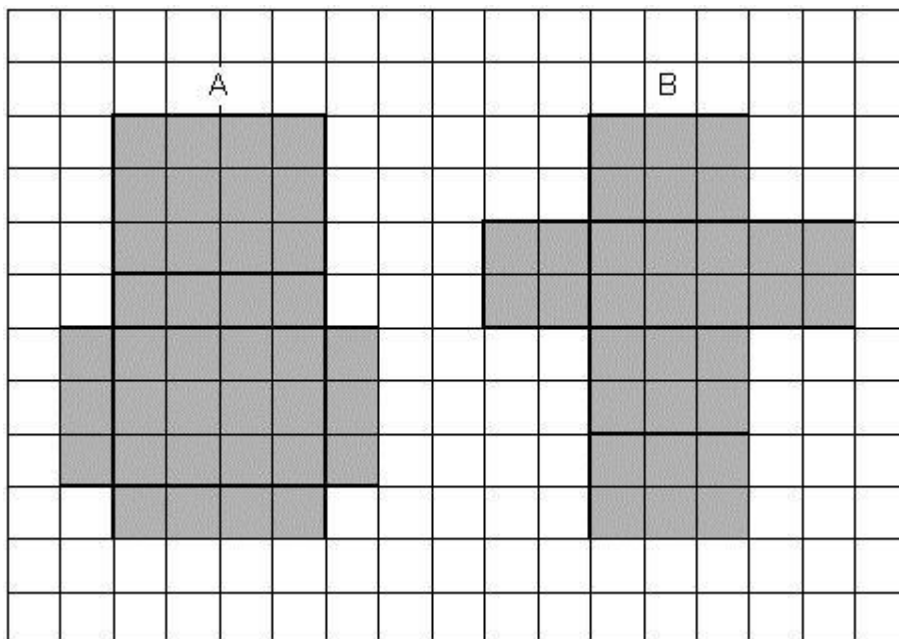
(c) How many salt pots may be filled up from the **special offer** box of salt?

1 mark

### Q7.

#### Nets

The squared paper shows the nets of cuboid A and cuboid B.



(a) Do the cuboids have the **same surface area**?

Show calculations to explain how you know.

---

---

---

**1 mark**

(b) Do the cuboids have the **same volume**?

Show calculations to explain how you know.

---

---

---

**2 marks**

