

Supporting Information (SI)

Probing a Non-Thermal Plasma Activated Heterogeneously Catalysed Reaction Using *in Situ* DRIFTS-MS

C.E. Stere¹, W. Adress², R. Burch¹, S. Chansai¹, A. Goguet¹, W. G. Graham^{*2} and
C. Hardacre^{*1}

¹*Centre for the Theory and Application of Catalysis, CenTACat, School of Chemistry and
Chemical Engineering, Queen's University Belfast, Belfast, N. Ireland, U.K.*

²*Centre for Plasma Physics, School of Mathematics and Physics, Queen's University
Belfast, N. Ireland, U.K*

Corresponding author: (*)c.hardacre@qub.ac.uk, b.graham@qub.ac.uk

Figure S1 shows typical current-voltage sinusoidal waveforms when the discharge was present. There is a clear phase difference of about 90° between the current and voltage, the same as when the discharge was turned off.

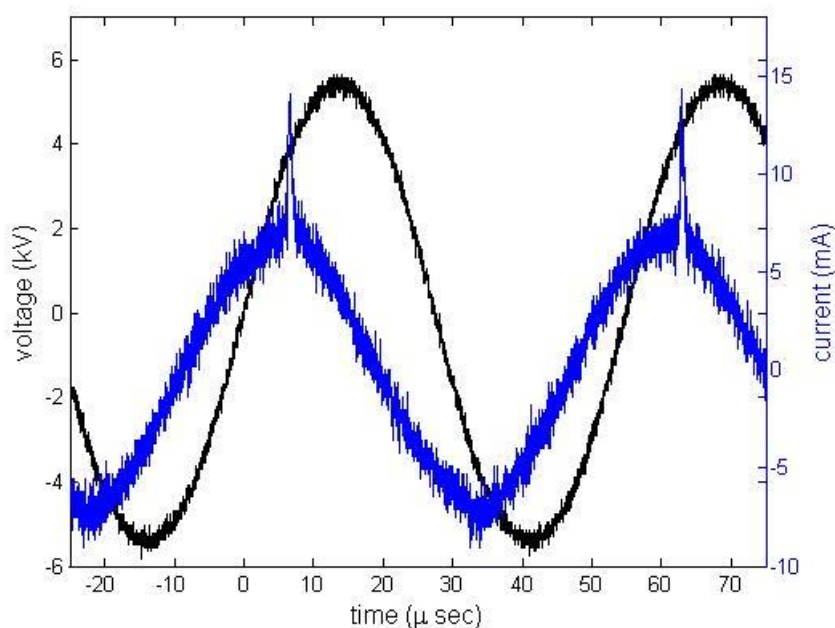


Figure S1: Typical one cycle current and voltage sinusoidal waveforms at 6 kV applied voltage, 18.5 kHz and a 2000 cm³ min⁻¹ gas flow.

The instantaneous input power P_{in} and the power dissipated during the discharge process P_{dis} are given by the following expressions [1]:

$$P_{in} = V_a(t) I_{DBD}(t) \quad (1)$$

$$P_{dis} = V_{gap}(t) I_{gap}(t) \quad (2)$$

The mean value of the input power and the consumed power are defined by the following integration over one wave cycle:

$$\langle P_{in} \rangle = \frac{1}{T} \int_0^T P_{in}(t) dt \quad (3)$$

$$\langle P_{dis} \rangle = \frac{1}{T} \int_0^T P_{dis}(t) dt \quad (4)$$

The mean value of the input power and the consumed power in the DBD plasma, under typical operational conditions (6kV, 20 kHz and 2000 cm³ min⁻¹ gas flow rate), were found to be 12 W, and 5W, respectively (with an actual plasma current between 5-5.5 mA).

Figure S2 shows the experimental data of the nitrogen emission line (377-381 nm) for the toluene-SCR reaction, which corresponds to a rotational gas temperature of 91°C at 6kV and 102°C at 7 kV applied voltage.

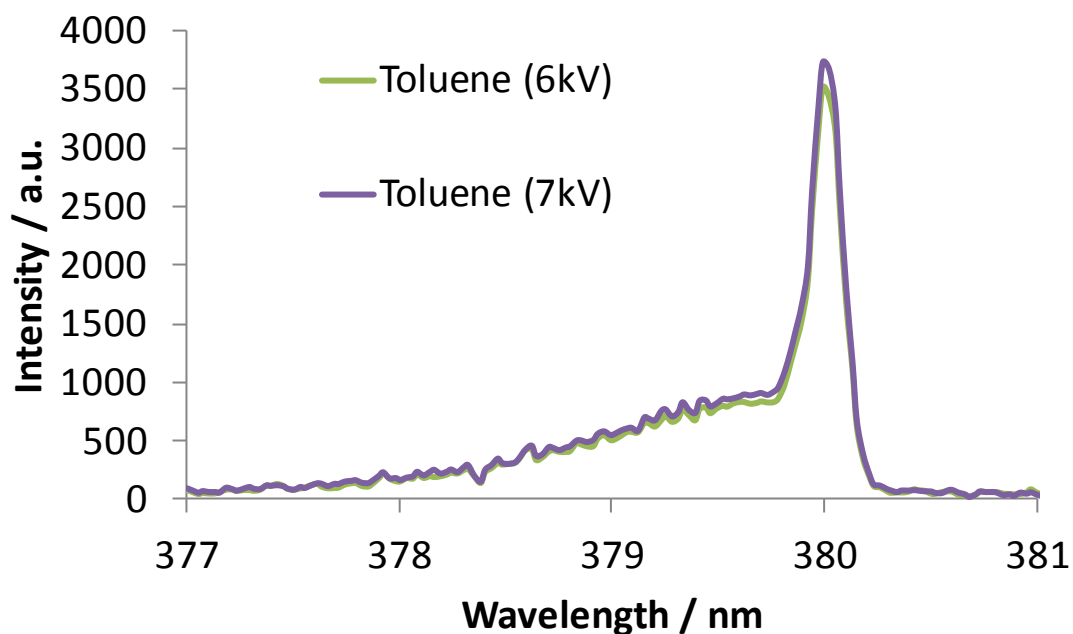


Figure S2: Experimental emission spectra of the second positive system of nitrogen for the toluene-SCR reaction at 6 and 7 kV applied voltage.

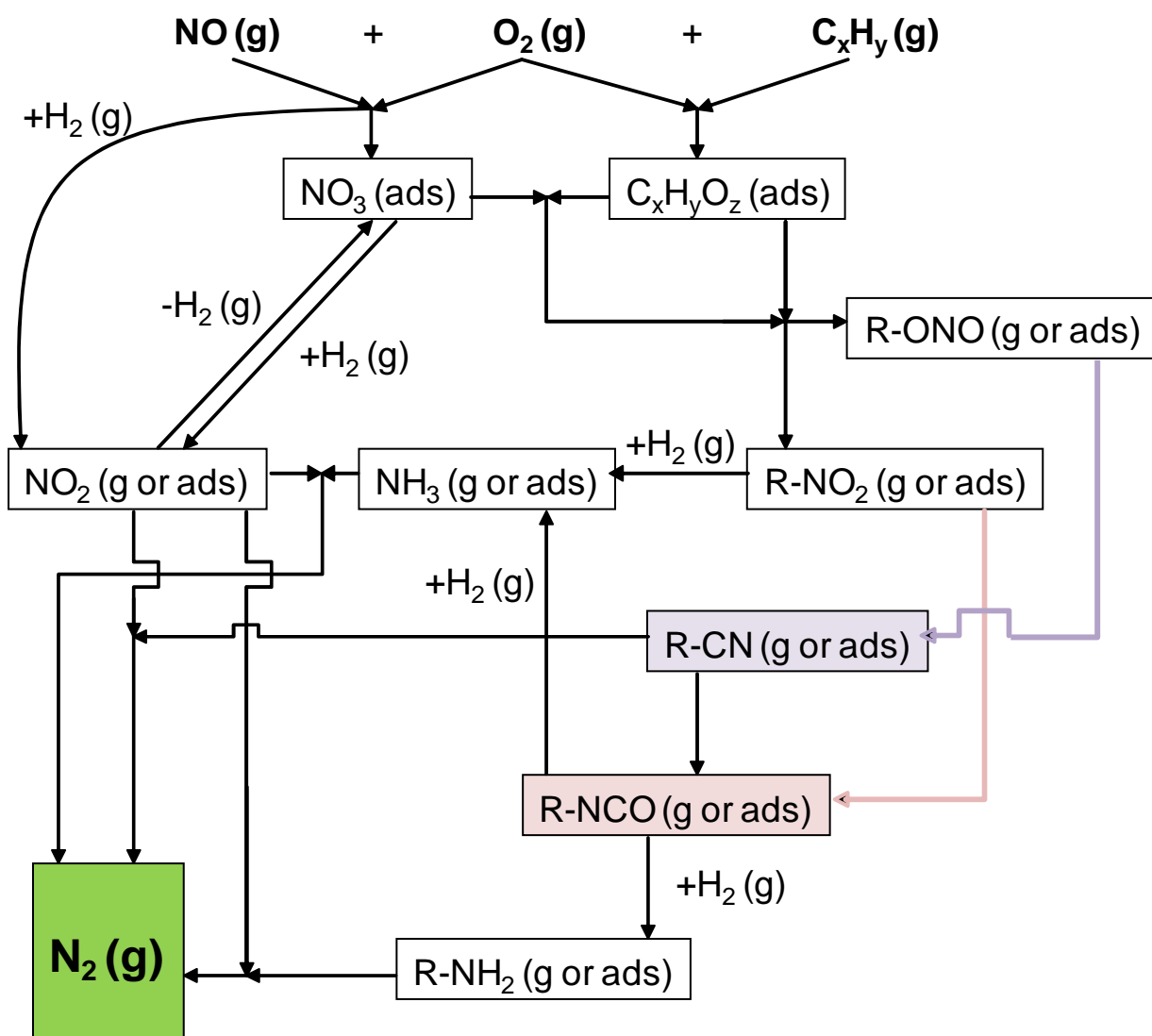


Figure S3: Reaction pathways for HC-SCR deNO_x reaction over a silver-based catalyst (adapted from ref [2,3,4]).

References

- [1] Liu, S.; Neiger, M. *J. Phys. D: Appl. Phys.* **2003**, 36, 3144-3150.
- [2] Shibata, J.; Shimizu, K.; Satokawa, S.; Satsuma, A.; Hattori, T. *Phys. Chem. Chem. Phys.* **2003**, 5, 2154-2160.
- [3] Breen, J.P.; Burch, R.; Hardacre, C.; Hill, C.J.; Rioche, C. *J. Catal.* **2007**, 246, 1-9.
- [4] Eränen, K.; Klingstedt, F.; Arve, K.; Lindfors, L.E.; Murzin, D.Y. *J. Catal.* **2004**, 227, 328-343.