

Supporting Information:

Harvesting Low-Frequency (< 5 Hertz) Irregular Mechanical Energy: A Possible Killer-Application of Triboelectric Nanogenerator

Yunlong Zi^{†‡}, Hengyu Guo^{†§‡}, Zhen Wen^{†±‡}, Min-Hsin Yeh[†], Chenguo Hu[§], Zhong Lin Wang^{†//}*

[†] School of Materials Science and Engineering, Georgia Institute of Technology, Atlanta, GA 30332, United States

[§] Department of Applied Physics, Chongqing University, Chongqing 400044, China

[±] State Key Laboratory of Silicon Materials, School of Materials Science & Engineering, Cyrus Tang Center for Sensor Materials and Applications, Zhejiang University, Hangzhou 310027, China

^{//} Beijing Institute of Nanoenergy and Nanosystems, Chinese Academy of Sciences, Beijing 100083, China

[‡] These authors contributed equally to this work.

* Correspondence and requests for materials should be addressed to Z.L.W. (email:

zhong.wang@mse.gatech.edu)

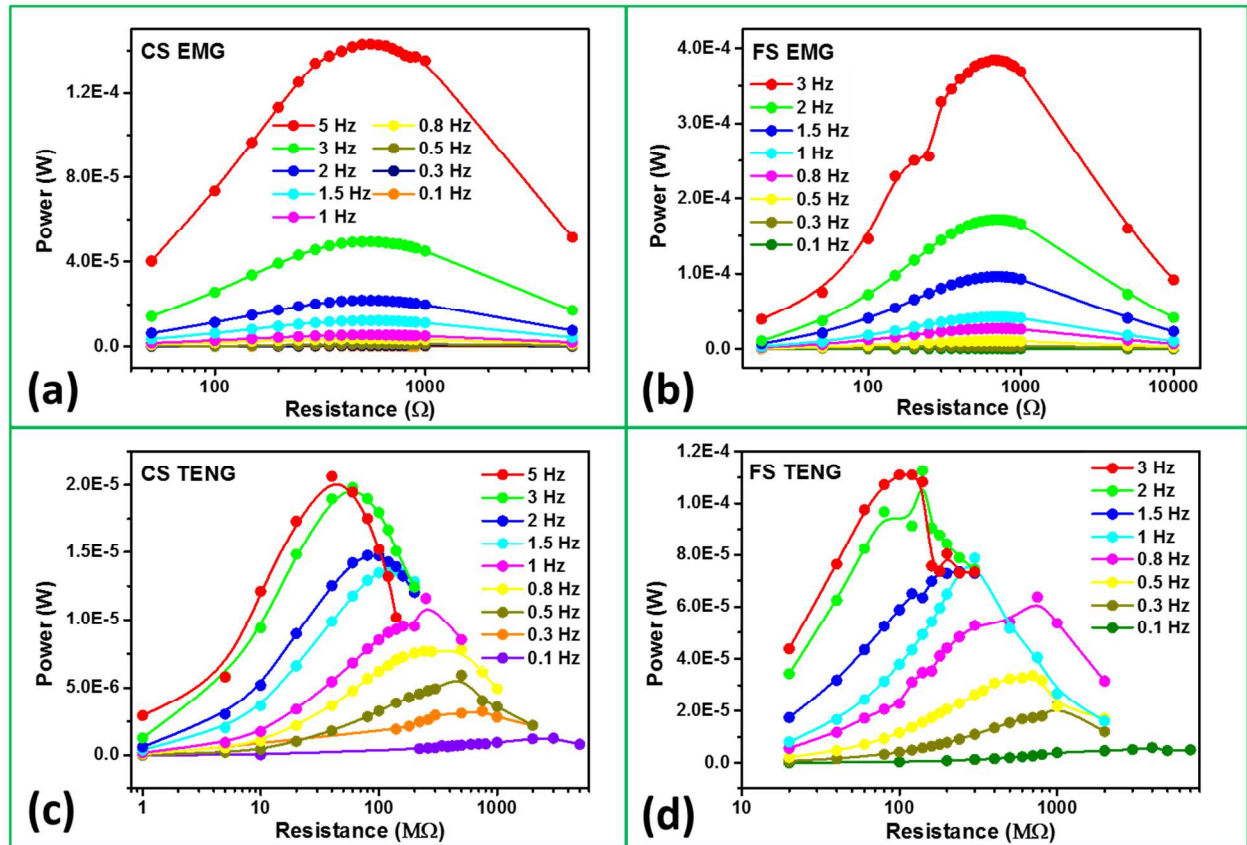


Figure S1. The measured average power output (without the rectifier) versus external load resistance for (a) CS mode and (b) FS mode EMG and (c) CS mode and (d) FS mode TENG.

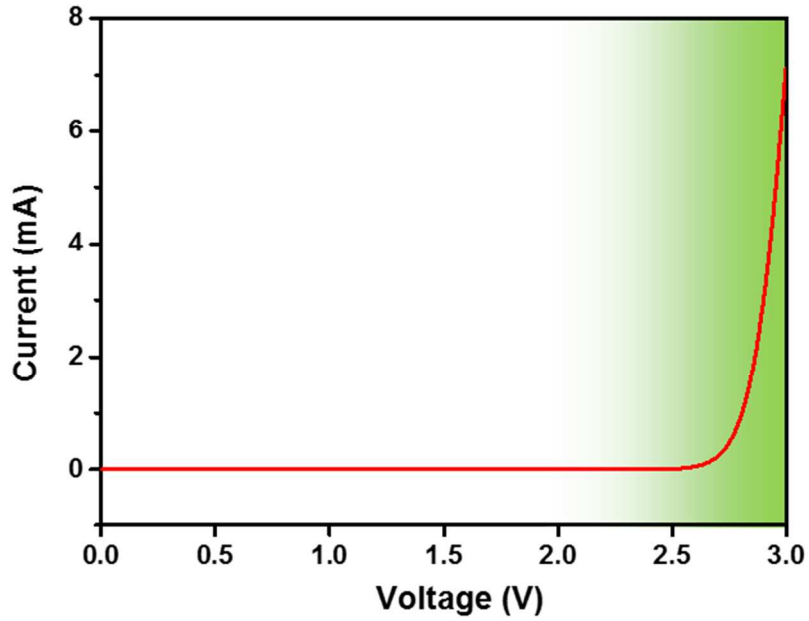


Figure S2. The I - V curve of the LED. The green area denotes the voltage area with the LED lighted.

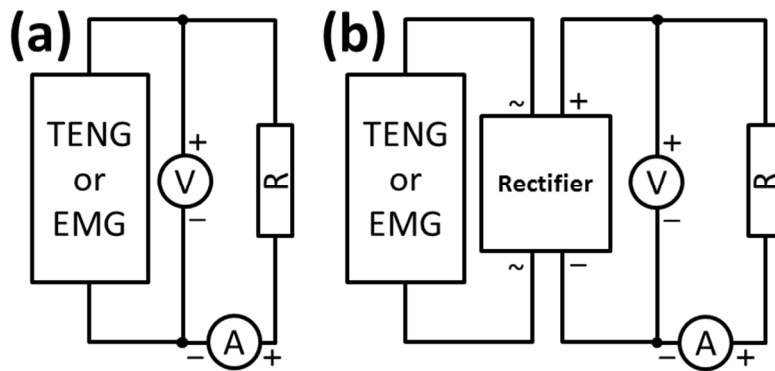


Figure S3. The schematic diagram for power output measurement (a) without and (b) with connecting to a rectifier.