

J | A | C | S

JOURNAL OF THE AMERICAN CHEMICAL SOCIETY

J. Am. Chem. Soc., 1998, 120(34), 8805-8811, DOI:[10.1021/ja981670w](https://doi.org/10.1021/ja981670w)

Terms & Conditions

Electronic Supporting Information files are available without a subscription to ACS Web Editions. The American Chemical Society holds a copyright ownership interest in any copyrightable Supporting Information. Files available from the ACS website may be downloaded for personal use only. Users are not otherwise permitted to reproduce, republish, redistribute, or sell any Supporting Information from the ACS website, either in whole or in part, in either machine-readable form or any other form without permission from the American Chemical Society. For permission to reproduce, republish and redistribute this material, requesters must process their own requests via the RightsLink permission system. Information about how to use the RightsLink permission system can be found at <http://pubs.acs.org/page/copyright/permissions.html>



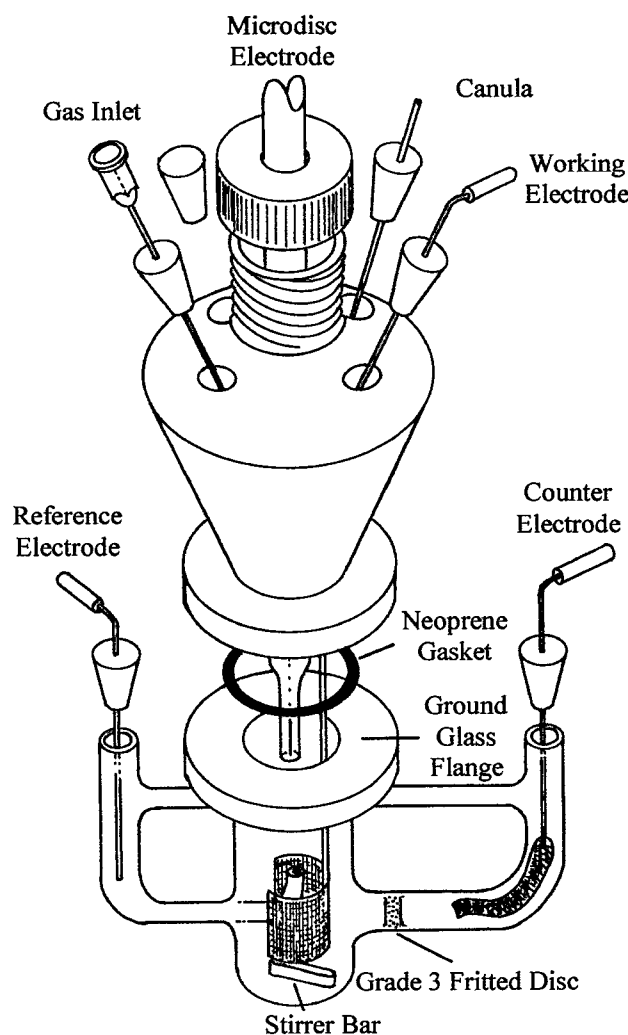
ACS Publications

MOST TRUSTED. MOST CITED. MOST READ.

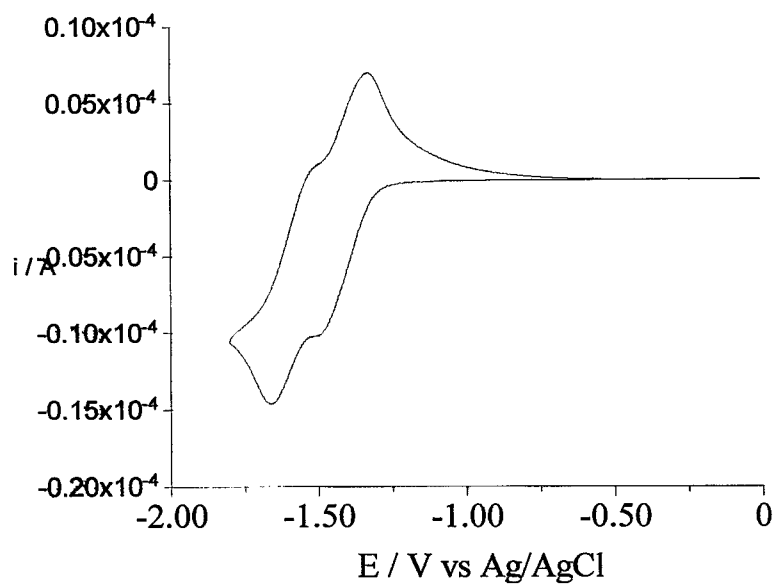
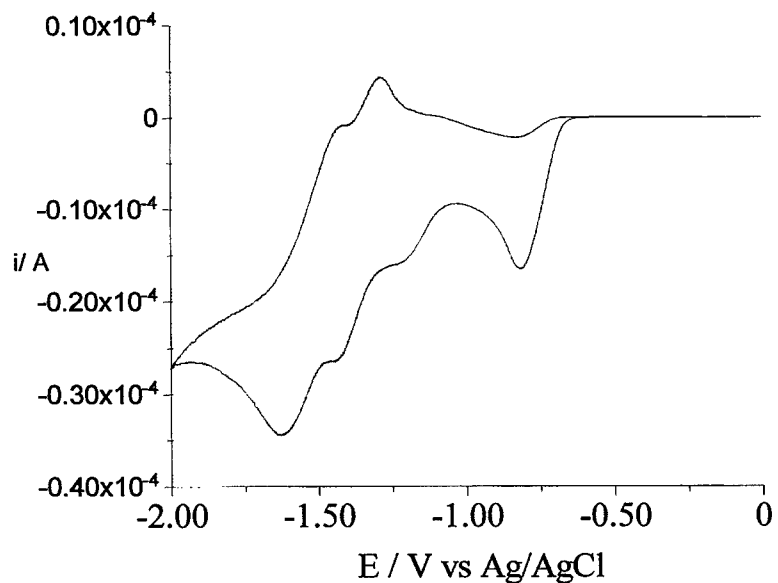
Copyright © 1998 American Chemical Society

Brown, Guo, Mosselmanns, Parsons, Schröder and Yellowlees, Structural and Voltammetric Studies of the Reduction of the Bis(2,2'-bipyridyl)platinum(II) Cation in Aprotic Media.

Supporting Figure 1. Electrogeneration cell designed to reduce the volume of solution required. The lower half of the cell is of all-glass construction, the upper half machined from Teflon, the two halves held together by a spring clip. Internal diameter of cell approximately 10 mm. Both the gas inlet and canula are constructed from 22 gauge stainless steel needles.



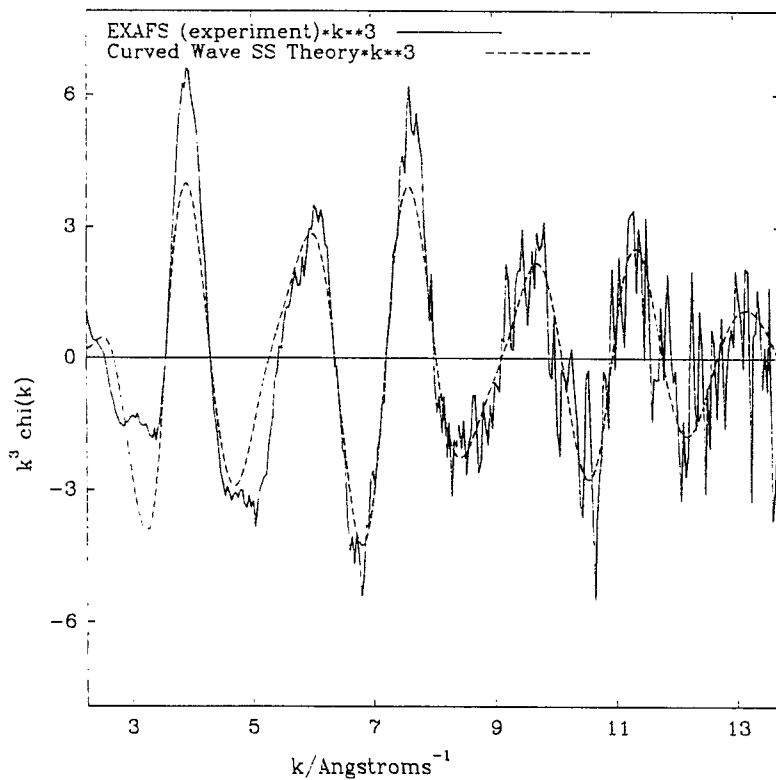
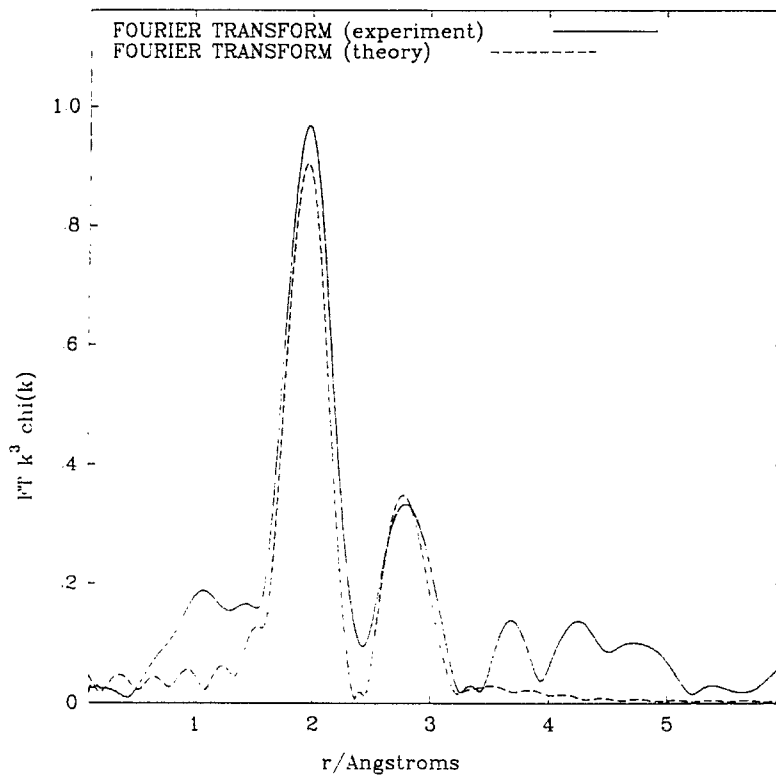
Supporting Figure 2. Typical voltammograms recorded at a 500 μ m diameter electrode in the cell shown in Supporting Figure 1, for 50mmoldm⁻³ [Pt(bpy)₂][BF₄]₂ in N,N-dimethylformamide before (upper figure) and after (lower figure) exhaustive electrolysis at -1.0V vs. Ag/AgCl.



Guo, Schröder

Brown, Mosselmann, Parsons and Yellowlees: Bulk Electrolysis Without Inert Electrolyte; Structural and Voltammetric Studies on the Reduction of the Bis(2,2'-bipyridyl)platinum(II) Cation in Aprotic Media.

Supporting Figure 3 Demonstration of closeness of fit between theory and experiment for the EXAFS results



Brown, Guo, Mosselmans, Parsons, Schröder and Yellowlees. Structural and Voltammetric studies on the Reduction of the Bis(2,2'-bipyridyl)platinum(II) Cation in Aprotic Media.

Supporting Table 1. Atomic co-ordinates and equivalent isotropic displacement parameters for $[\text{Pt}_2(\text{bpy})_3][\text{BF}_4]_2$.

Atomic coordinates ($\times 10^4$), equivalent isotropic displacement parameters ($\text{\AA}^2 \times 10^3$) and site occupancies for 1. $U(\text{eq})$ is defined as one third of the trace of the orthogonalized U_{ij} tensor.

	x	y	z	U(eq)	Occ
PT1	357(1)	4913(1)	1929(1)	33	1.00
N11	-210(3)	6472(4)	1458(3)	38	1.00
C21	-834(4)	7099(5)	1708(3)	42	1.00
C31	-1161(4)	8193(6)	1390(4)	50	1.00
C41	-844(5)	8653(5)	787(4)	49	1.00
C51	-220(4)	7986(5)	507(3)	43	1.00
C61	91(4)	6907(5)	845(3)	38	1.00
C71	731(4)	6101(6)	569(3)	42	1.00
C81	1090(4)	6354(6)	-65(3)	50	1.00
C91	1636(4)	5523(8)	-303(4)	53	1.00
C101	1820(4)	4414(6)	83(3)	46	1.00
C111	1460(4)	4196(6)	706(3)	46	1.00
N121	928(4)	5040(4)	951(4)	39	1.00
N21	958(3)	3404(4)	2441(3)	39	1.00
C22	1842(4)	3410(5)	2667(3)	41	1.00
C32	2289(4)	2477(5)	3088(4)	48	1.00
C42	1823(4)	1495(6)	3284(4)	48	1.00
C52	905(4)	1464(5)	3036(3)	42	1.00
C62	490(4)	2438(5)	2626(3)	39	1.00
B1	3606(5)	5311(8)	3717(4)	50	1.00
F1	2836(3)	5962(5)	3527(3)	81	1.00
F2	4317(3)	6112(4)	3881(2)	72	1.00
F3	3722(3)	4555(4)	3122(2)	60	1.00
F4	3570(3)	4581(4)	4341(2)	59	1.00
H211	-1075	6765	2141	41	1.00
H311	-1626	8650	1595	50	1.00
H411	-1062	9459	557	47	1.00
H511	5	8288	57	42	1.00
H811	948	7146	-342	50	1.00
H911	1903	5704	-751	50	1.00
H1011	2210	3787	-91	46	1.00
H1111	1590	3401	983	45	1.00
H221	2188	4120	2525	41	1.00
H321	2948	2512	3250	47	1.00
H421	2135	816	3600	47	1.00
H521	553	742	3154	40	1.00

Brown, Guo, Mosselmans, Parsons, Schröder and Yellowlees. Structural and Voltammetric studies on the Reduction of the Bis(2,2'-bipyridyl)platinum(II) Cation in Aprotic Media.

Supporting Table 2. Anisotropic displacement parameters for [Pt₂(bpy)₃][BF₄]₂.

Anisotropic displacement parameters (Å² x 10³) for 1.
 The anisotropic displacement factor exponent takes the form:
 $-2 \pi^2 [h^2 a^{*2} U_{11} + \dots + 2 h k a^* b^* U_{12}]$

	U11	U22	U33	U23	U13	U12
PT1	39(1)	28(1)	32(1)	0(1)	10(1)	0(1)
N11	41(3)	37(3)	35(2)	4(2)	6(2)	0(2)
C21	49(3)	31(3)	44(3)	3(2)	8(3)	6(2)
C31	53(4)	48(4)	50(4)	-2(3)	10(3)	7(3)
C41	64(4)	32(3)	50(3)	0(2)	6(3)	3(3)
C51	47(3)	37(3)	43(3)	5(2)	2(3)	-10(2)
C61	38(3)	37(3)	35(3)	-4(2)	-2(2)	-10(2)
C71	43(3)	42(3)	39(3)	0(2)	4(3)	-9(2)
C81	52(4)	57(4)	43(3)	7(3)	16(3)	-5(3)
C91	43(4)	79(5)	36(3)	3(3)	11(3)	-14(3)
C101	44(3)	53(4)	42(3)	-9(3)	12(3)	-8(3)
C111	50(4)	40(3)	47(3)	-7(3)	6(3)	-5(2)
N121	40(3)	32(3)	45(3)	-3(2)	10(3)	-5(2)
N21	43(3)	38(2)	37(2)	0(2)	11(2)	1(2)
C22	43(3)	39(3)	42(3)	-1(2)	7(2)	3(2)
C32	47(3)	39(3)	56(4)	-6(3)	10(3)	5(2)
C42	50(4)	37(3)	54(4)	6(3)	5(3)	9(3)
C52	51(4)	24(3)	53(3)	4(2)	14(3)	1(2)
C62	43(3)	35(3)	41(3)	-2(2)	15(2)	-1(2)
B1	47(4)	62(4)	40(4)	0(3)	10(3)	-1(4)
F1	72(3)	89(3)	85(3)	25(3)	24(2)	29(2)
F2	80(3)	84(3)	57(2)	-16(2)	20(2)	-33(2)
F3	64(2)	67(2)	51(2)	-8(2)	18(2)	-10(2)
F4	64(2)	62(2)	58(2)	9(2)	26(2)	7(2)