

## Supporting Information

# Fog collection on polyethylene terephthalate (PET) fibres: Influence of cross-section and surface structure

*M. A. K. Azad<sup>†\*</sup>, Tobias Krause<sup>†‡</sup>, Leon Danter<sup>§</sup>, Albert Baars<sup>§</sup>, Kerstin Koch<sup>£</sup> & Wilhelm Barthlott<sup>†</sup>*

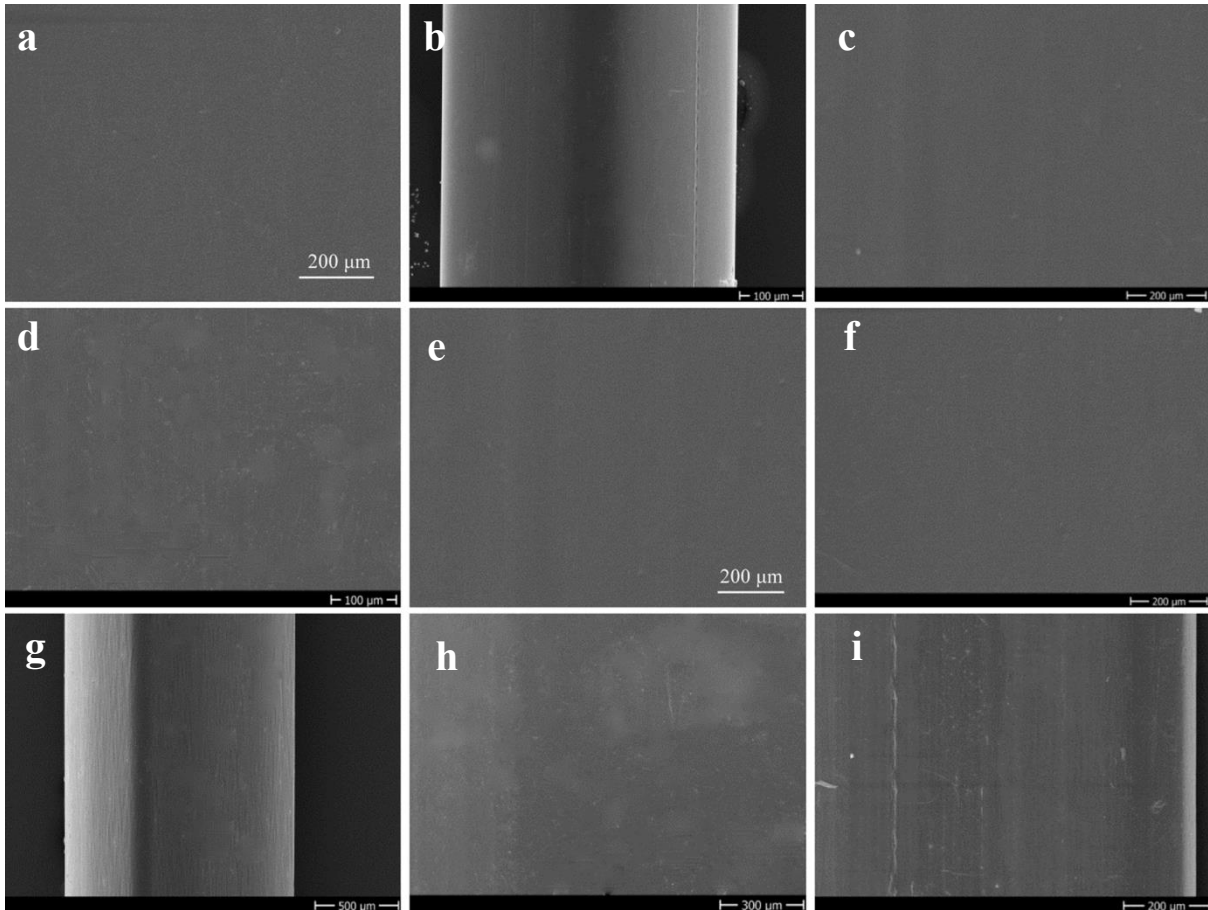
<sup>†</sup>Nees Institute for Biodiversity of Plants, Rheinische Friedrich-Wilhelms-University, Bonn, Germany

<sup>‡</sup>Department of Mechanical Engineering, Westphalian University of Applied Sciences, Bocholt, Germany

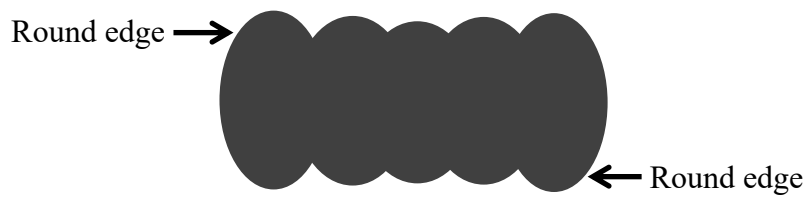
<sup>§</sup>Department of Biomimetics, Faculty of Nature and Technique, Bremen University of Applied Sciences, Bremen, Germany

<sup>£</sup>Faculty of Life Sciences, Rhine-Waal University of Applied Sciences, Kleve, Germany

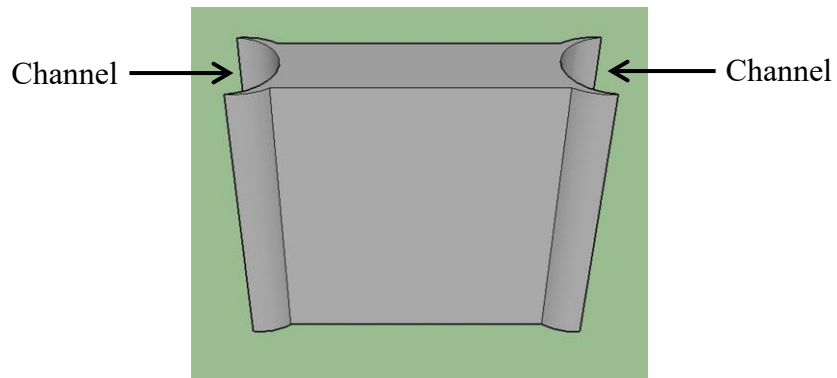
\*Corresponding author: Dr. M. A. K. Azad, email: [azad@uni-bonn.de](mailto:azad@uni-bonn.de); Prof. Dr. Kerstin Koch, email: [kerstin.koch@hochschule-rhein-waal.de](mailto:kerstin.koch@hochschule-rhein-waal.de)



**Figure S1:** Scanning electron micrographs (SEMs) of the surfaces of 9 fiber profiles having smooth surfaces. Figures (a-i) represent the fiber profiles 1, 3, 4, 5, 6, 7, 9, 13 and 14, respectively.



**Figure S2:** Schematic of the cross section of fibre profile 2. Shorter sides of the rectangular fibre have round edges.



**Figure S3:** Schematic of the cross section of fibre profile 14. Channels on the shorter sides of the rectangular fiber can be seen from the top to the bottom.