

Supplemental Figures

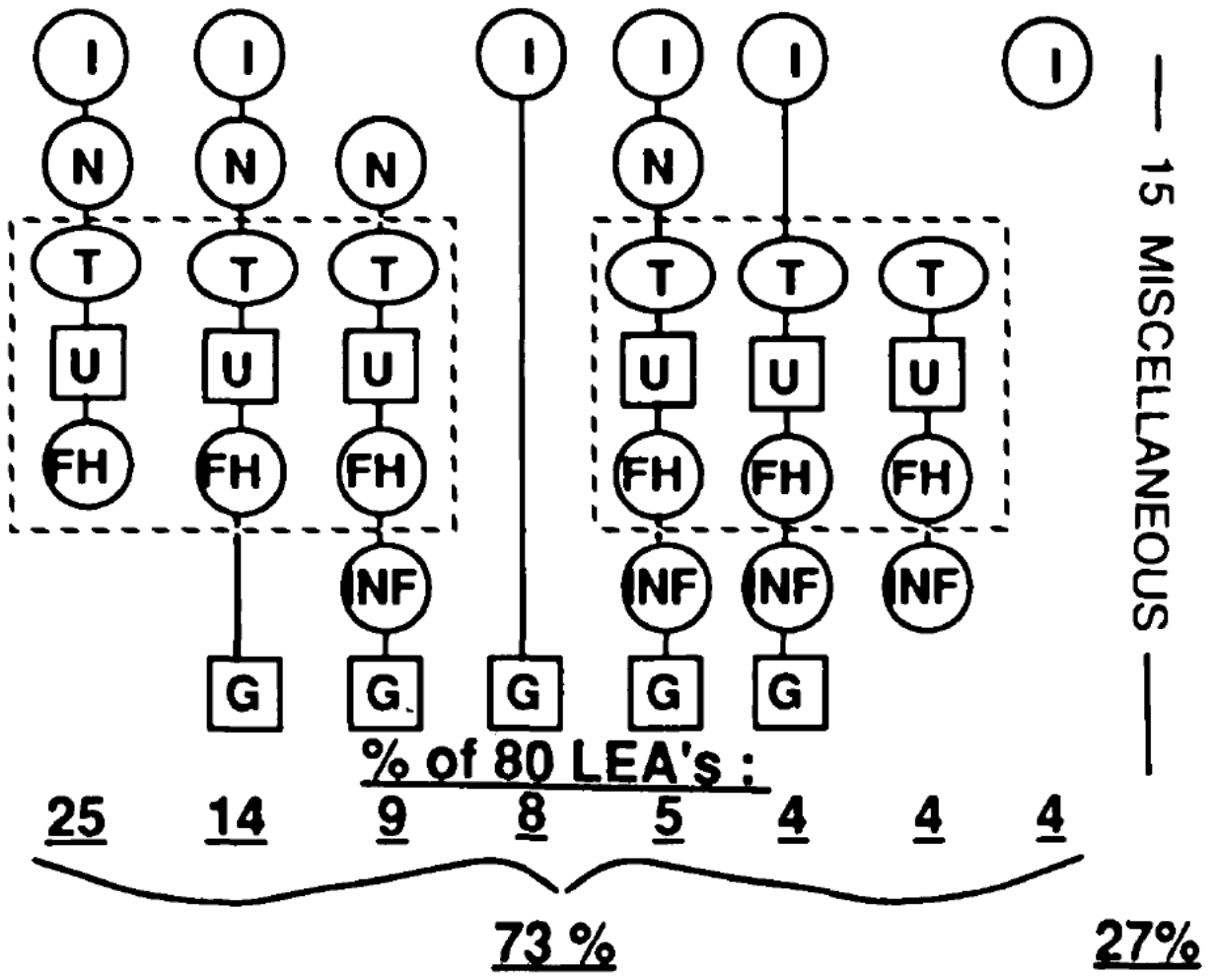
Legend

Supplemental Figure 1S. Most unique causal pathways required interaction of pathophysiological components (ischemia [I], neuropathy [N], infection [INF], faulty wound healing [FH]), pathological conditions (ulceration [U], gangrene [G]), and environmental events (minor trauma [T]). (Reprinted with permission from the American Diabetes Association, Inc. Copyright 1990)

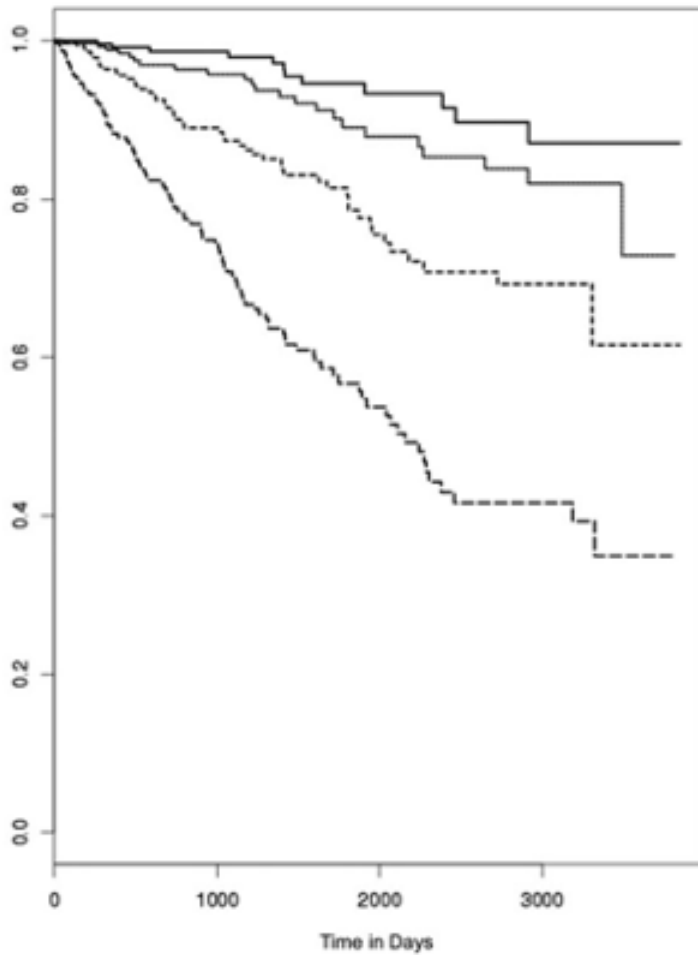
Supplemental Figure 2S. Left - Probability of ulcer-free survival by quartile of risk score. Kaplan-Meier survival curves are shown for the probability of ulcer-free survival (y-axis) in relation to quartile of risk score calculated using commonly available clinical information. The x-axis displays follow-up time since baseline in days. The risk score quartiles can be identified as follows: solid dark line, lowest (0.61–1.47); solid gray line, second lowest (1.48 –1.99); shorter broken line segments, second highest (2.00 –2.61); and longer broken line segments, highest (2.62–5.07). Right - The risk score equation and its calculation. (Reprinted with permission from the American Diabetes Association, Inc. Copyright 2006)

Supplemental Figure 3S. Eight plantar foot location sites for pressure measurement. Ulcer occurrence was assessed at each site in relation to the peak pressure measurement at that site.

Supplemental Figure 1S



Supplemental Figure 2S



Ulcer-Free Survival by Risk Score Quartile

$$\text{Score} = 0.0975 (\text{HbA1c}) + 0.7101 (\text{N}) + 0.3888 (\text{V}) - 0.3206 (\text{TP}) + 0.4579 (\text{O}) + 0.7784 (\text{PHU}) + 0.943 (\text{PHA})$$

- HbA1c value → Enter actual value
 - N = neuropathy
 - V = poor vision
 - TP = tinea pedis
 - O = onychomycosis
 - PHU = past history foot ulcer
 - PHA = past history amputation
- Enter 1 if present

Supplemental Figure 3S

