

Supplementary Table S1. Strains generated for this study.

STRAIN	GENOTYPE	REFERENCE IN TEXT
QP0031	<i>dpy-1(e1),lon-1(e186) III</i>	<i>dpy-1,lon-1</i>
QP0187	<i>dpy-18(e364),unc-64(e246) III</i>	<i>dpy-18,unc-64</i>
QP1253	<i>atm-1(gk186) I;atl-1(tm853) V/nT1[qls51]</i>	<i>atm-1;atl-1</i>
QP1302	<i>mels8 II;him-5(ok1896) V/nT1[qls51]</i>	<i>him-5;mels8</i>
QP1427	<i>spo-11(me44) IV;atl-1(tm853) V/ nT1[qls51]</i>	<i>spo-11;atl-1</i>
QP1428	<i>atm-1(gk186) I;syp-1(me17) V/nT1[qls51]</i>	<i>atm-1;spy-1</i>
QP1429	<i>dsb-2(me96) II;atl-1(tm853) V/nT1[qls51]</i>	<i>dsb-2;atl-1</i>
QP1430	<i>atm-1(gk186) I;dsb-2(me96) II;atl-1(tm853) V/ nT1[qls51]</i>	<i>atm-1;dsb-2;atl-1</i>
QP1431	<i>atl-1(tm853),him-5(ok1896) V/nT1[qls51]</i>	<i>atl-1,him-5</i>
QP1432	<i>atm-1(gk186) I;atl-1(tm853),him-5(ok1896) V/nT1[qls51]</i>	<i>atm-1;atl-1,him-5</i>
QP1437	<i>atm-1(gk186) I;mels8 II</i>	<i>atm-1;mels8</i>
QP1441	<i>atm-1(gk186) I;brc-1(tm1145) III</i>	<i>atm-1;brc-1</i>
QP1635	<i>atm-1(gk186) I;smc-5(ok2421) II/mIn1[dpy-10(e128)]</i>	<i>atm-1;smc-5</i>
QP1659	<i>atm-1(gk186) I;dpy-18(e364),unc-64(e246) III</i>	<i>atm-1;dpy-18,unc-64</i>
QP1660	<i>atm-1(gk186) I;dpy-18(e364),unc-64(e246) III; him-5(ok1896) V</i>	<i>atm-1;him-5;dpy-18,unc-64</i>
QP1661	<i>atm-1(gk186),rad-54(ok615) I/hT2[qls48];him-5(ok1896) V</i>	<i>atm-1;rad-54;him-5</i>
QP1662	<i>atm-1(gk186) I;spo-11(me44) IV/nT1[qls51]</i>	<i>atm-1;spo-11</i>
QP1663	<i>atm-1(gk186) I;dsb-1(we11) IV/nT1[qls51]</i>	<i>atm-1;dsb-1</i>
QP1672	<i>atm-1(gk186) I;him-5(ok1896) V</i>	<i>atm-1;him-5</i>
QP1673	<i>atm-1(gk186) I;dsb-2(me96) II</i>	<i>atm-1;dsb-2</i>
QP1674	<i>dpy-18(e364) unc-64(e246) III;him-5(ok1896) V</i>	<i>him-5;dpy-18,unc-64</i>
QP1675	<i>atm-1(gk186) I;dpy-1(e1),lon-1(e186) III</i>	<i>atm-1;dpy-1,lon-1</i>
QP1676	<i>dpy-1(e1) lon-1(e186) III;him-5(ok1896) V</i>	<i>him-5;dpy-1,lon-1</i>
QP1677	<i>atm-1(gk186) I;dpy-1(e1) lon-1(e186) III;him-5(ok1896) V</i>	<i>atm-1;him-5;dpy-1,lon-1</i>
QP1678	<i>rad-54(ok615) I/hT2[qls48];him-5(ok1896) V</i>	<i>rad-54;him-5</i>
QP1679	<i>smc-5(ok2421) II/min1(?);brc-1(tm1145) III</i>	<i>smc-5;brc-1</i>
QP1680	<i>atm-1(gk186) I;smc-5(ok2421) II/mIn1[dpy-10(e128)];brc-1(tm1145) III</i>	<i>atm-1;smc-5;brc-1</i>
QP1681	<i>atm-1(gk186) I;him-5(ok1896) V;mels8[gfp::cosa-1]</i>	<i>atm-1;him-5;mels8</i>
QP1682	<i>atm-1(gk186) I;smc-5(ok2421) II;spo-11(me44) IV/nT1[qls51]</i>	<i>atm-1;smc-5;spo-11</i>
QP1683	<i>smc-5(ok2421) II;spo-11(me44) IV/nT1[qls51]</i>	<i>smc-5;spo-11</i>

Supplemental Figure S1

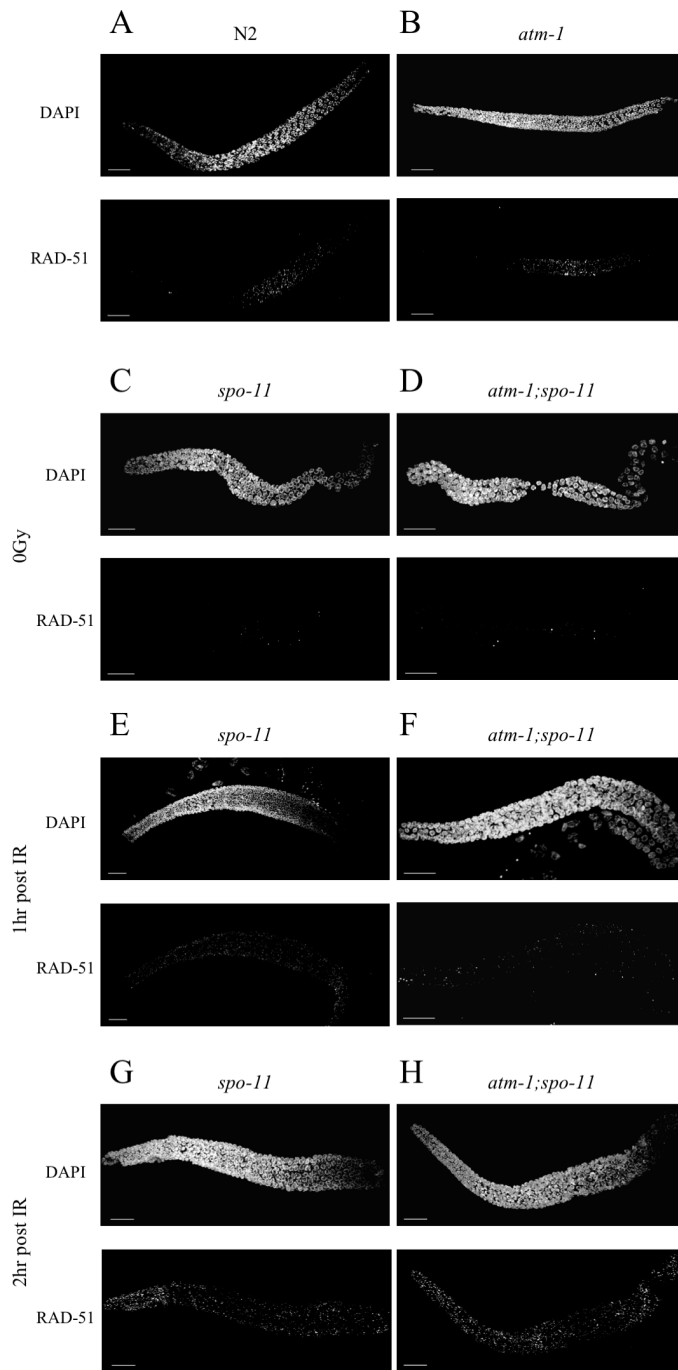


Figure S1. ATM-1 limits the number of RAD-51 foci. (A, B) DAPI (top) and anti-RAD-51 (bottom) stained gonad arms of *N2* (left) and *atm-1* mutant (right) day 1 adult worms. (C-H) DAPI (top) and anti-RAD-51 (bottom) stained gonad arms for time-course IR experiments of *spo-11* (left) and *atm-1;spo-11* mutant (right). Scale bar=20 μ m.

Supplemental Figure S2

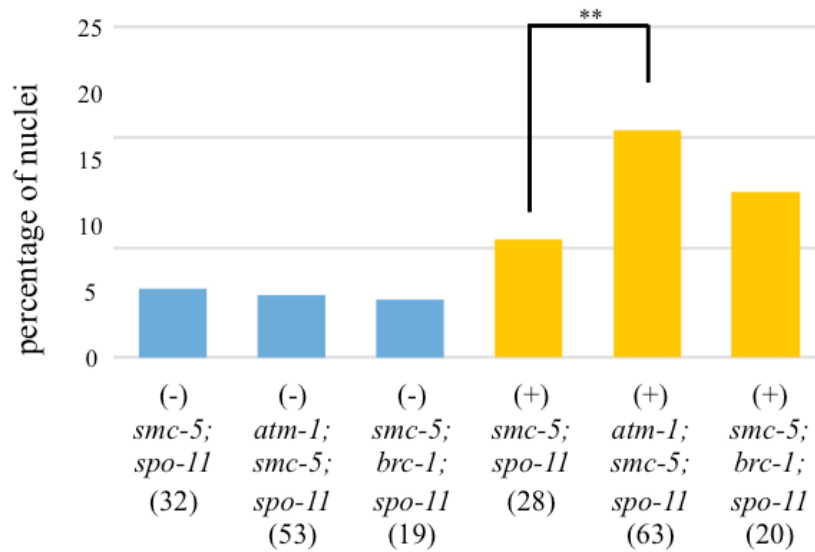


Figure S2. The impact of *atm-1* on inter-sister repair is independent of SPO-11 induced breaks. Mutant nuclei contain more IR-induced fragments in *atm-1; spo-11* compared to *spo-11* when inter-sister repair is impaired by loss of *smc-5* or *brc-1*. Percentage of -1 nuclei containing fragments are shown. Numbers below each genotype indicate the numbers of nuclei analyzed/genotype. (-): non-irradiated; (+): irradiated with 10Gy. **P<0.01, χ^2 test.

Supplemental Figure S3

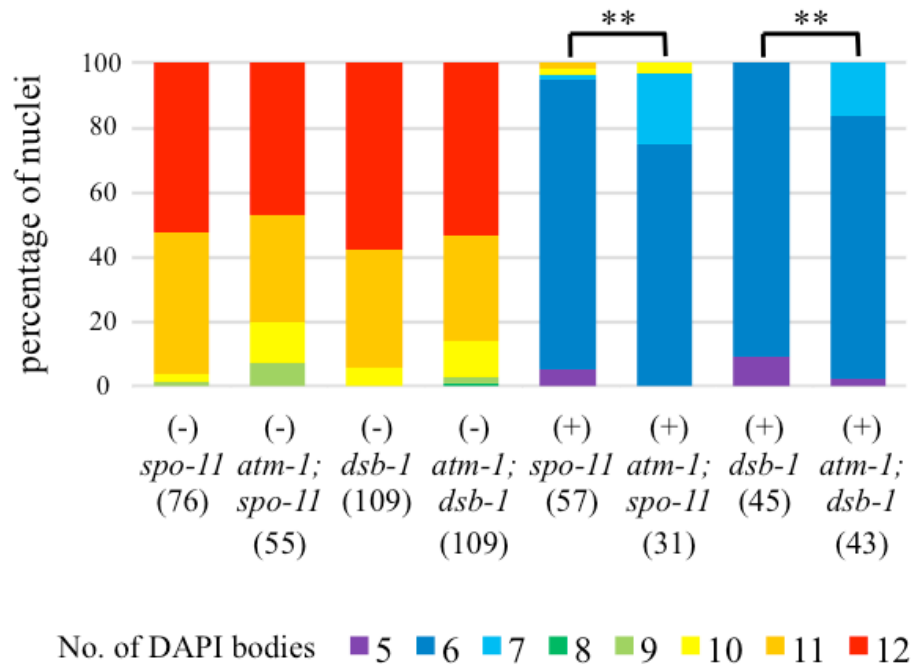


Figure S3. CO formation is impaired in *atm-1* mutants independently of SPO-11. Quantification of -1 nuclei containing the indicated number of DAPI bodies. (-): non-irradiated; (+): irradiated with 10Gy. Numbers below each genotype indicate the numbers of nuclei analyzed for that column. **P<0.01, wo-tailed Mann Whitney test.

Supplemental Figure S4

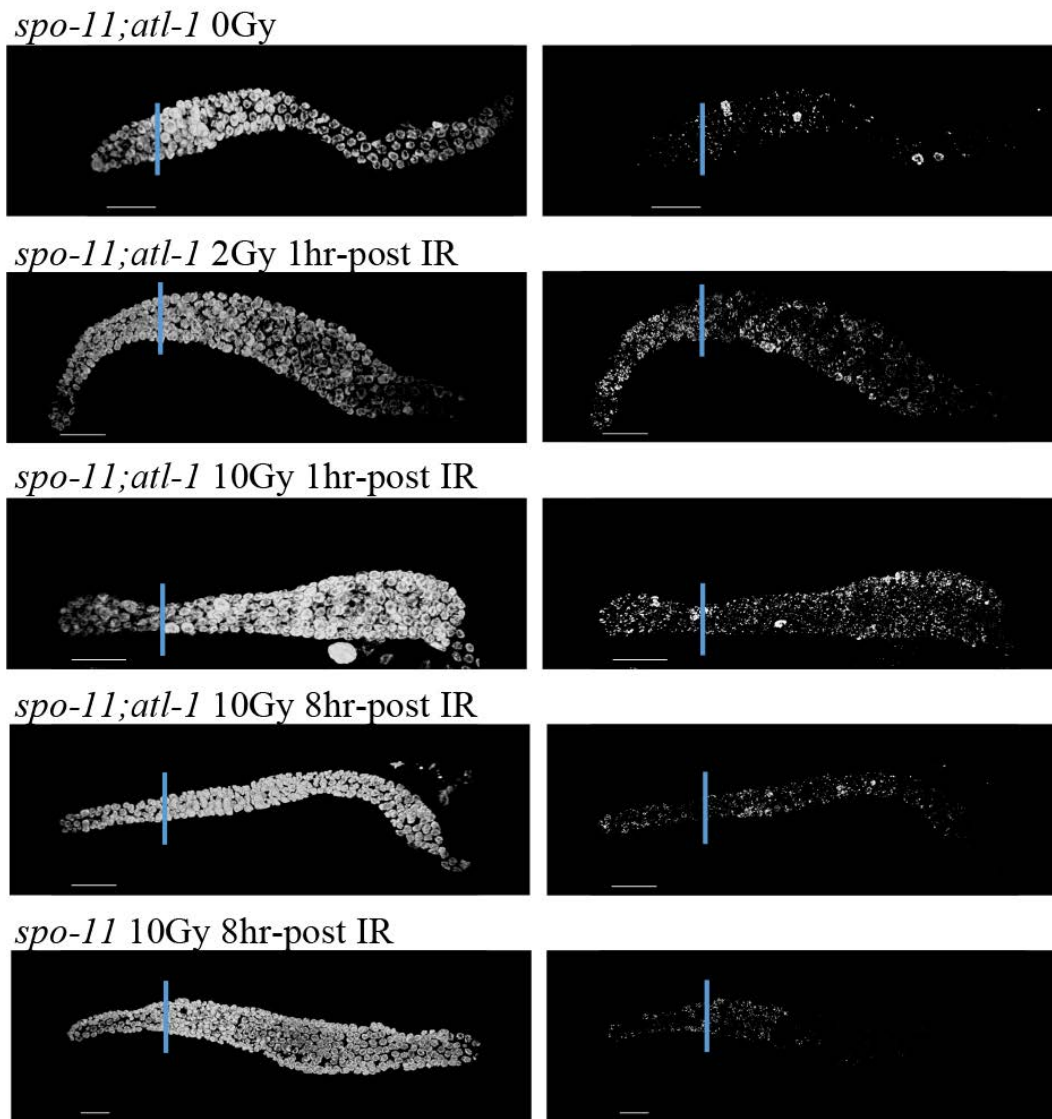


Figure S4. RAD-51 analysis in *atl-1* mutants. DAPI (left) and anti-RAD-51 (right) stained gonad arms of indicated genotypes in unirradiated control and irradiated animals. The blue line marks the start of the transition zone. Scale bar = 20 μ m.

Supplemental Figure S5

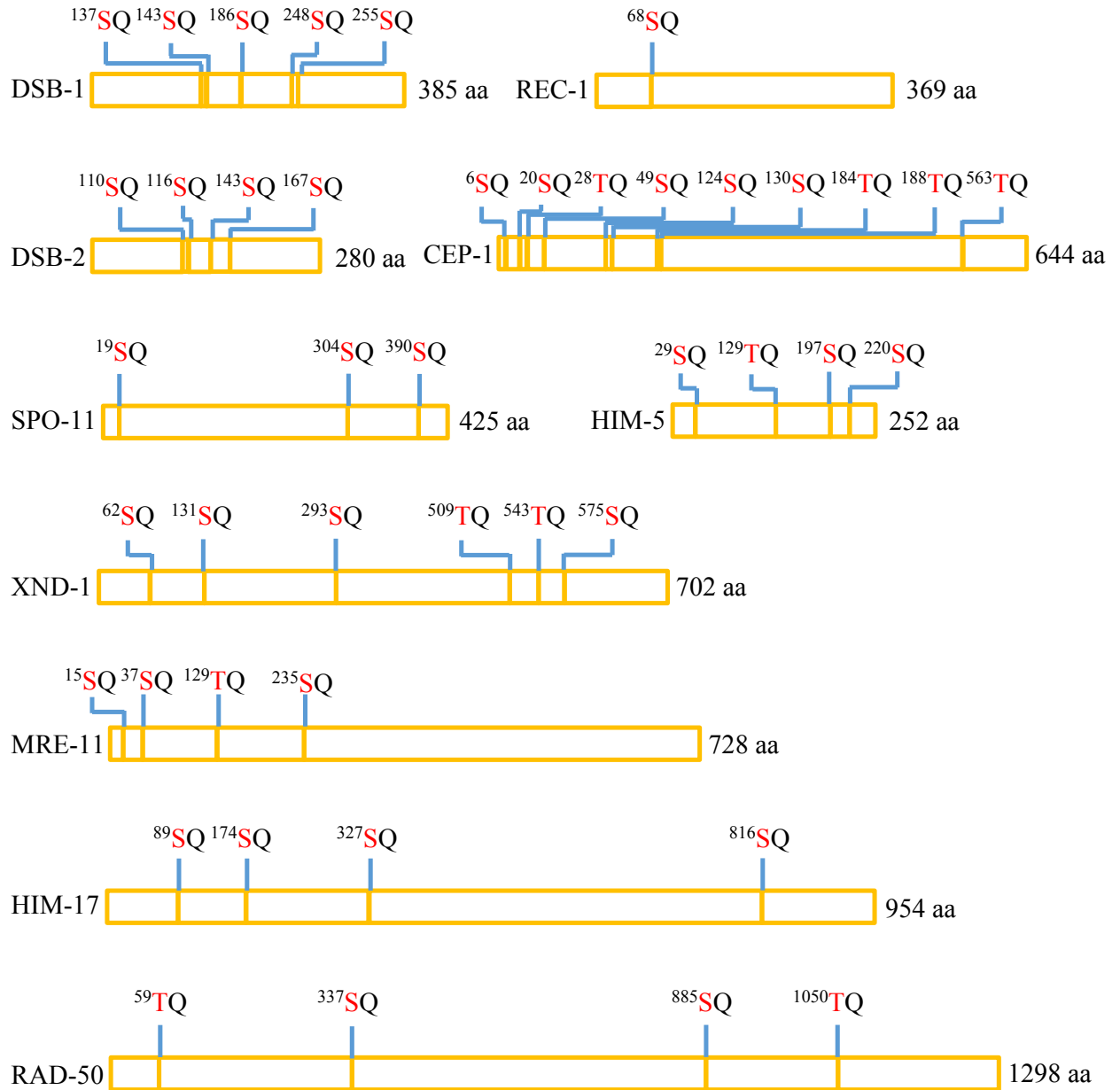


Figure S5. Bioinformatic analysis of ATM/ATR potential phosphorylation targets. (S/T)Q consensus sites for ATM/ATR signaling are shown in 10 DSB proteins.