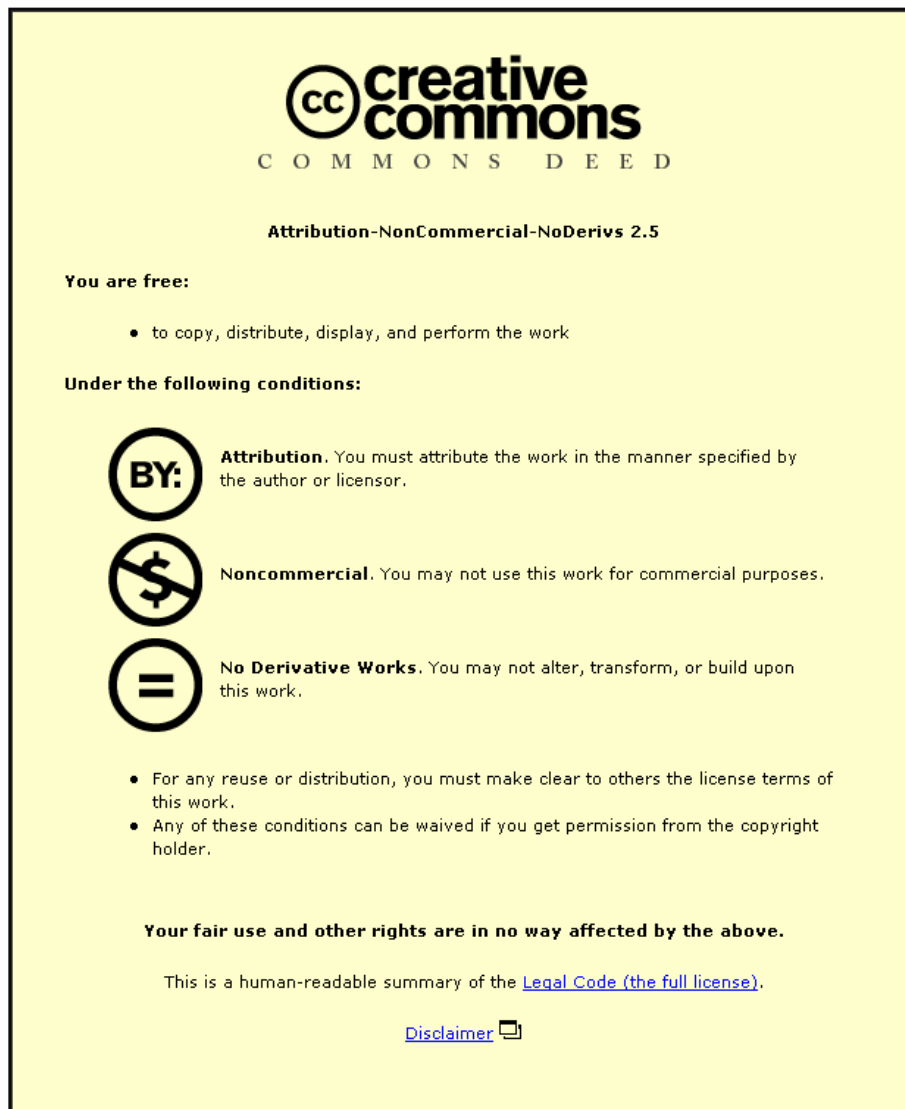


This item was submitted to Loughborough's Institutional Repository by the author and is made available under the following Creative Commons Licence conditions.



For the full text of this licence, please go to:  
<http://creativecommons.org/licenses/by-nc-nd/2.5/>

# Safety System Optimization By Improved Strength Pareto Evolutionary Approach (SPEA2)

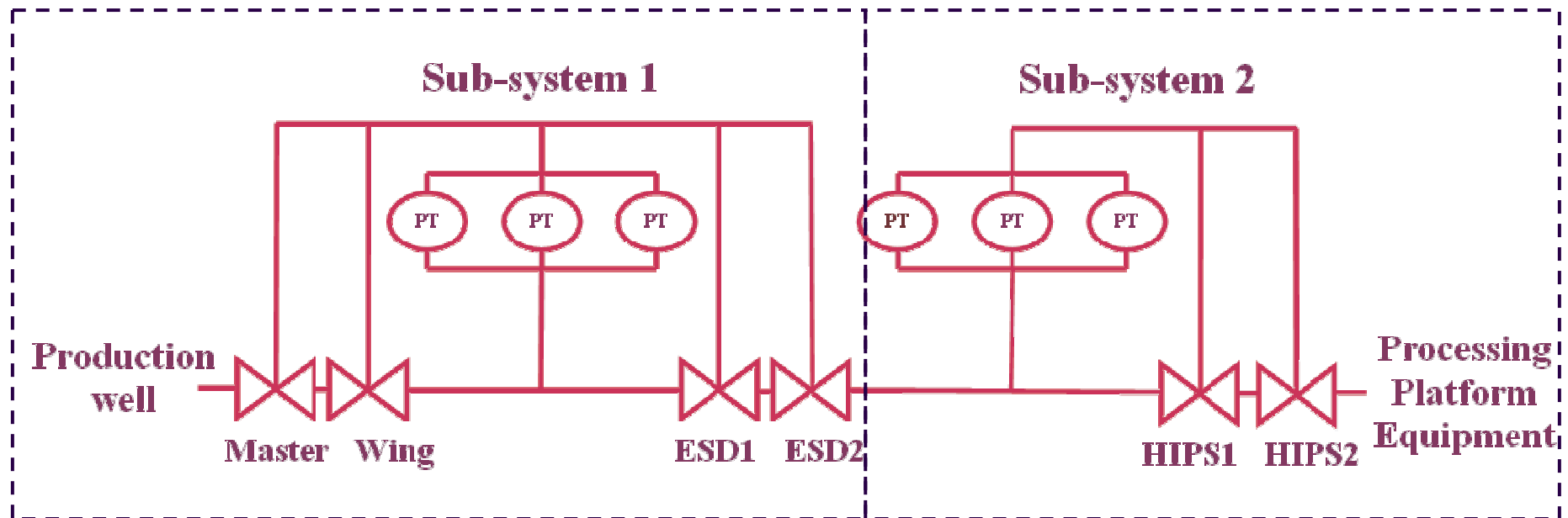
Jelena Borisevic and Lisa M Bartlett

A **safety system** is an essential part of an industrial system as it operates to prevent the occurrence of certain conditions and their future development into a hazardous situation.

To investigate a design **optimisation scheme** which yields an optimal safety system design by fully utilizing available resources.

- Unavailability
- Cost
- Spurious trip frequency
- Maintenance down time

General Structure of the High Integrity Protection System (HIPS):



Variable	Description	Value
$\theta_1, \theta_2$	Inspection intervals for subsystems 1 and 2	1 week – 2 years
$V$	Valve type	1 or 2
$P$	Pressure transmitter type	1 or 2
$N_1,$ $N_2$	Number of pressure transmitters fitted in subsystem 1 and 2 respectively	1 – 4 0 – 4
$K_1,$ $K_2$	Number of pressure transmitters required to trip (activate) for subsystem 1 and 2 respectively	1 – $N_1,$ 0 – $N_2$
$E$	Number of ESD valves fitted	0, 1, 2
$H$	Number of HIPS valves fitted	0, 1, 2

*Main HIPS Variables*



Limitation	Maximum Value
Total system cost ( <b>COST</b> )	< 1000 units
Maintenance down-time ( <b>MDT</b> )	< 130 hours
System spurious failure frequency ( <b>F<sub>sys</sub></b> )	1 time per year

*HIPS Design Limitations*





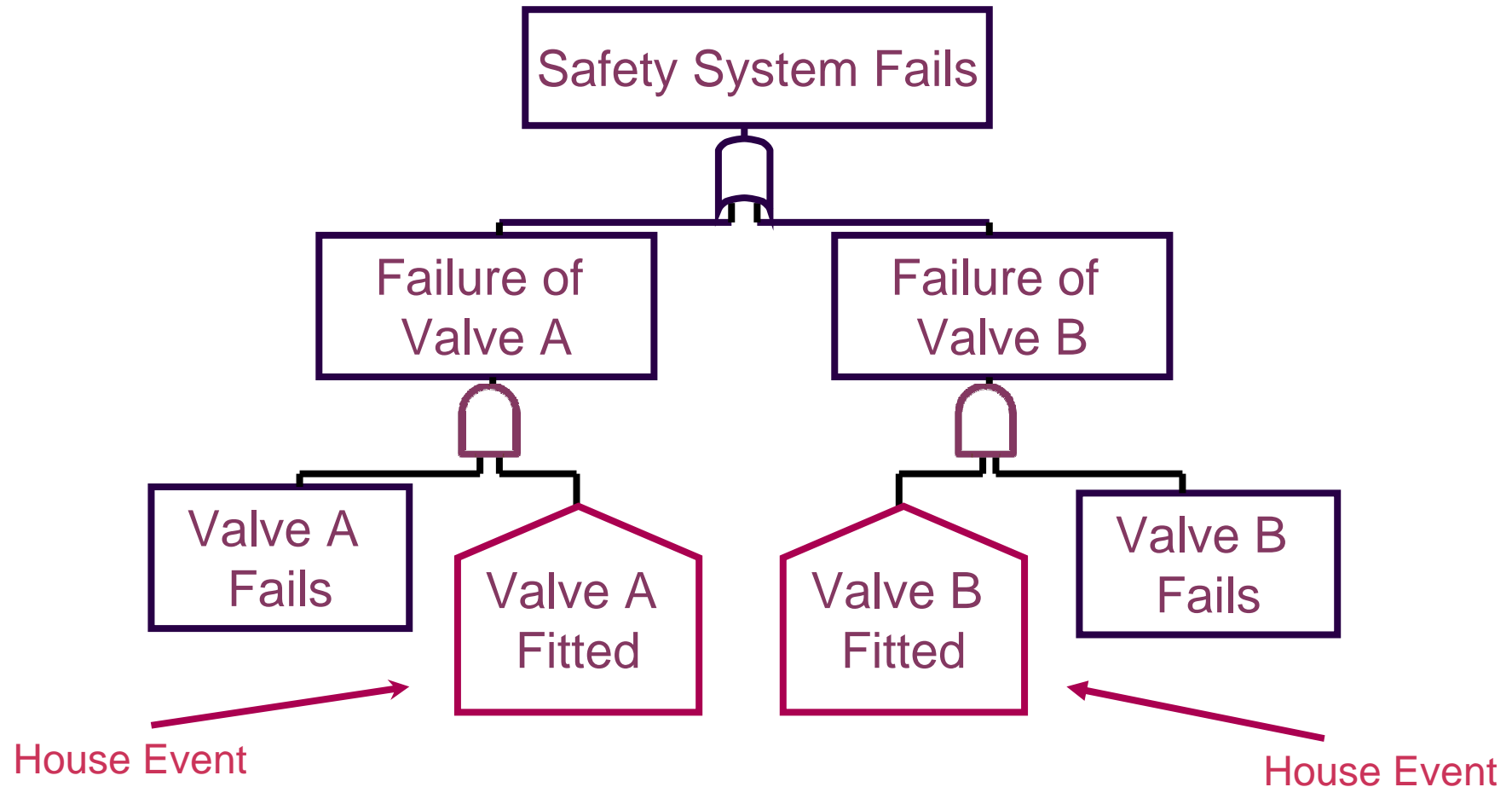
Fault Tree Analysis

+

Binary Decision Diagrams

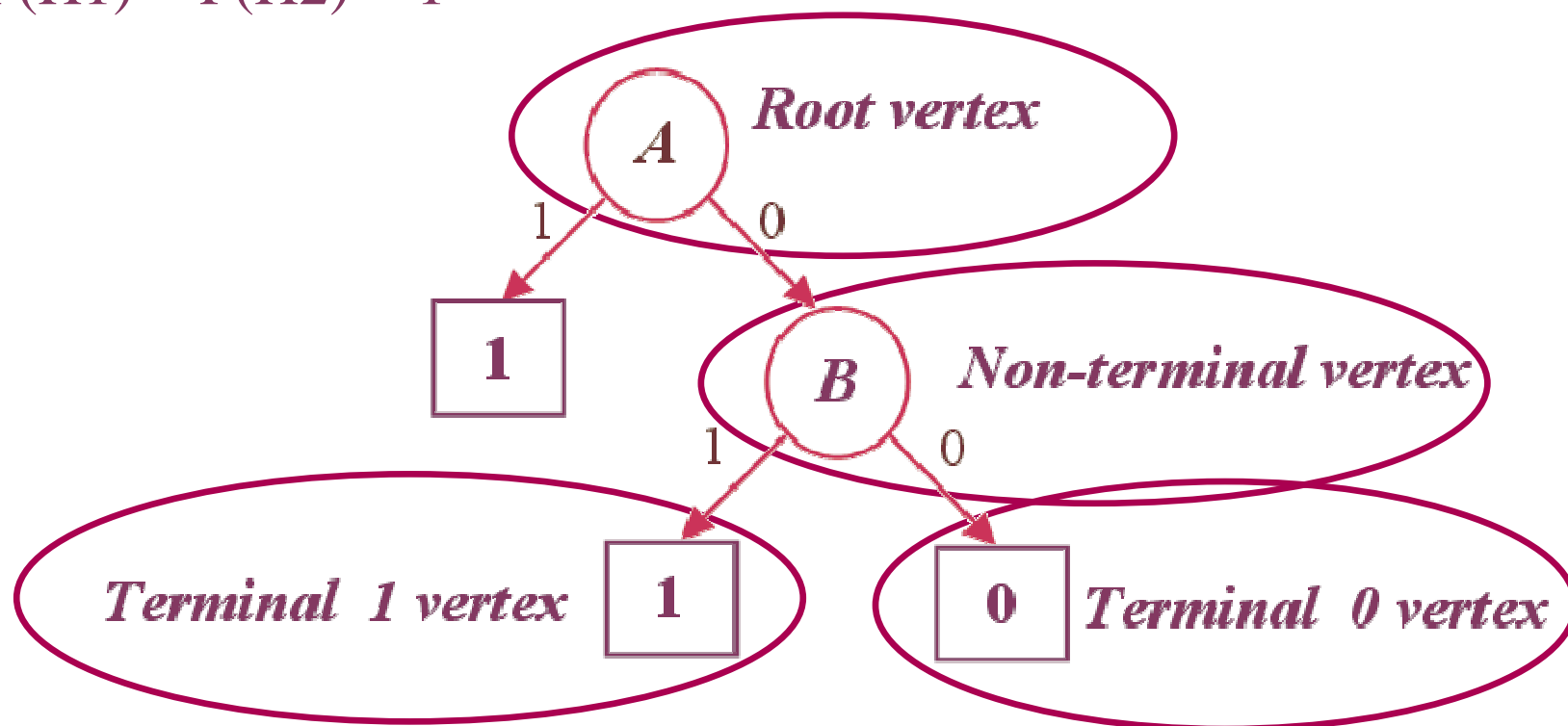
+

Improved Strength Pareto Evolutionary Approach  
(SPEA2)

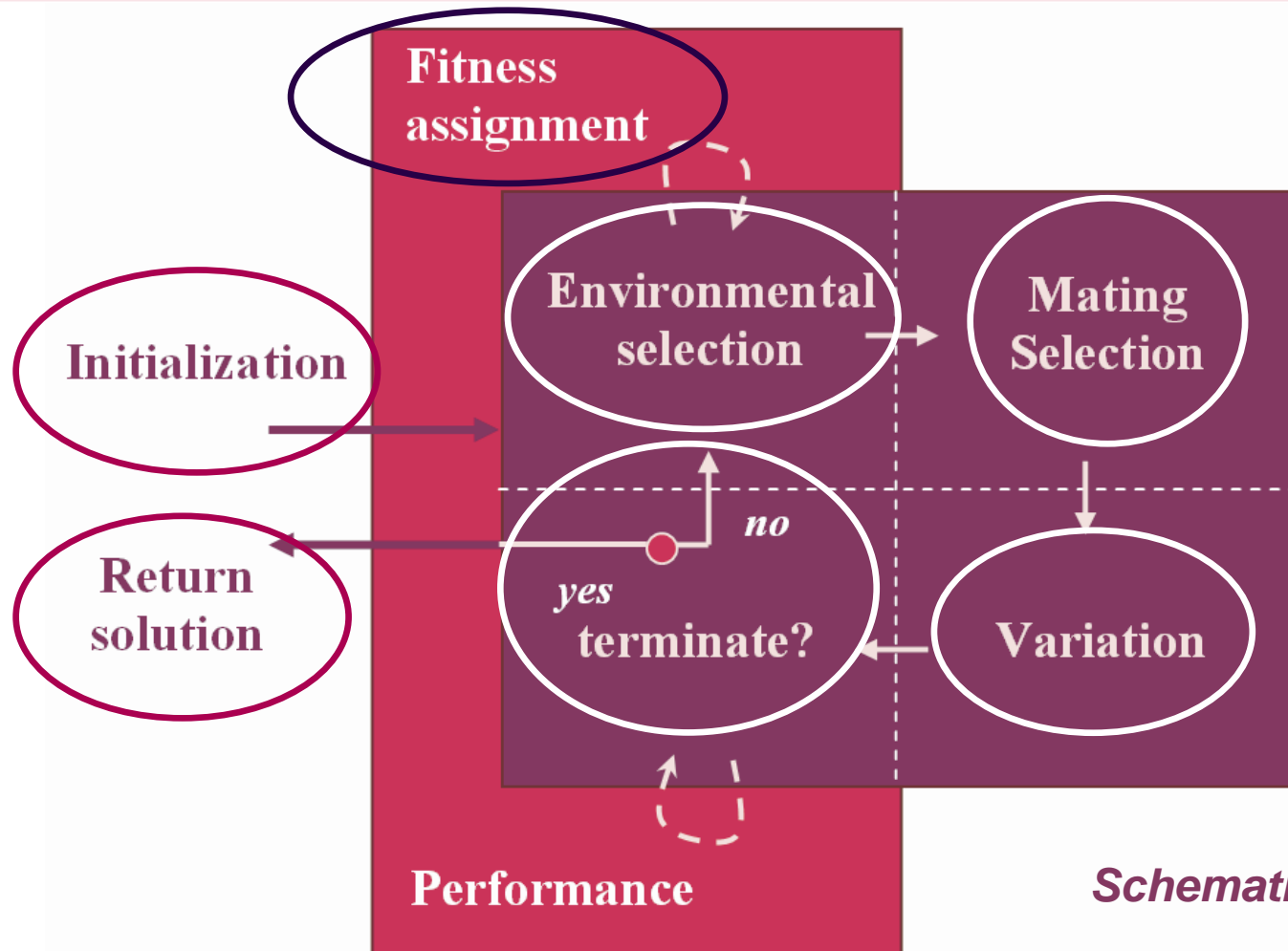


*Example of the Fault Tree with House Events*

If  $P(H1) = P(H2) = 1$

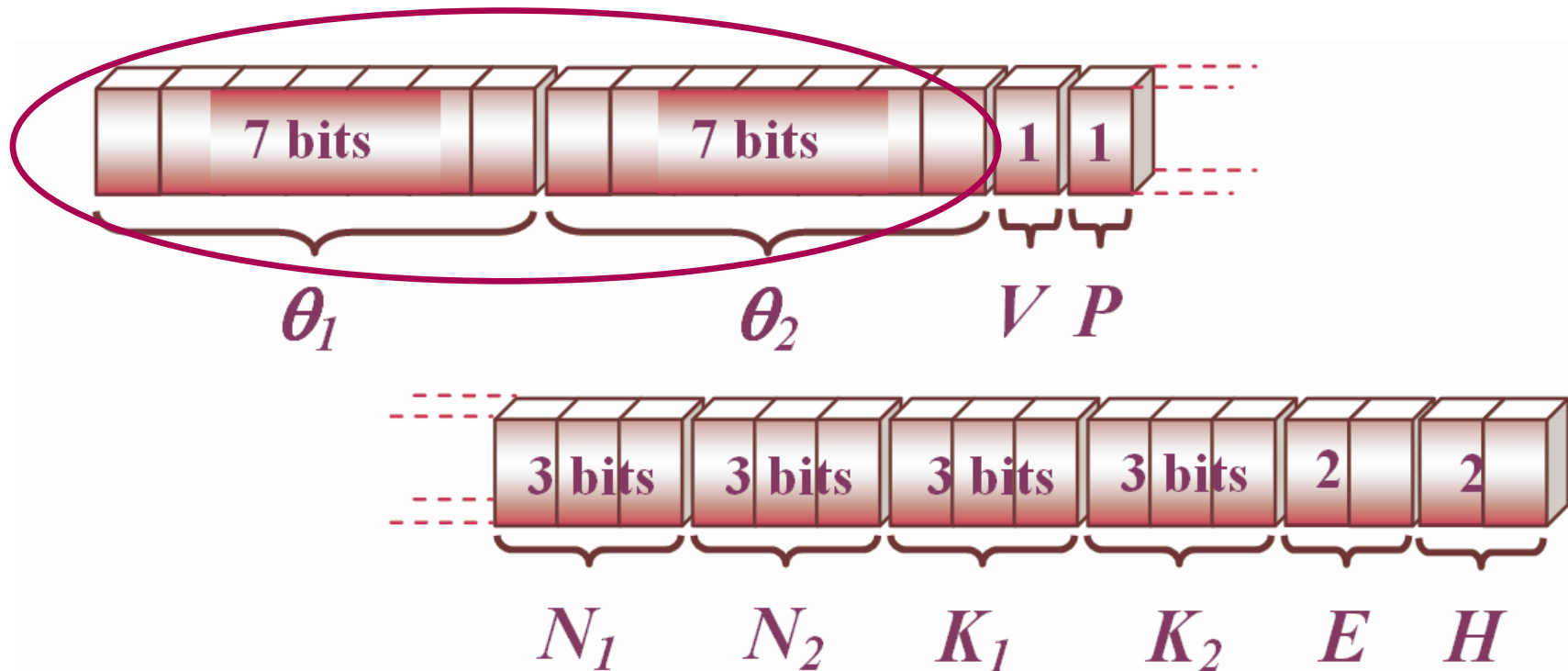


*Example BDD*



*Schematic of the SPEA2*

*Coding and Initializing the Population:*



*Total length = 32 bits*

### Optimization Parameters Evaluation:

$$\blacksquare \text{ Cost} = \text{Cost}(\text{subsystem1}) + \text{Cost}(\text{subsystem2}) < 1000 \quad (1)$$

$$\blacksquare \text{ MDT} = \text{MDT}(\text{subsystem1}) + \text{MDT}(\text{subsystem2}) < 130 \quad (2)$$

$$\blacksquare \text{ Penalized Qsys} = \text{Qsys} + \text{Penalties} \quad (3)$$

*where*

$$\text{Penalties} = \text{Cost\_pen} + \text{MDT\_pen} + \text{Spurious\_trip\_pen}$$

Run No.	Cost	MDT	$F_{sys}$	$Q_{sys}$
1	592	129.7008	0.455	4.5e-7
2	512	129.6974	0.332	8.33e-4
3	582	128.7361	0.324	6.8e-4
4	922	128.2273	0.718	1e-6
5	882	129.1590	0.166	1e-6
6	992	129.2523	0.552	1e-6
7	852	128.3286	0.245	6.55e-4
8	542	128.9881	0.324	8.45e-4
9	872	129.9032	0.377	1e-6
10	862	129.7309	0.999	1e-6
<b>Average values</b>	<b>761</b>	<b>129.1724</b>	<b>0.449</b>	<b>3.01e-4</b>

*Fittest Designs after 10 Runs of SPEA2 Program (100 generations each)*



		<b>GAs</b>	<b>SPEA2</b>
<b>Subsystem 1</b>	No. of ESD valves ( $E$ )	0	0
	No. of PTs ( $N_1$ )	2	1
	No. of PTs to trip system ( $K_1$ )	1	1
	Maintenance test interval ( $\theta_1$ )	29	25
<b>Subsystem 2</b>	No. of HIPS valves ( $H$ )	2	1
	No. of PTs ( $N_2$ )	3	3
	No. of PTs to trip system ( $K_2$ )	2	3
	Maintenance test interval ( $\theta_2$ )	32	73
	Valve type ( $V$ )	2	1
	PT type ( $P$ )	1	2
	MDT	<b>128.43</b>	<b>129.7008</b>
	Cost	<b>822</b>	<b>592</b>
	Spurious trip occurrence ( $F_{sys}$ )	<b>0.717</b>	<b>0.455</b>
	System unavailability ( $Q_{sys}$ )	<b>7.6e-4</b>	<b>4.5e-7</b>

**Results Comparison**



- The proposed technique has been successfully applied to a high integrity protection system (HIPS) and produced better results for system design optimization comparing to those obtained by the simple GAs.
- Important advantage of the SPEA2 is that it is faster and requires less memory resources.

- Application of the technique to the larger and more detailed safety system.
- Testing the effectiveness of the technique on the system with dependencies.

*Thank You Very Much!*