

Figure A. Genomic region and Ensembl accession number for *mboat4* genes in teleosts. Tilapia (*Oryzias latipes*) GL831307.1:236952-311998, (Gene not present in the Ensembl gene prediction. sequences identified in the present work in the given genomic region by tBLASTn search. ENSDART00000159371 was used as query. e-value = 2e-65); Cave fish (*Astyanax mexicanus*): KB882180.1:726758-827132, ENSAMXG00000014423; Stickleback (*Gasterosteus aculeatus*): groupXIII:17231488-17271128, ENSGACG00000013734; Zebrafish (*Danio rerio*): chromosome 5:65362599-65538959, ENSDARG00000018882; Ballan wrasse (*Labrus bergylta*): LaB_20160104_scaffold_208:294158-362772; Medaka (*Oryzias latipes*): chromosome 9:3938996-4019818, ENSORLG00000001556

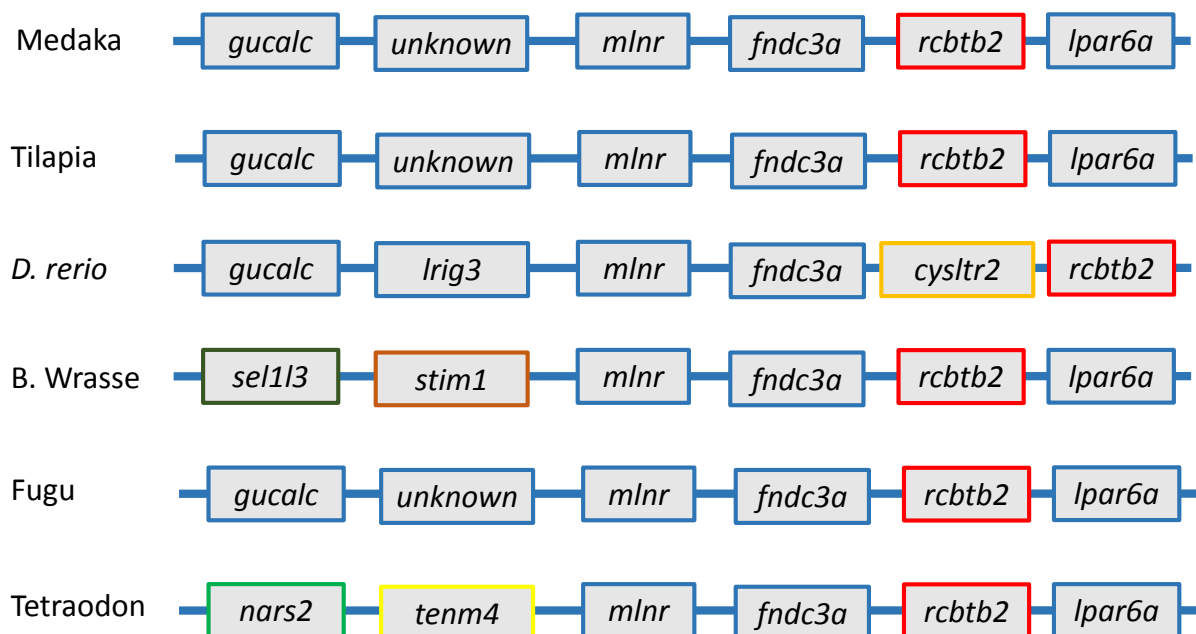


Figure B. Genomic region and Ensembl accession number for motilin receptor (*mlnr*) in teleosts. Tilapia (*Oryzias latipes*) (GL831218.1:1557919-1666013) ENSONIG00000005699; zebrafish (*Danio rerio*): 15:2925420-3178148, ENSDARG00000091207; Ballan wrasse (*Labrus bergylta*): LaB_20160104_scaffold_254:674,888-784,422, LABE_00040338; Tetraodon (*Tetraodon nigroviridis*): 16:5671222-5876201, ENSTNIG00000019039; Fugu (*Takifugu rubripes*) scaffold_19:1379444-1441687, ENSTRUG00000013958; Tilapia GL831218.1:1556244-1666009, ENSONIG00000005699.

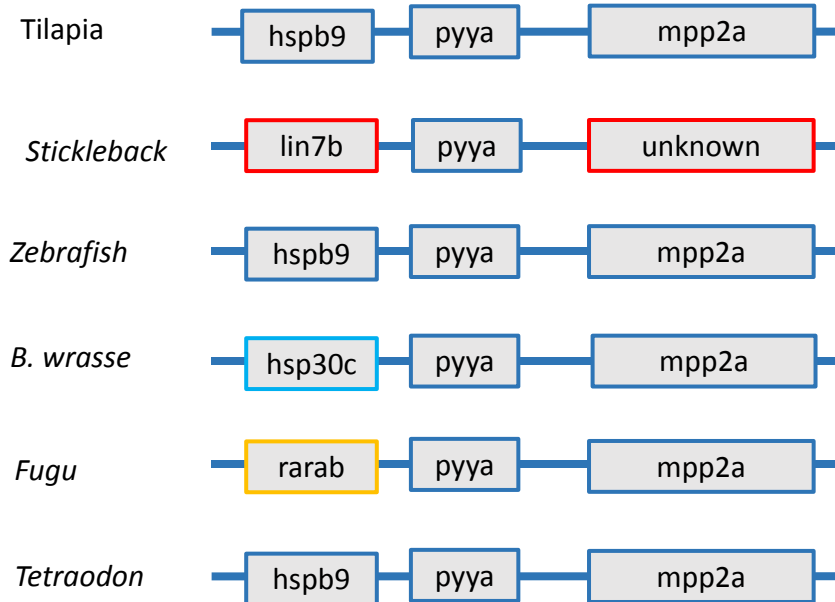


Figure C. Genomic region and Ensembl accession number for peptide y a (*pyya*) in Tilapia (*Oreochromis niloticus*) GL831179.1:1232875-1317458, ENSONIG00000006306; Stickleback (*Gasterosteus aculeatus*) scaffold_80:221815-302071, ENSGACG00000000462; Zebrafish (*Danio rerio*) 3:33168172-33252755, ENSDARG00000053449; Ballan wrasse (*Labrus bergylta*) 160104_scaffold_338:468,307-515,344; Fugu (*Takifugu rubripes*) scaffold_431:13575-110693, ENSTRUG00000010705; Tetraodon (*Tetraodon nigroviridis*) Un_random:4460723-4485961, ENSTNIG00000011155.

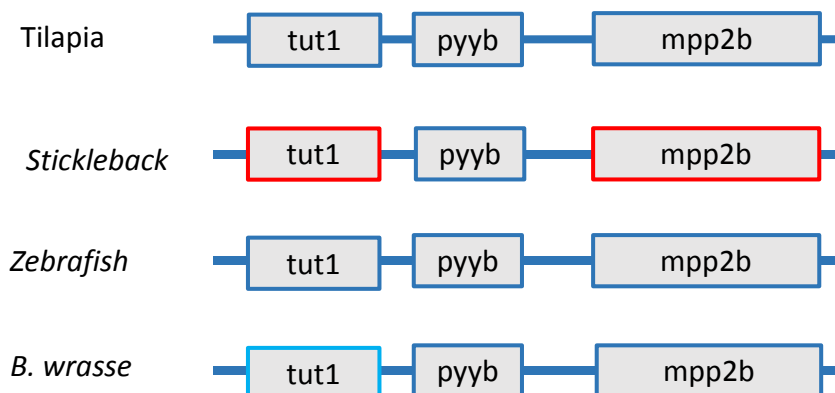


Figure D. Genomic region and Ensembl accession number for peptide y b (*pyyb*) in Tilapia (*Oreochromis niloticus*) GL831136.1:7361496-7437894, ENSONIG00000019912; Stickleback (*Gasterosteus aculeatus*) scaffold_80:221815-302071, ENSGACG00000009947; Zebrafish (*Danio rerio*) 12:10160367-10315209, ENSDARG00000035832; Ballan wrasse (*Labrus bergylta*) LaB_20160104_scaffold_398:85,254-162,953; Fugu (*Takifugu rubripes*) scaffold_431:13575-110693, ENSTRUG00000016462; Tetraodon (*Tetraodon nigroveridis*) Un_random:4460723-4485961, ENSTNIG00000001330.

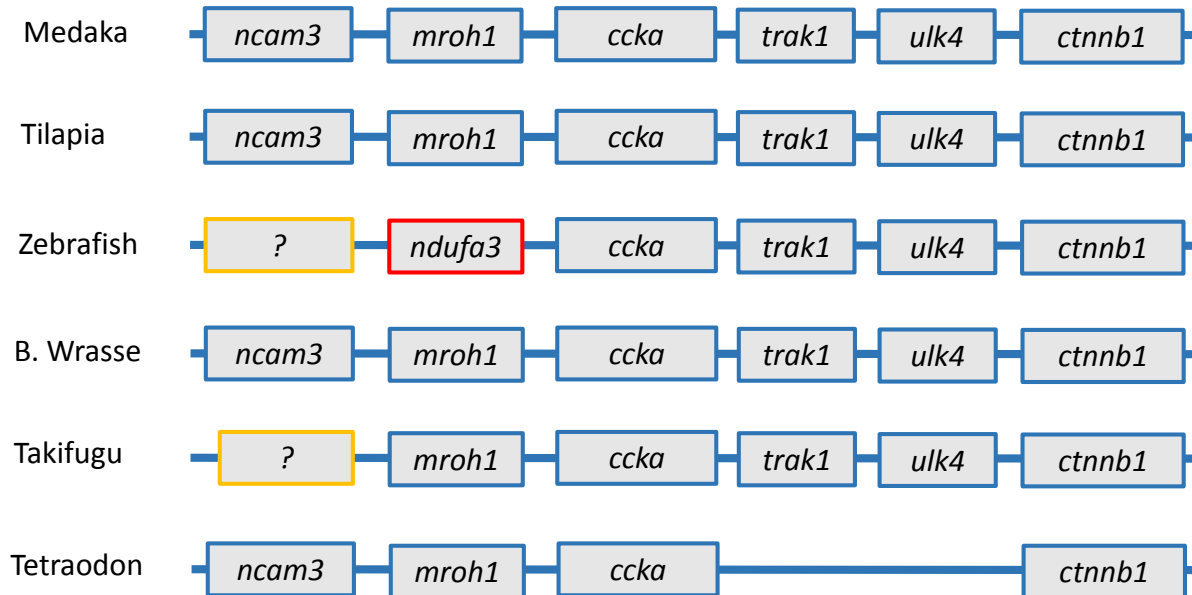


Figure E. Genomic region and Ensembl accession number for cholecystokinin a (*ccka*) gene in teleosts. Medaka (*Oryzias latipes*): Chromosome 16:11129168-11331760, ENSORLG00000005949; Tilapia (*Oreochromis niloticus*): GL831158.1:3480909-3755124, ENSONIG00000007246; Ballan wrasse (*Labrus berggylta*): LaB_20160104_scaffold_3:3,768,618-3,898,146, LABE_00001570; (*Danio rerio*):16:5749306-6317598, ENSDARG00000070810; Fugu (*Takifugu rubripes*): scaffold_383:132-105503, ENSTRUG00000001951; Tetraodon (*Tetraodon nigroviridis*): chromosome 8:3356248-3456179, ENSTNIG00000019093.

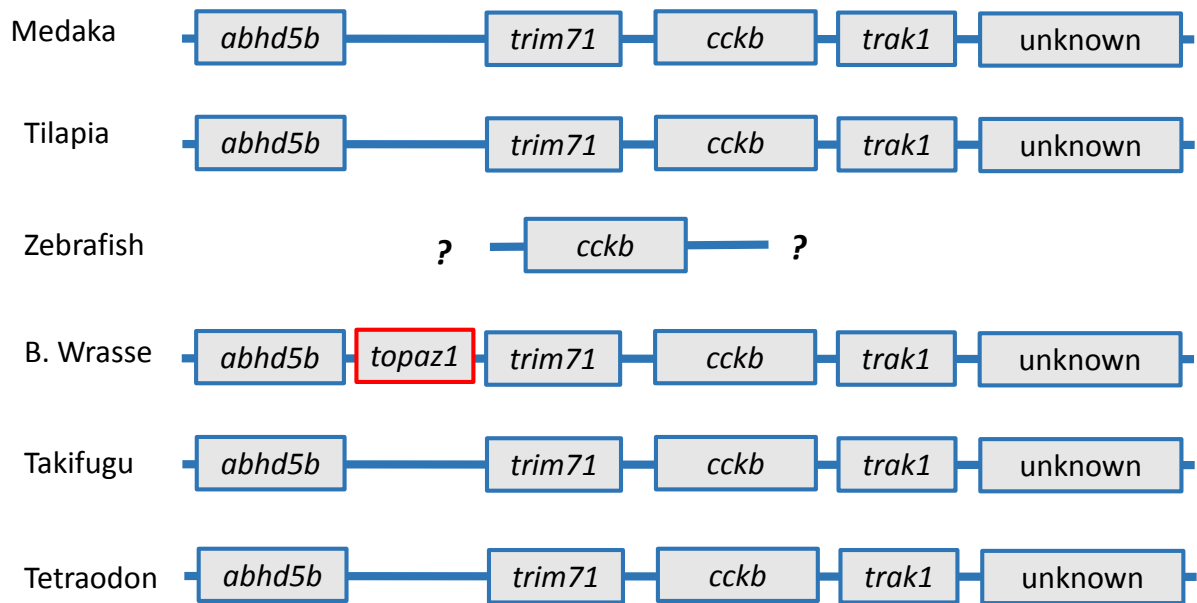


Figure F. Genomic region and Ensembl accession number for cholecystokinin b (*cckb*) gene in: Medaka (*Oryzias latipes*): Chromosome 11:13403405-13610771, ENSORLG00000005594; Tilapia (*Oreochromis niloticus*): GL831437.1:387788-564545, ENSONIG00000015434; Ballan wrasse (*Labrus berggylta*): LaB_20160104_scaffold_422:1-129,305, LABE_00051154; (*Danio rerio*):KN150698.1:1521-8568, ENSDARG00000070810; Fugu (*Takifugu rubripes*): scaffold_12:826058-910300, ENSTRUG00000013433; Tetraodon (*Tetraodon nigroviridis*):