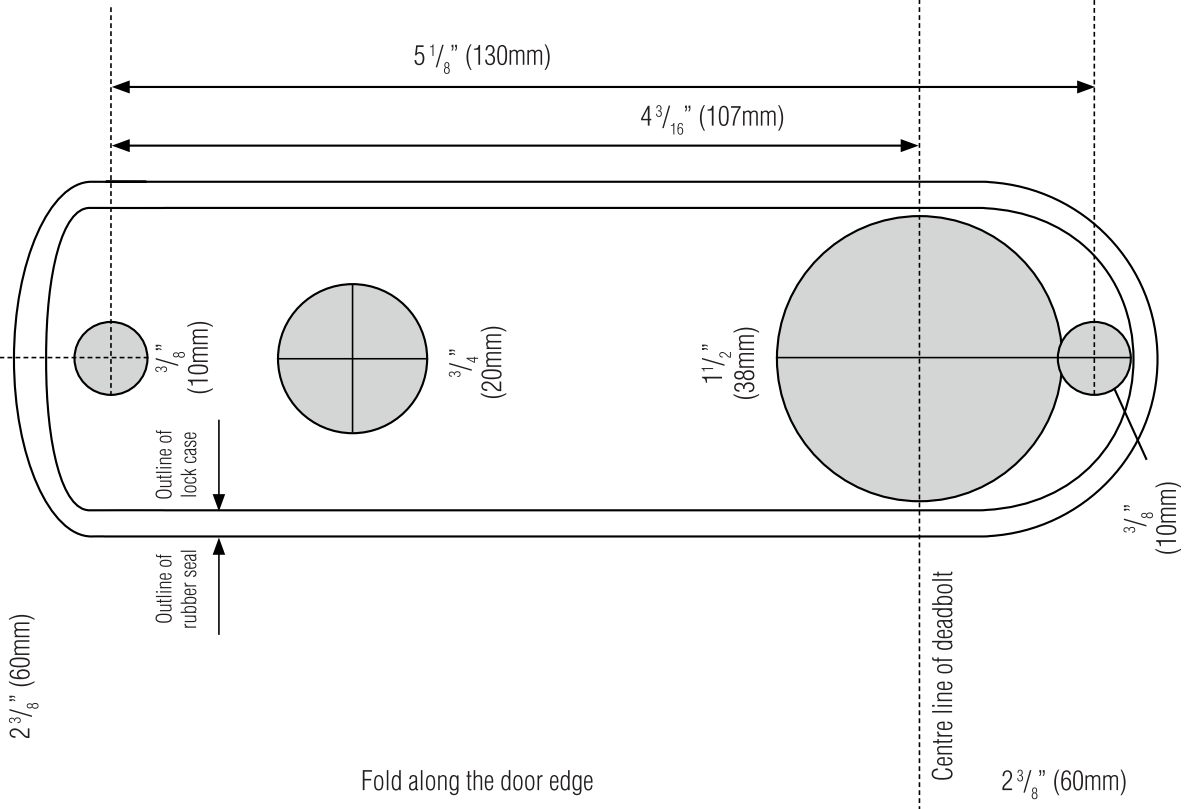


CL2210 MORTISE DEADBOLT TEMPLATE



$2\frac{3}{8}$ " (60mm)

$2\frac{3}{4}$ " (70mm)



CL2210 MORTISE DEADBOLT TEMPLATE

