

# 3M™ PELTOR™ Service Guide



PELTOR™

## 3M™ PELTOR™ LiteCom™ Headset MT53H7\*4\*00-\*\*

Doc Name : SG0035  
Version 1.1



### General information

To maintain the product approvals, the information given by the manufacturer in this manual must be followed.

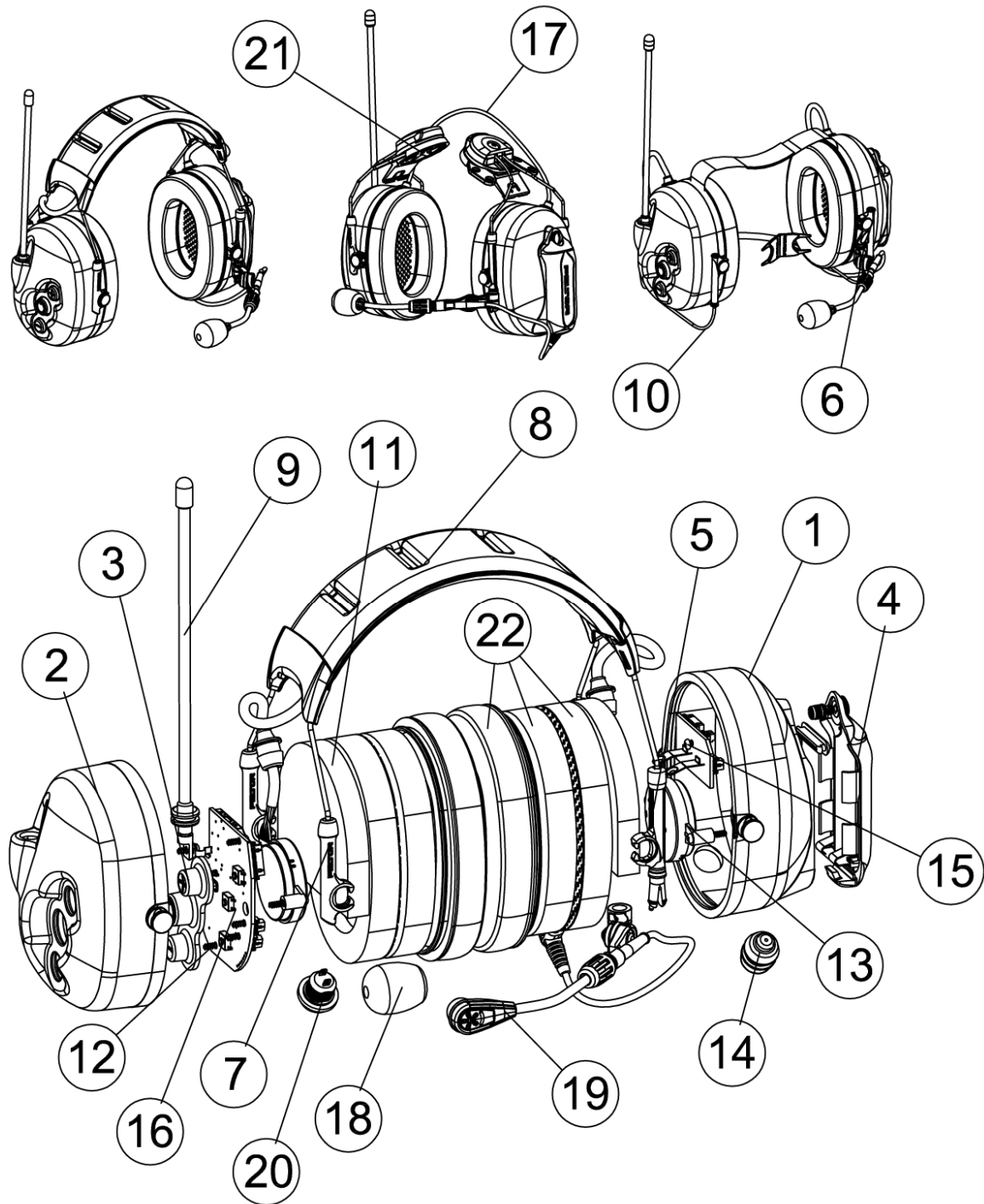
- \* Operators should have been trained and have skills in repairing 3M PELTOR products.
- \* Only spare parts noted in this service guide are approved to be used. Use of other parts than listed can affect the product approval.
- \* Never modify or alter the product.
- \* Always follow all User Instructions

### Important Notice

This document is our property and copyright subsists thereon.  
Without our written permission, it may not be copied, disclosed or otherwise divulged.  
Or made available to third parties, or be use as a basis for production or manufacture for others than us.  
Offenders will be prosecuted.

## 3M™ PELTOR™ LiteCom™ Headset MT53H7\*4\*00-\*\*

Doc Name : SG0035  
Version 1.1



# 3M™ PELTOR™ Service Guide

PELTOR™

## 3M™ PELTOR™ LiteCom™ Headset MT53H7\*4\*00-\*\*

Doc Name : SG0035  
Version 1.1

Pos	ART.NR	QTY	DESCRIPTION	INFORMATION
1	7373J BC 900	1	CUP BATT DRILL DARK BLUE	Contains pos: 14
2	79701 618-BC 900	1	CUP RIGHT DARK BLUE LC	
3	73015	1	KEY PAD FOR WS, PROTAC, LITECOM	
4	1180 SV	1	BATTERY COVER BLACK W CONN. BRI	
5	A44	1	MICROPHONE GUIDE	
6	A45	1	MICROPHONE GUIDE FOR B-BAND	
7	A46/4	1	GUIDE KIT OF 4 PCS	
8	AG9-13	1	HEADBAND 9-CORES, MOULDED inkl.	
9	ANT27-SV	1	ANTENNA, 430-470 MHz, BLACK TI	
10	BG4-06	1	NECKBAND 9 CORES WITH MIC-GUIDE	
11	DK004	2	DAMPING PAD FOR RADIO	
12	FE0087/100	7	SCREW PTKA 25x8 100 PCS	
13	HTRL-02	2	EARPHONE 100 Ohm, 2-POLE CONNEC	
14	J22C-02	1	PANEL JACK 2 PIN, MOLEX	
15	K331*	1	PCB FOR LITECOM, LEFT	For current PCB version and 3M id see "Approved service parts"
16	K332*	1	PCBA FOR LITECOM, FOR <b>MT53H7*4400-EU</b>	For current PCB version and 3M id see "Approved service parts"
16	K334*	1	PCBA FOR LITECOM, FOR <b>MT53H7*4600-NA</b>	For current PCB version and 3M id see "Approved service parts"
17	L24AX-3	1	CABLE 9-CORES, W. MOLEX CONN	
18	M995	1	WINDSHIELD FOR ELECTRET MICROPHONE	
19	MT53N-12	1	MICROPHONE, ELECTRET W J22 PLU	
20	OMK55-01	1	PTT WITH CABLES AND 2-POLE CON	
21	P3EG-F	2	HELMET ATTACHMENT WITH FRICTION SLEEVE	
22	HY79	1	HYGIENE KIT	

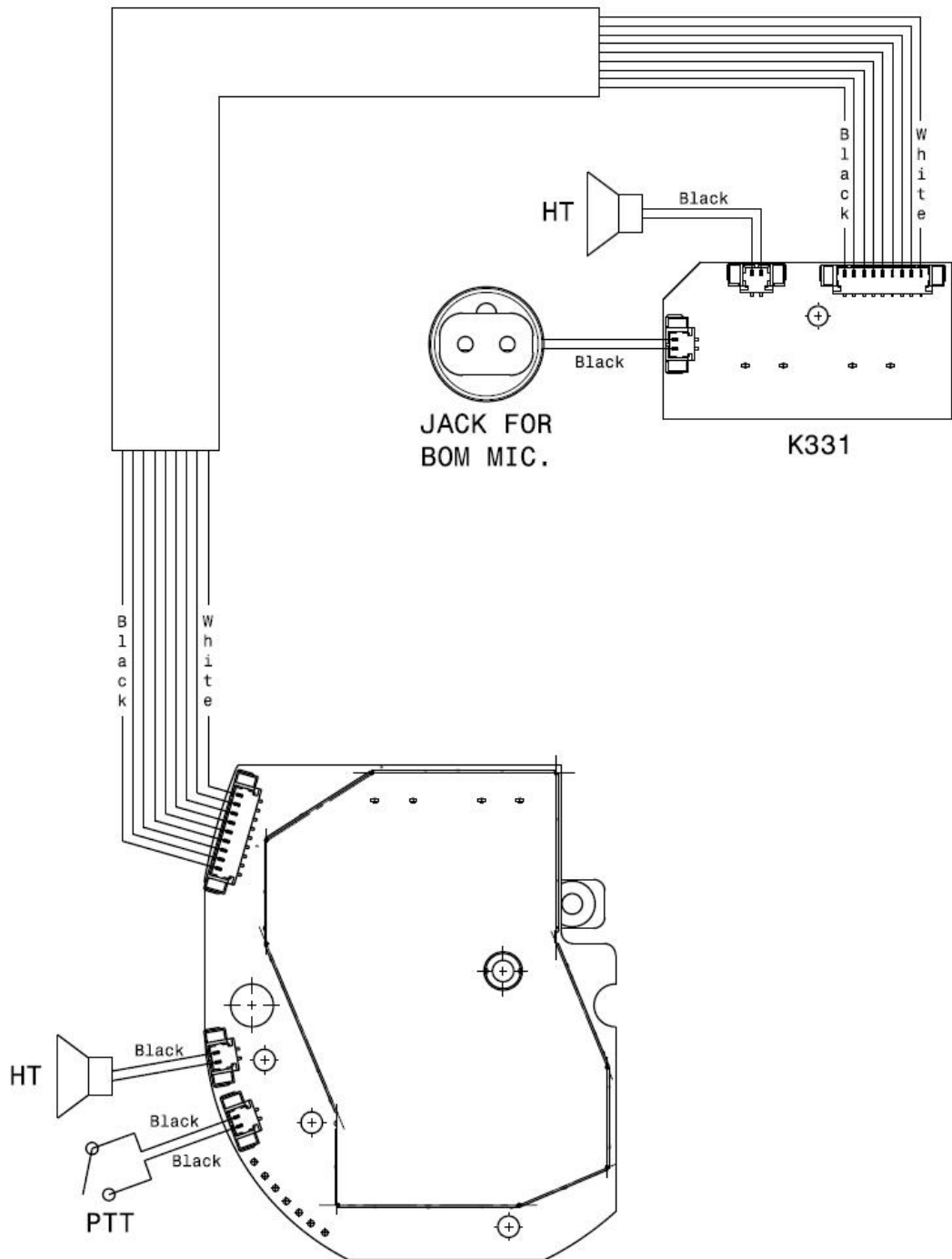
For 3M id see document "Approved service parts"

# 3M™ PELTOR™ Service Guide

PELTOR™

## 3M™ PELTOR™ LiteCom™ Headset MT53H7\*4\*00-\*\*

Doc Name : SG0035  
Version 1.1



# 3M™ PELTOR™ Service Guide

PELTOR™

## 3M™ PELTOR™ LiteCom™ Headset MT53H7\*4\*00-\*\*

Doc Name : SG0035  
Version 1.1



### 3M Personal Safety Division / 3M Svenska AB

Ingelundsvägen 21  
S-33140 Värnamo  
Sweden

For questions or technical support.  
Internet: [www.3M.com/PELTOR](http://www.3M.com/PELTOR)  
Email: [cstechservice@mmm.com](mailto:cstechservice@mmm.com)  
Telephone: +46 (0) 370 - 65 65 00  
Fax: +46 (0) 370 - 65 65 60

This document is our property and copyright subsists thereon.  
Without our written permission, it may not be copied,  
disclosed or otherwise divulged  
Or made available to third parties, or be use as a basis for  
production or manufacture for others than us.  
Offenders will be prosecuted.

© 3M 2014. All rights reserved.

3M and LiteCom are trademarks of 3M Company, used under  
license in Canada.

PELTOR is a trademark of 3M Svenska AB, used under license  
in Canada

3M PSD products are occupational use only