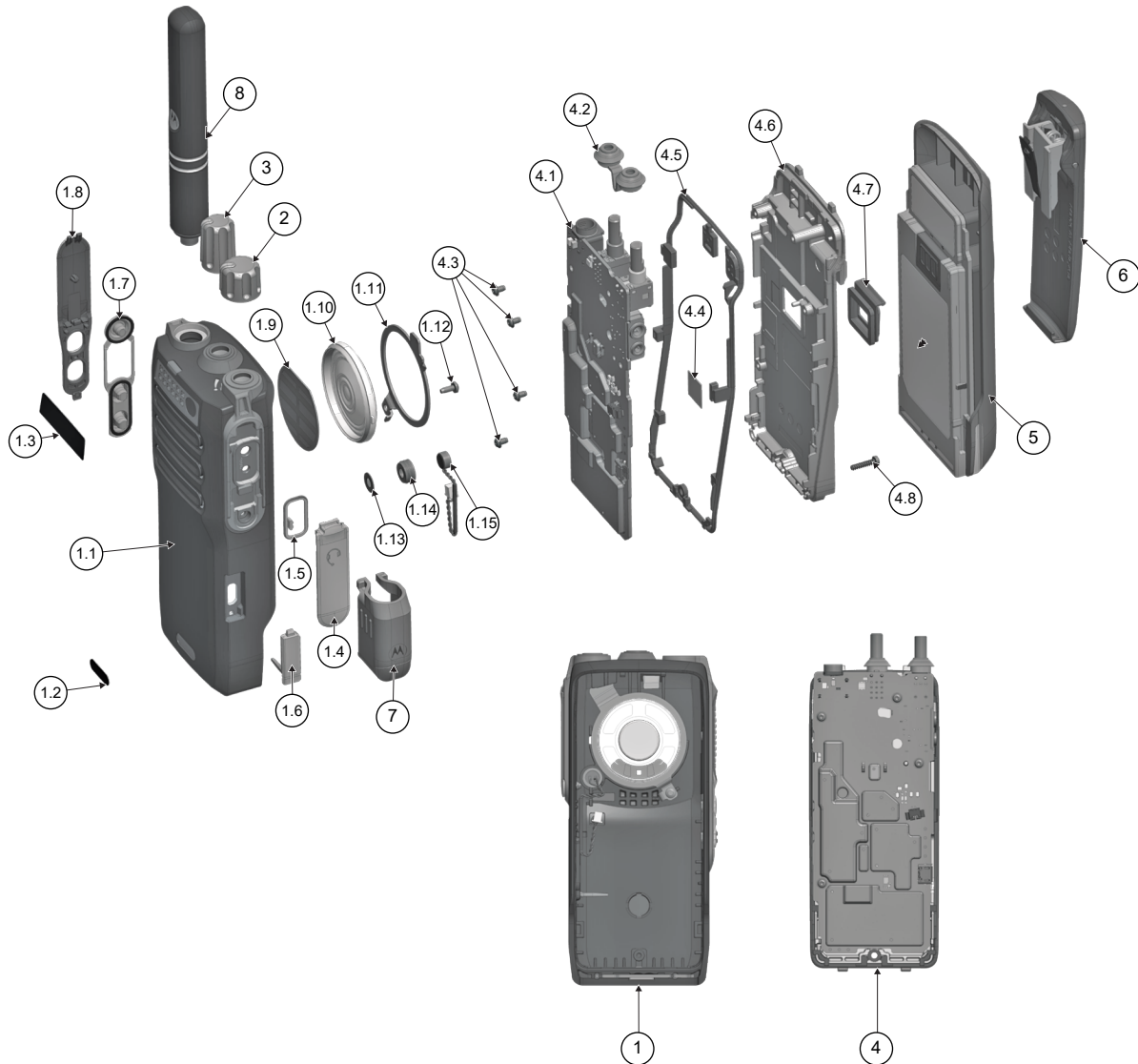


R2 Series Radio Exploded Mechanical View and Parts List



Item	Description	Part Number
1.0	Front Housing Kit	PMLN8437_S
1.1	Front Housing Assembly (Part of Front Housing Kit) ⁴	-
1.2	Model Label	LB001917A01
1.3	Radio Label	LB001907A01
1.4	Audio Jack Dust Cover	0104091J21

⁴ Individual Housings are not available.

Item		Description	Part Number
	1.5	Audio Jack Dust Cover O-Ring	SL000727A01
	1.6	USB Dust Cover	HN002072A01
	1.7	PTT Rubber	KP000245A01
	1.8	PTT Bezel	HN002065A01
	1.9	Speaker Felt	HW003378A01
	1.10	Speaker	0112908K03
	1.11	Speaker Retainer	HW003377A01
	1.12	Torx Plus 6IP Screw (Speaker Retain-er)	0386434Z02
	1.13	Microphone Membrane	SL000888A01
	1.14	Microphone Boot	0780608V01
	1.15	Microphone	0104090J72
2		Volume Knob	36012005001
3		Frequency Knob	36012004001
4		Back Kit	VHF - PMLD4960_S UHF1 - PMLE5385_S UHF2 - PMLE5420_S 350 MHz Band - PMLD4986_S
	4.1	Mainboard (part of Back Kit) ⁵	
	4.2	Top Seal	32012177001
	4.3	Torx Plus 6IP Screw (Mainboard)	3012034001
	4.4	Thermal Pad	75012234001
	4.5	Main O-Ring	SL000723A01
	4.6	Chassis	CH000346A01
	4.7	Battery Contact Seal	SL000729A01
	4.8	Torx Plus 6IP Screw (Chassis Front Housing)	0375375A01
5		Battery	See Authorised Accessories List
6		Belt Clip	See Authorised Accessories List
7		Retainer	See Authorised Accessories List
8		Antenna	See Model Charts on main Service Manual (page 19)

⁵ Individual Boards are not available.

Front Housing Kit

Item	Description	Motorola Solutions Part Number
Front Housing Kit for PMUD3524_, PMUE5847_, PMUE5885_, and PMUD3533_	R2 Front Cover Kit	PMLN8437 S

Back Kit

Item	Description	Motorola Solutions Part Number
Back Kit for PMUE5847_	R2 UHF1 Back Kit, 4W, NKP	PMLE5385 S
Back Kit for PMUE5885_	R2 UHF2 Back Kit, 4W, NKP	PMLE5420_S
Back Kit for PMUD3524_	R2 VHF Back Kit, 5W, NKP	PMLD4960 S
Back Kit for PMUD3533_	R2 350 MHz Band Back Kit, 4W, NKP	PMLD4986_S

Component and Parts List

Main Board Top Side for UHF1, UHF2, and 350 MHz Band

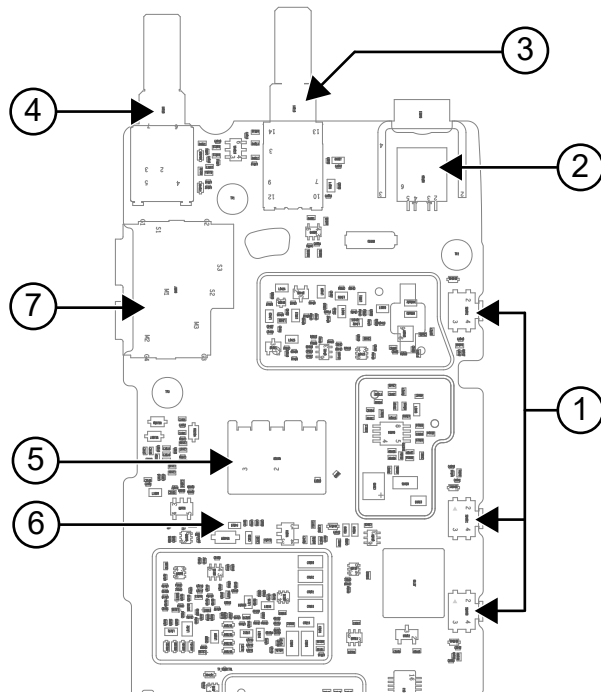
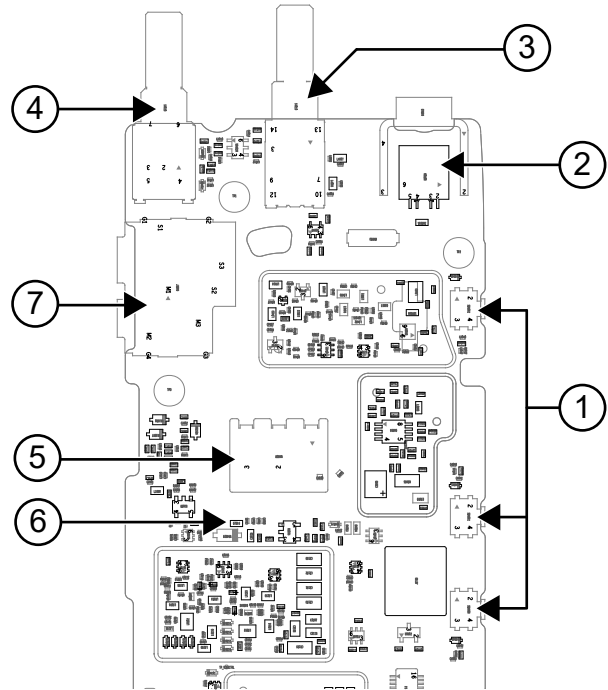


Figure 6: Main Board Top Side for VHF



Radio Parts List

Label	Name	Motorola Solutions Part No.
1	Switch, Push-on Type	4070354A01
2	Connector, RF	0986428Z02
3	Switch, Frequency	ST000481A01
4	Switch Volume	1875103C04
5	Battery Connector	CN001927A01
6	Fuse Chip SMT 3A	65012019001
7	Audio Jack Connector	CN001953A01