

3M™ PELTOR™ LiteCom Plus Headset MT73H7*4*

*Designates a product variant

Doc Name: SG0075

Version: 1.0

Date: 2023-02-27



General information

To maintain the product approvals, the information given by the manufacturer in this manual must be followed.

- Operators should be trained and have skills in repairing 3M™ PELTOR™ products.
- Only spare parts noted in this service guide are approved to be used. Use of parts other than those listed can affect the product approval.
- Never modify or alter the product.
- Always read and follow all User Instructions.

Important Notice

© 3M 2023. All rights reserved.

Without our written permission, this document may not be copied, disclosed or otherwise divulged, made available to third parties, or be used as a basis for production or manufacture for others than 3M.

3M™ PELTOR™ LiteCom Plus Headset

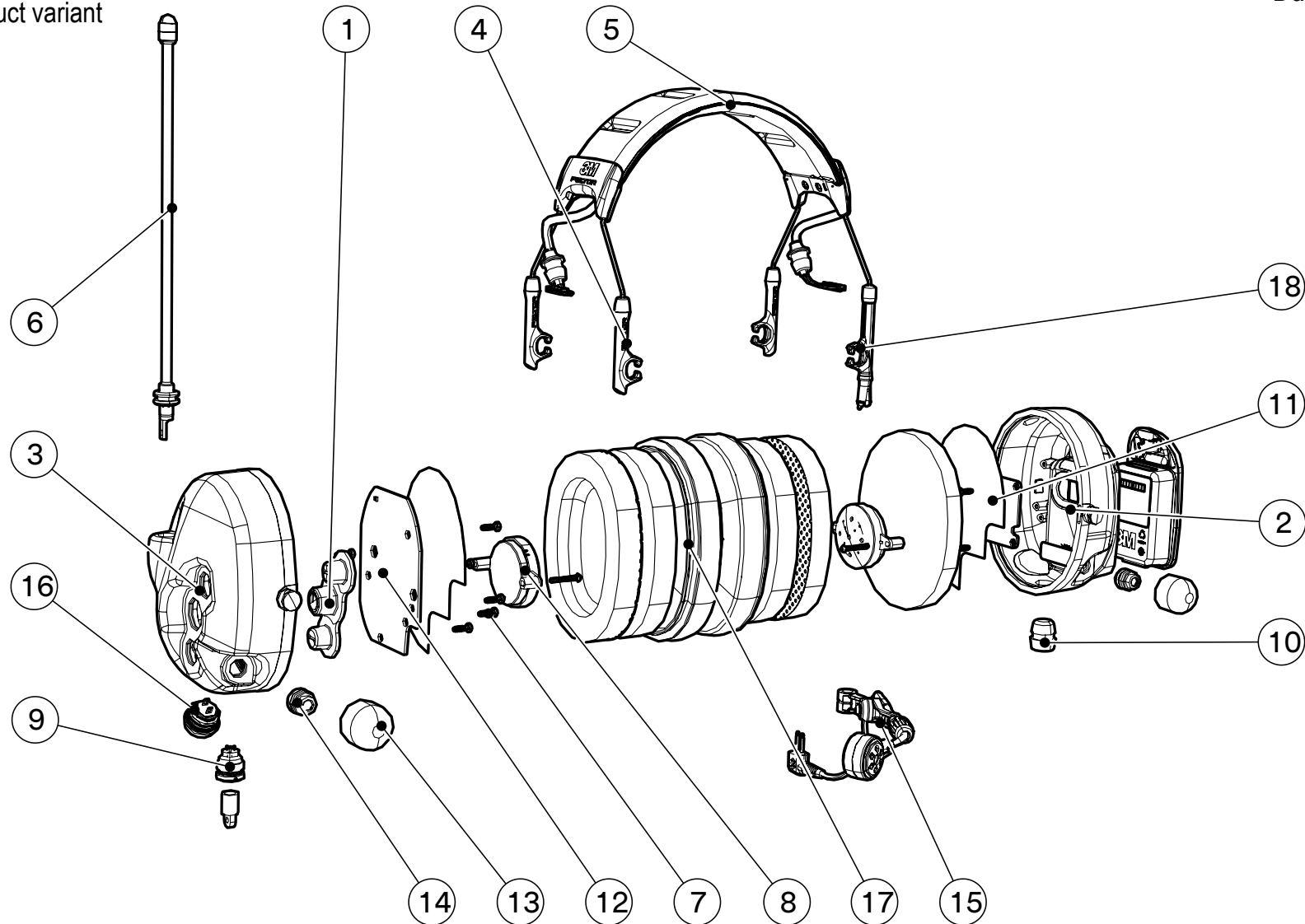
MT73H7A4*

*Designates a product variant

Doc Name: SG0075

Version: 1.0

Date: 2023-02-27



3M™ PELTOR™ LiteCom Plus Headset

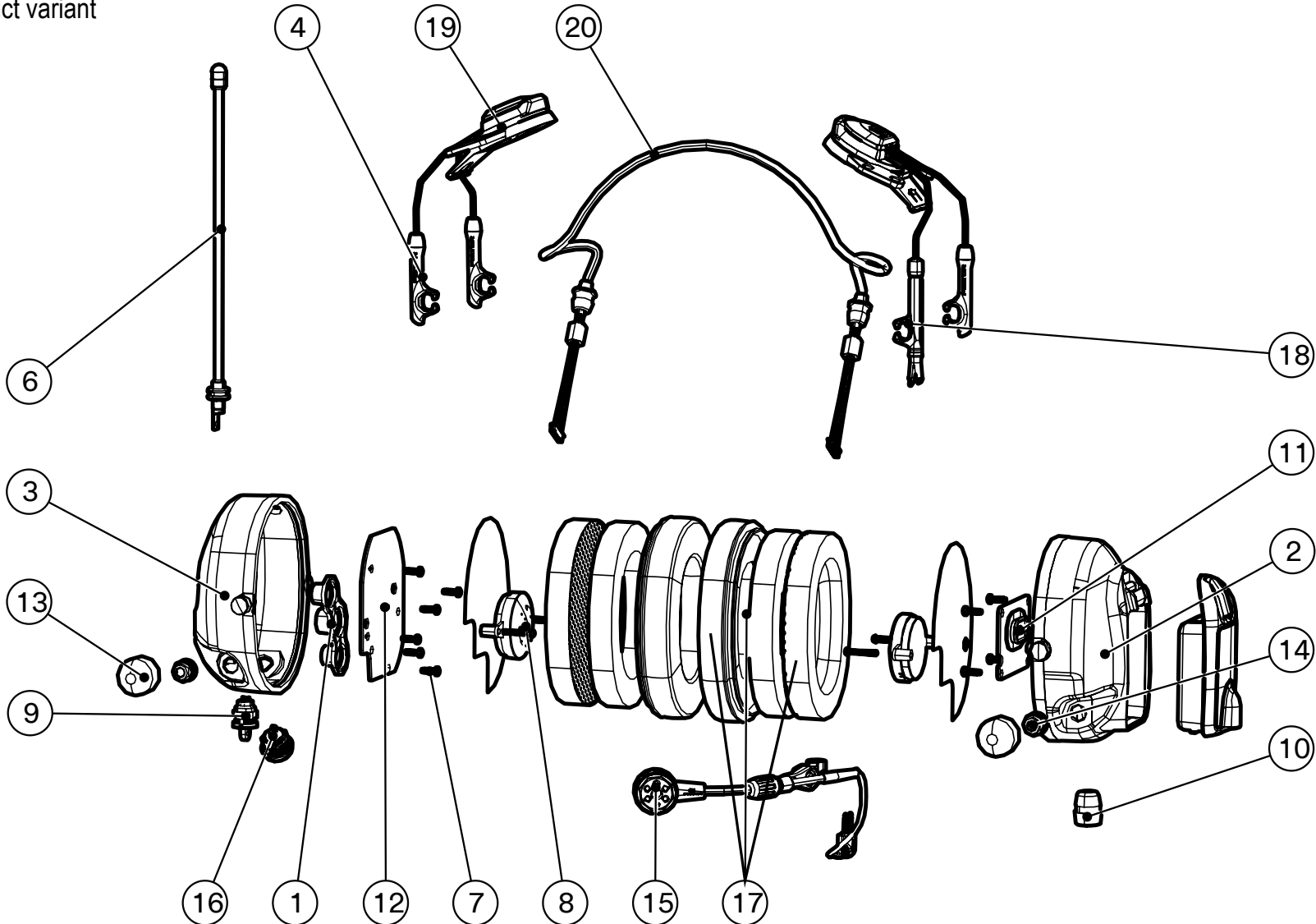
MT73H7P3E4*

*Designates a product variant

Doc Name: SG0075

Version: 1.0

Date: 2023-02-27



3M™ PELTOR™ LiteCom Plus Headset

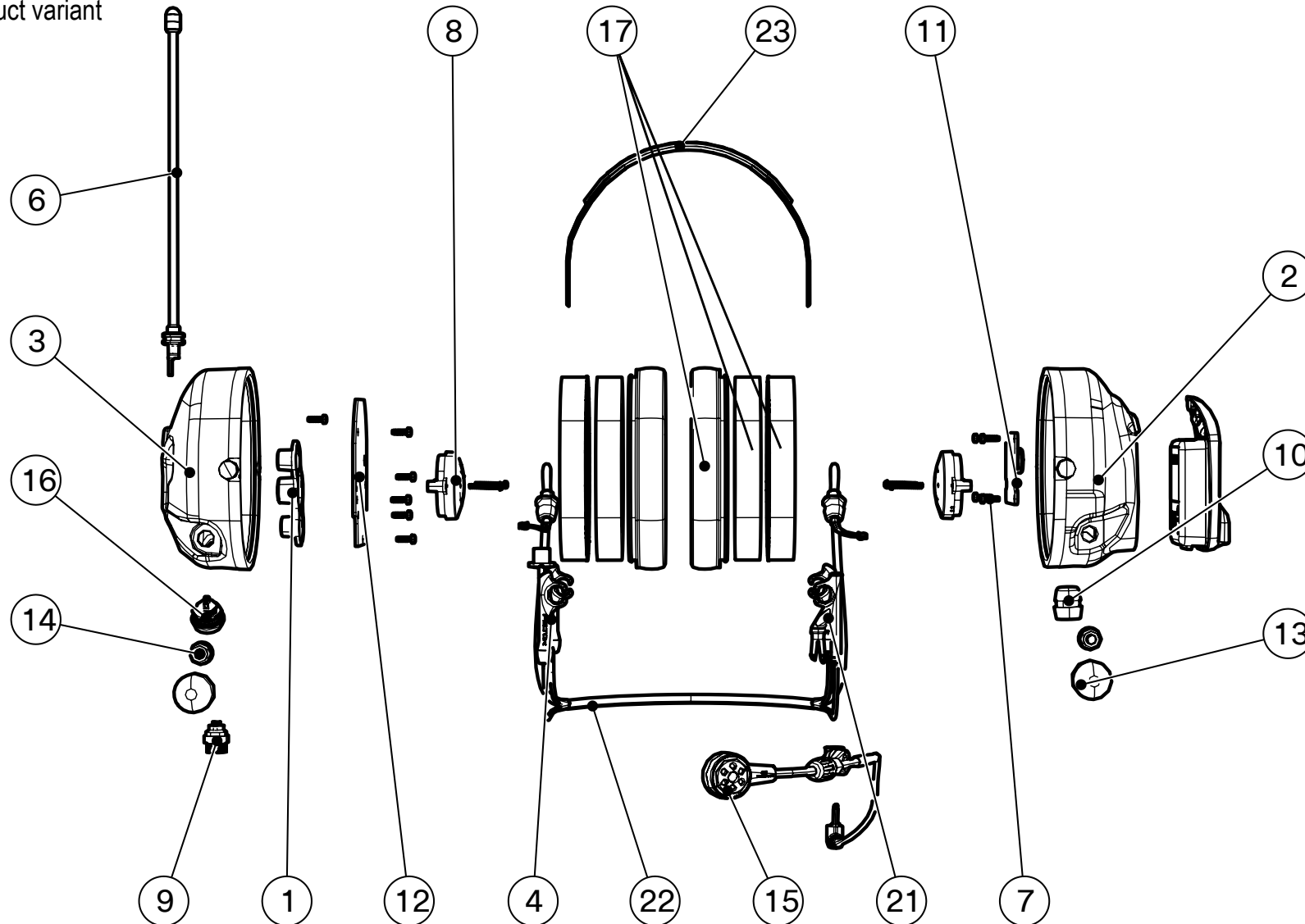
MT73H7B4*

*Designates a product variant

Doc Name: SG0075

Version: 1.0

Date: 2023-02-23





3M™ PELTOR™ LiteCom Plus Headset
MT73H7*4***

Doc Name: SG0075
Version: 1.0
Date: 2023-02-27

Pos	ART.NR	QTY	DESCRIPTION	INFORMATION
1	73016/SP	1	KEY PAD BT, WITH TRANSPARENT ON/OFF	
2	7336 GY/SP	1	CUP LEFT LITECOM, WITH HOLE PTT	Contains M60, J22C-02/SP and MT205-1/SP
3	79712 661-GY/SP	1	CUP RIGHT LITECOM PLUS	Contains M60 and MT205-1/SP
4	A46/4	3	GUIDES W MOULDED FRICTION CAGE 4/PACKAGE	
5	AG11-13-F/SP	1	HEADBAND, 10+1 CORD, W MOLEX & MIC G.	
6	ANT26/SP	1	ANTENNA, 403-470 MHz, GREY TIP	
7	FE0087/100	10	SCREW PTKA 25x8, 100-PACK	
8	HTRL-02/SP	2	EARPHONE 100 OHM WITH 2-POLE CONNECTOR	
9	J111A-03/SP	1	JACK 4-POLE WITH 7-POLE CONN. W/O	
10	J22C-02/SP	1	2-POLE JACK WITH MOLEX CONNECTOR	
11	K410*/SP	1	PCB LEFT WS LITECOM PLUS	* For current PCB version and 3M id see "Approved service"
12	K427*/SP - K429	1	PCB RIGHT WS LITECOM PLUS	* For current PCB version and 3M id see "Approved service"
13	M60/2	2	FOAM MIC COVER FOR SOUND TRAP/COMTAC 2/ PACKAGE	
14	MT205-1/SP	2	MICROPHONE COMP. WITH MOLEX, 680 pF	
15	MT73/1	1	MIC. WATER PROOF, DYNAMIC, 240 mm CABLE	
16	OMK55-01/SP	2	PTT WITH CABLES AND 2-POLE CONN. 70 mm	
17	HY83	1	HYGIENE KIT FOR 'H7' HEADSETS	
18	A44-F/1	1	MICROPHONE GUIDE WITH FRICTION CAGE	
19	P3EG-F/SP	2	HELMET ATTACHMENT	
20	L24BT-1-F/SP	1	HB CABLE, 10+1 CORE, W. MOLEX CON. & GROM	
21	A45/1	1	MIC. GUIDE FOR B-BAND, WITH SPRING	
22	BG11-13/SP	1	NECK BAND 10+1 CORD W. GROMMETS & MOLEX	
23	B08/SP	2	HEADSTRAP B-BAND	



3M™ PELTOR™ LiteCom Plus Headset

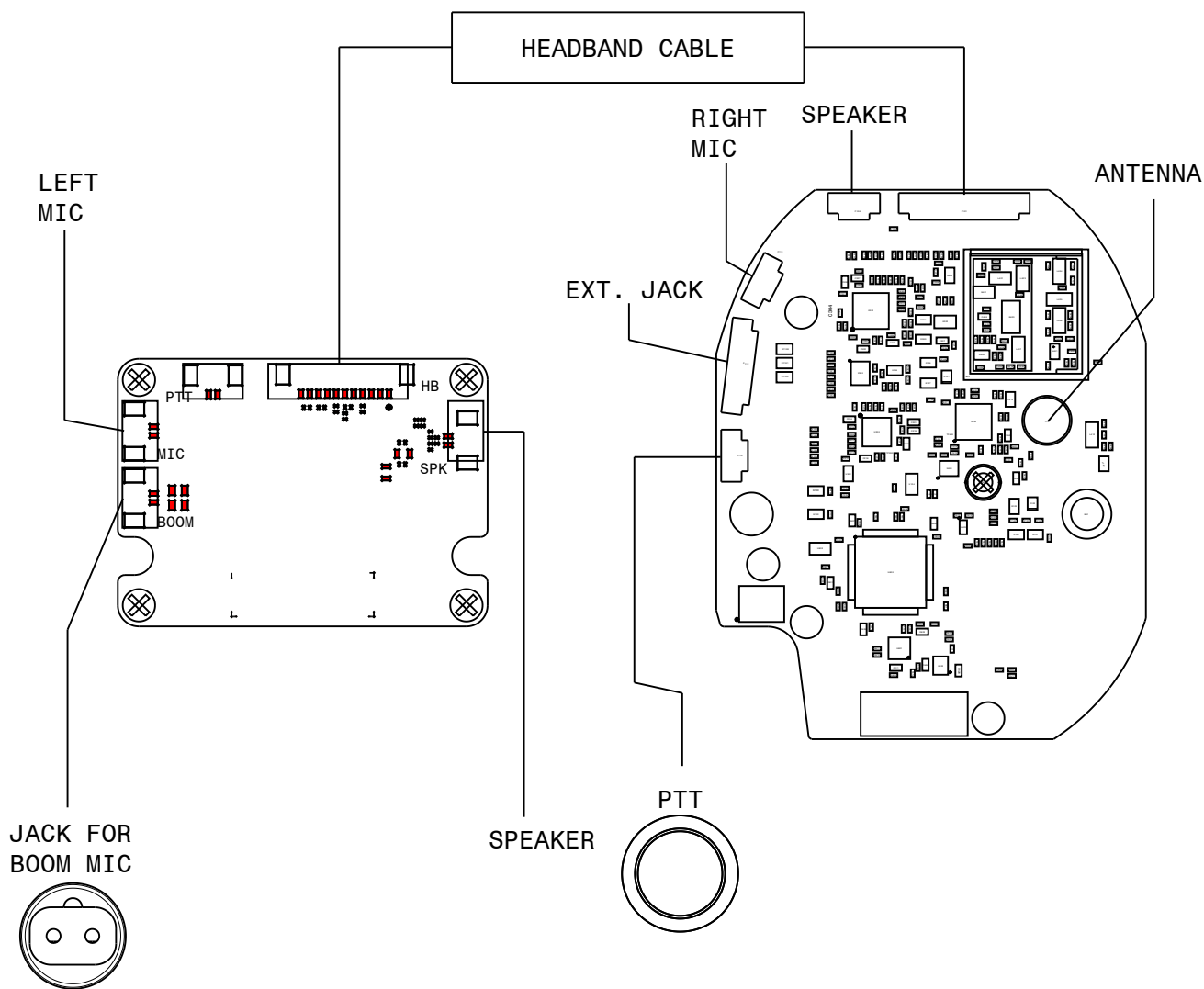
MT73H7*4*

*Designates a product variant

Doc Name: SG0075

Version: 1.0

Date: 2023-02-27





3M™ PELTOR™ LiteCom Plus Headset

MT73H7*4*

*Designates a product variant

Doc Name: SG0075

Version: 1.0

Date: 2023-02-27

3M

3M Personal Safety Division

3M Svenska AB, Box 2341
SE-331 02 Värnamo
Sweden
www.3M.com/PELTOR
+46 370 65 65 00

3M Personal Safety Division

3M Center, Building 235-2W-70
St. Paul, MN 55144-1000

FOR MORE INFORMATION

In United States of America, contact:

www.3M.com/PELTOR
Technical Service: 1-800-665-2942
Customer Service: 1-800-328-1667
www.3M.com/workersafety
PELTOR.comms@mmm.com

In Canada, contact:

Technical Service: 1-855-484-3093
Customer Service: 1-800-364-3577
www.3M.ca/Safety
PELTOR.comms.canada@mmm.com

3M and PELTOR are trademarks of 3M Company, used under license in Canada. © 2023, 3M. All rights reserved.

The Bluetooth® word mark and logos are registered trademarks owned by Bluetooth SIG, Inc. and any use of such marks by 3M Company is under license.

Patent: www.3M.com/patent
Please recycle.

3M Personal Safety Division

3M Canada Company

P.O. Box 5757, London, Ontario N6A 4T1

Division de la protection individuelle - 3M Company Canada

3M Canada, C.P. 5757
London (Ontario) N6A 4T1

FOR MORE INFORMATION/POUR

OBTENIR DE PLUS AMPLES

RENSEIGNEMENTS

In Canada, contact/Au Canada, communiquer avec :

Internet : www.3M.ca/safety
Technical Assistance/Assistance technique : 1 800 267-4414
Centre d'aide à la clientèle/Customer Care Center : 1 800 364-3577

3M et PELTOR sont des marques de commerce de la compagnie 3M, utilisées sous licence au Canada. © 2023, 3M. Tous droits réservés.

La marque verbale et les logos Bluetooth® sont des marques déposées de Bluetooth SIG, Inc. et toute utilisation de ces marques par 3M est sous licence.

www.3M.com/patent
Veuillez recycler.

