

## 3M™ PELTOR™ WS™ LiteCom Plus Headset MT73H7X4X10WS6X (All product variants)

Doc Name: SG0069  
Version: 1.1  
Date: 2020-01-16



### General information

To maintain the product approvals, the information given by the manufacturer in this manual must be followed.

- Operators should be trained and have skills in repairing 3M™ PELTOR™ products.
- Only spare parts noted in this service guide are approved to be used. Use of parts other than those listed can affect the product approval.
- Never modify or alter the product.
- Always read and follow all User Instructions.

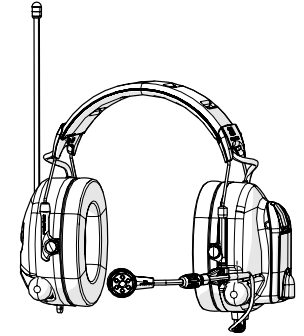
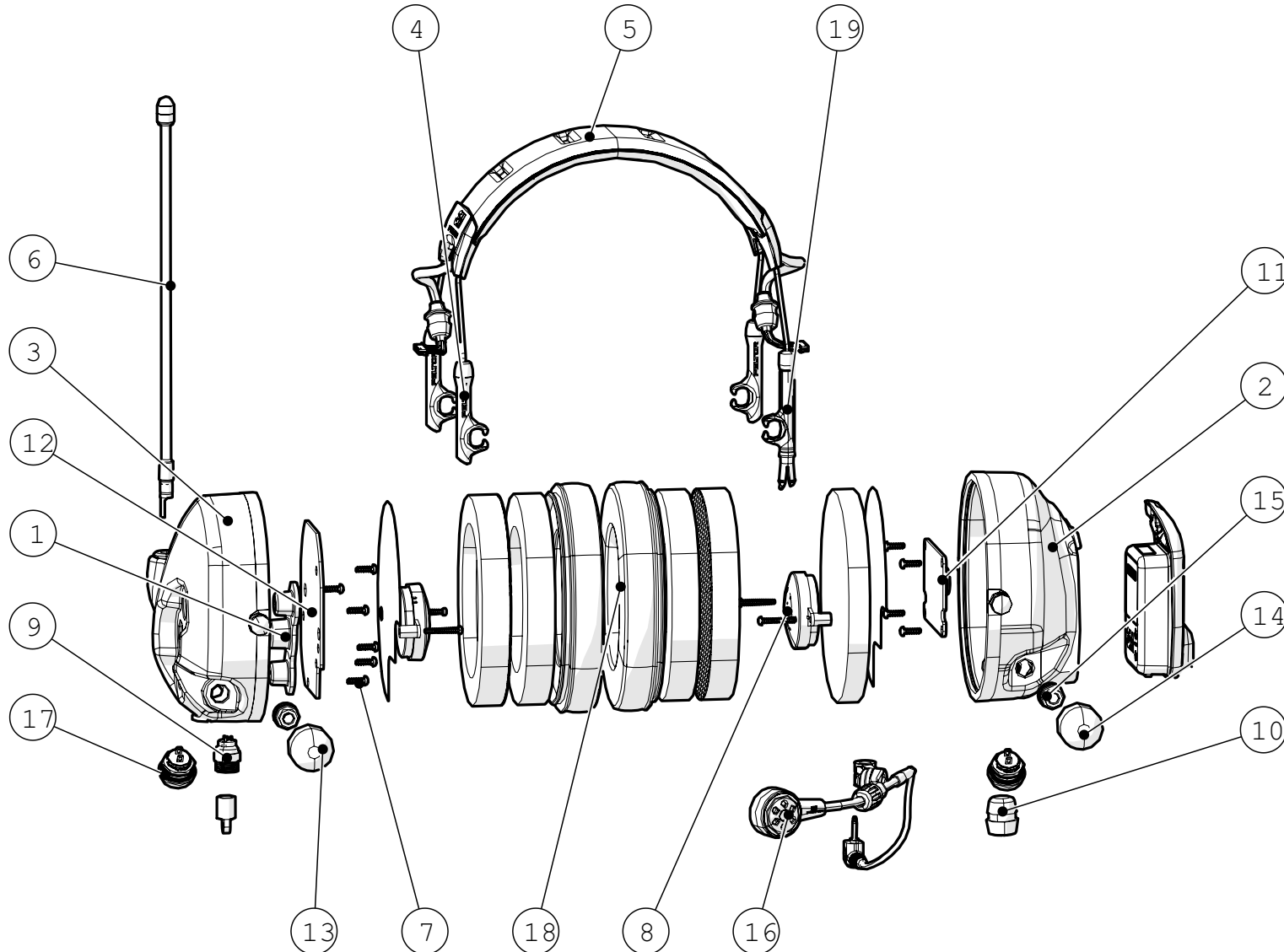
### Important Notice

© 3M 2019. All rights reserved.

Without our written permission, this document may not be copied, disclosed or otherwise divulged, made available to third parties, or be used as a basis for production or manufacture for others than 3M.

## 3M™ PELTOR™ WS™ LiteCom Plus Headset MT73H7A4X10WS6X (All product variants)

Doc Name: SG0069  
Version: 1.1  
Date: 2020-01-16

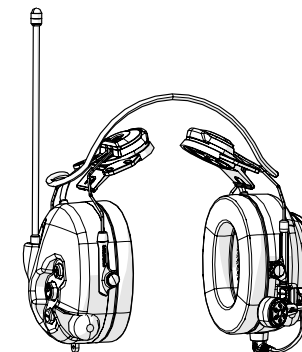
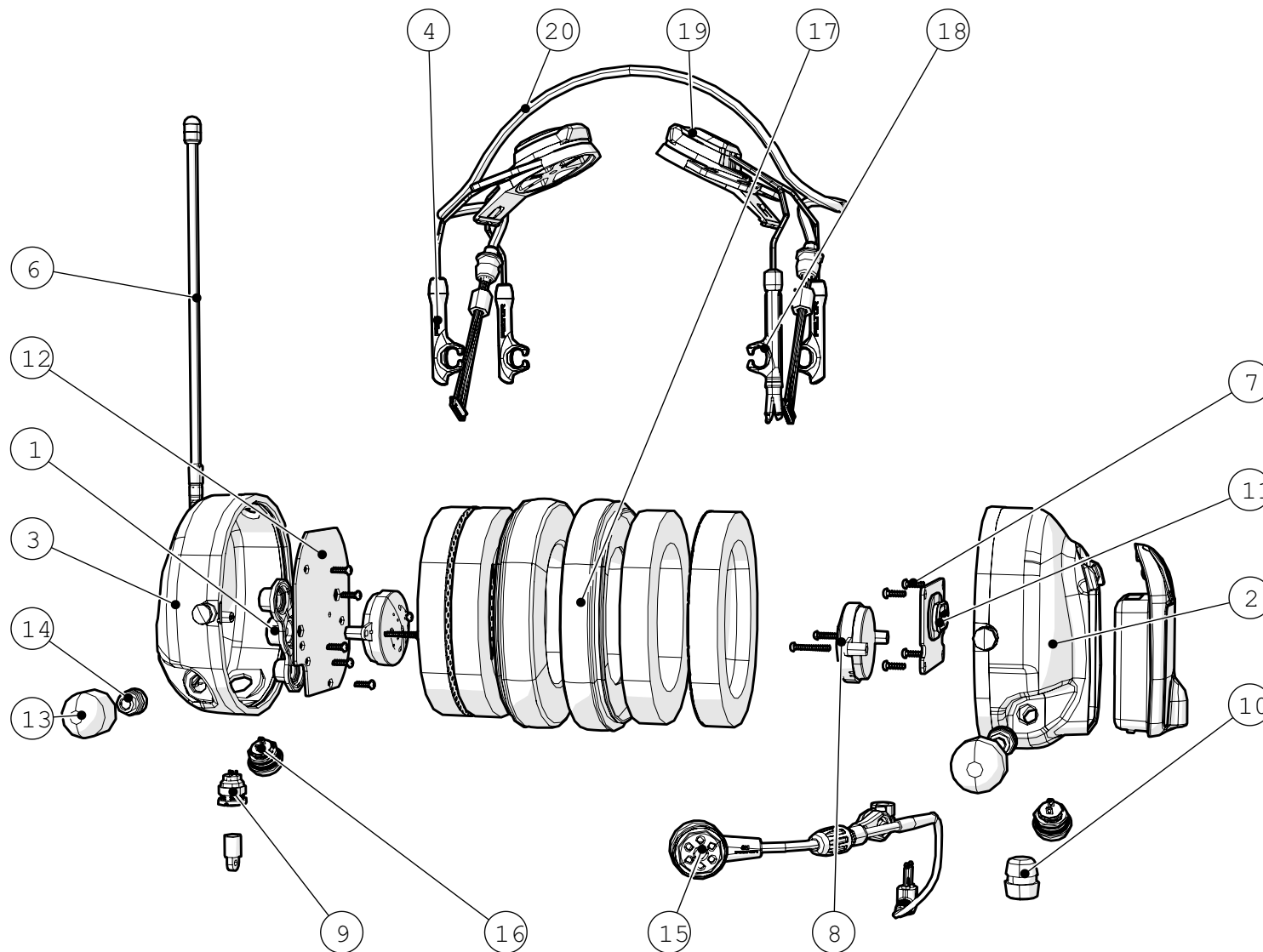


## 3M™ PELTOR™ WS™ LiteCom Plus Headset MT73H7P3E4X10WS6X (All product variants)

Doc Name: SG0069

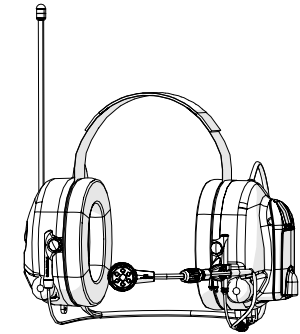
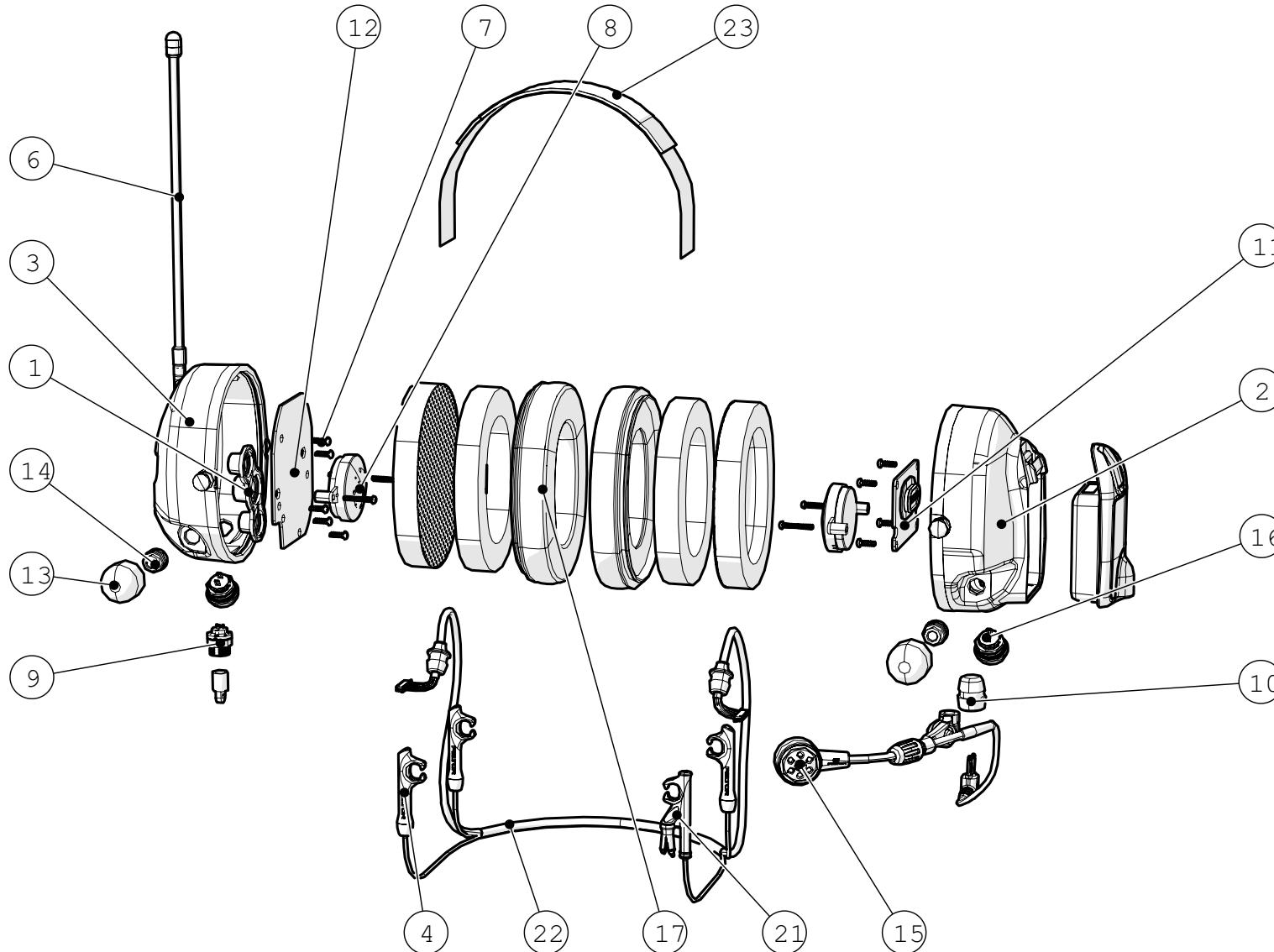
Version: 1.1

Date: 2020-01-16



## 3M™ PELTOR™ WS™ LiteCom Plus Headset MT73H7B4X10WS6X (All product variants)

Doc Name: SG0069  
Version: 1.1  
Date: 2020-01-16





**3M™ PELTOR™ WS™ LiteCom Plus Headset  
MT73H7X4X10WS6X (All product variants)**

Doc Name: SG0069

Version: 1.1

Date: 2020-01-16

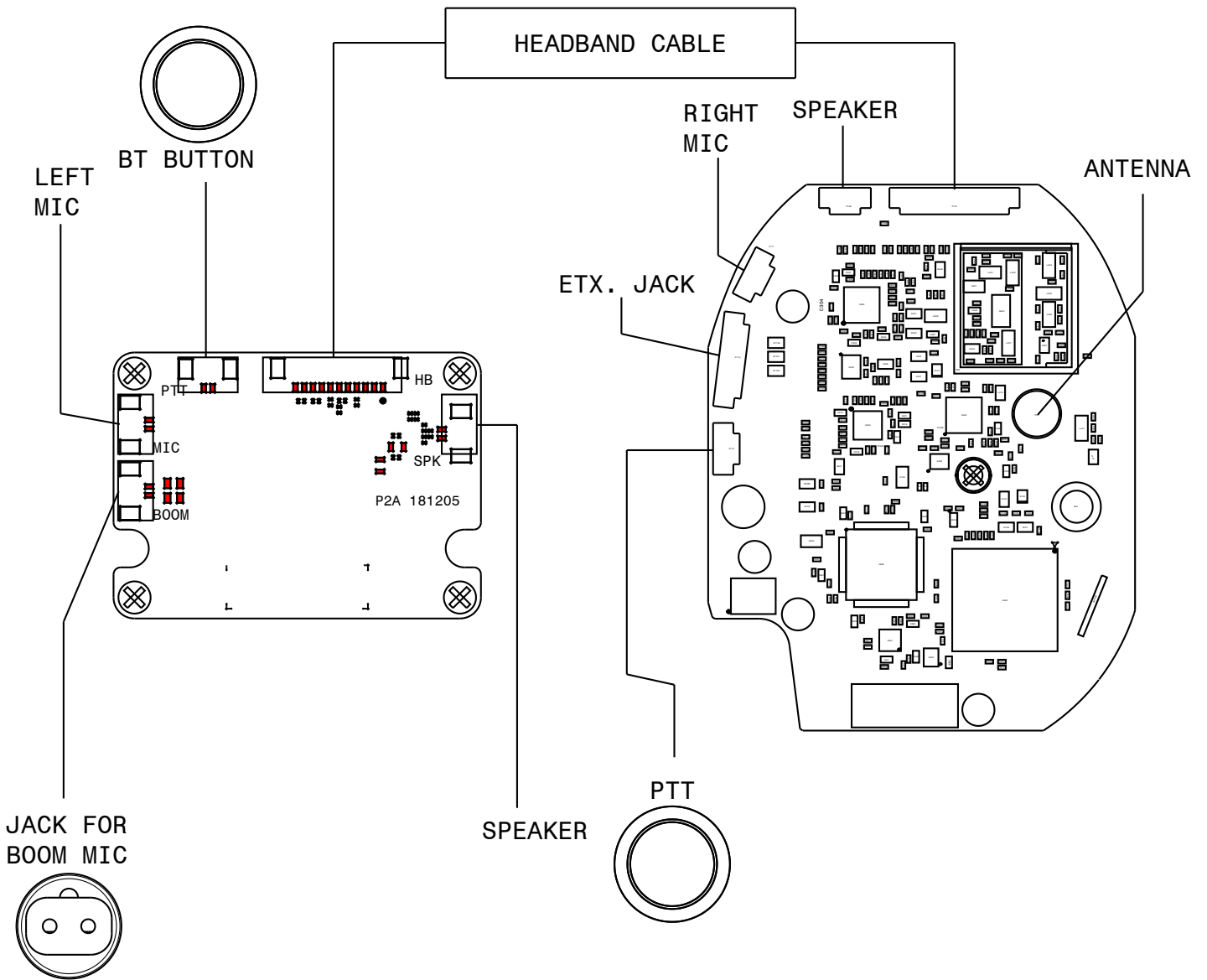
Pos	ART.NR	QTY	DESCRIPTION	INFORMATION
1	73016/SP	1	KEY PAD BT, WITH TRANSPARENT ON/OFF	
2	7335JMT205 BC/SP	1	CUP LEFT LITECOM, WITH HOLE PTT	Contains M60, J22C-02/SP and MT205-1/SP
3	79712M 657-BC/SP	1	CUP RIGHT WS LITECOM PLUS	Contains M60 and MT205-1/SP
4	A46/4	3	GUIDES W MOULDED FRICTION CAGE 4/PACKAGE	
5	AG11-13-F/SP	1	HEADBAND, 10+1 CORD, W MOLEX & MIC G.	
6	ANT26/SP	1	ANTENNA, 403-470 MHz, GREY TIP	
7	FE0087/100	10	SCREW PTKA 25x8, 100-PACK	
8	HTRL-02/SP	2	EARPHONE 100 OHM WITH 2-POLE CONNECTOR	
9	J111A-03/SP	1	JACK 4-POLE WITH 7-POLE CONN. W/O pottin	
10	J22C-02/SP	1	2-POLE JACK WITH MOLEX CONNECTOR	
11	K410*/SP	1	PCB LEFT WS LITECOM PLUS	* For current PCB version and 3M id see "Approved service"
12	K411*/SP - K413*/SP	1	PCB RIGHT WS LITECOM PLUS	* For current PCB version and 3M id see "Approved service"
13	M60/2	2	FOAM MIC COVER FOR SOUND TRAP/COMTAC 2/ PACKAGE	
14	MT205-1/SP	2	MICROPHONE COMP. WITH MOLEX, 680 pF	
15	MT73/SP	1	MIC. WATER PROOF, DYNAMIC, 240 mm CABLE	
16	OMK55-01/SP	2	PTT WITH CABLES AND 2-POLE CONN. 70 mm	
17	HY83	1	HYGIENE KIT FOR 'H7'HEADSETS	
18	A44-F/1	1	MICROPHONE GUIDE WITH FRICTION CAGE	
19	P3EG-F/SP	2	HELMET ATTACHMENT	
20	L24BT-1-F/SP	1	HB CABLE,10+1 CORE, W. MOLEX CON. & GROM	
21	A45/1	1	MIC. GUIDE FOR B-BAND, WITH SPRING	
22	BG11-13/SP	1	NECK BAND 10+1 CORD W. GROMMETS & MOLEX	
23	B013-900	2	HEADSTRAP B-BAND	





## 3M™ PELTOR™ WS™ LiteCom Plus Headset MT73H7X4X10WS6X (All product variants)

Doc Name: SG0069  
Version: 1.1  
Date: 2020-01-16





**3M™ PELTOR™ WS™ LiteCom Plus Headset  
MT73H7X4X10WS6X (All product variants)**

Doc Name: SG0069  
Version: 1.1  
Date: 2020-01-16



3M Personal Safety Division / 3M  
Svenska AB

Ingelundsvägen 21  
S-33140 Värnamo  
Sweden

For questions or technical support.  
Internet: [www.3M.com/PELTOR](http://www.3M.com/PELTOR)  
Email: [cstechservice@mmm.com](mailto:cstechservice@mmm.com)  
Telephone: +46 (0) 370 - 65 65 00  
Fax: +46 (0) 370 - 65 65 60

© 3M 2019. All rights reserved.

Without our written permission, this document may not be copied, disclosed or otherwise divulged, made available to third parties, or be used as a basis for production or manufacture for others than 3M.

3M, PELTOR and WS is a trademark of 3M Company, used under license in Canada.

3M PSD products are for occupational use only.