

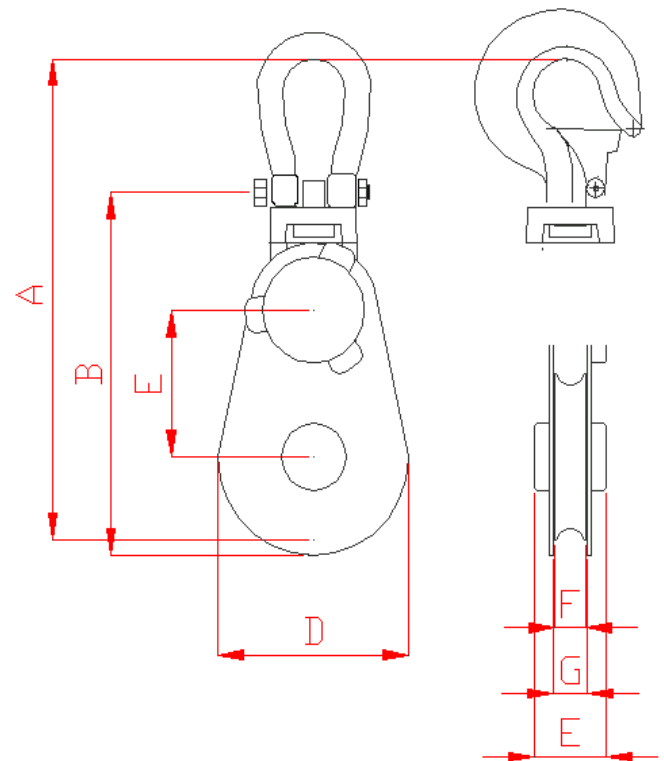
SB12-12T SNATCH BLOCK



RED ROOSTER LIFTING

STANDARD FEATURES

- ▷ Steel side plates and sheaves.
- ▷ Hardened steel sheave and load pins.
- ▷ Galvanised Safety bow shackle (RR-C-271D) on head
- ▷ Plain swivel on head for 360 degrees rotation
- ▷ 180 degree plus pivot on head
- ▷ Captured load pin with knurled release knob and R clip safety retaining pin. Grease nipple and grease-way on sheave pin.
- ▷ Can be fitted to tensioned rope (no access to rope termination required)
- ▷ Bronze bush or H.D. Taper roller bearings on sheave.
- ▷ Factor of safety 4:1
- ▷ Test plate marked with SWL in head, line pull, FOS and unique serial number.
- ▷ CE marked (SI1992: 3073) and tested LOLER (SI1998: 2307)
- ▷ Finished polyurethane reinforced enamel, colour red.



MODEL	A	B	C	D	E	F	WEIGHT
SB12-12T	730	580	260	310	123	65	54 kg

All measurements are in mm

MODEL	SWL ON HEAD	LINE PULL FOS4	SHEAVE DIAMETER
SB12-12T	12 tonne	6 tonne	305 mm
	SHEAVE MOUNTED ON	HEAD FITTING	ROPE DIAMETER RANGE
	ROLLER BEARINGS	INVERTED SHACKLE	24 to 26 mm

Information subject to change without notice

CLEARANCE

WAS ~~£174.00~~

NOW **£117.00**

Prices excluding VAT
Further reduction for multiple quantities
While stock lasts



Image for illustration purposes only

RED ROOSTER LIFTING

Nauta House, The Meadows
Oldmeldrum, Aberdeenshire
United Kingdom, AB51 0EZ

T: +44 (0) 1651 872101
E: sales@redroosterlifting.com
W: www.redroosterlifting.com