

KDT2M/2000 - DUAL SPEED ELECTRIC HOIST & TROLLEY



RED ROOSTER LIFTING

STANDARD FEATURES

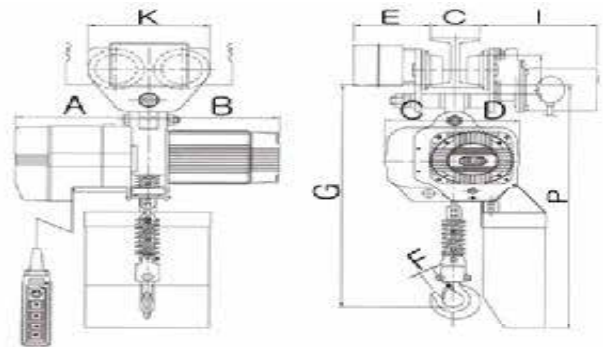
- ▷ 400v/3/50hz
- ▷ CE marked
- ▷ Swivel bottom hook with safety catch
- ▷ Grade 80 Hardened load chain
- ▷ 48v Control circuit
- ▷ Push button pendant control with emergency stop
- ▷ Protection IP 54 Adjustable slipping clutch
- ▷ Digital electronic load limiter
- ▷ Robust electrical upper and lower limit switches
- ▷ Two independent automatic fail-safe brakes
- ▷ All steel chain collector
- ▷ 4m standard HOL
- ▷ Motor Thermal Overload protection
- ▷ Flanged wheels to suit both parallel and taper beams
- ▷ Wheels mounted on roller bearings
- ▷ Adjustable to various beam widths (selection of spacers included)
- ▷ Locking nuts on load bar
- ▷ Anti drop plates
- ▷ Hoist suspension plate
- ▷ Push button pendant control with emergency stop
- ▷ CE marked
- ▷ Fitted with KD2 Electric Hoist



Image for illustration purposes only

MODEL	G	A	B	C	D	F
KDT2M/2000	772	303	317	100-500	168	33
	H	I	K	L	M	P
	308-B	169-B	296	31	100	770

All measurements are in mm



MODEL	CAPACITY	LIFTING SPEED	TROLLEY SPEED	BEAM WIDTH	MIN RADIUS FOR CURVE
KDT2M/2000	2 TONNE	6.2/1.6 M/MIN	10 M/MIN	100-150 MM	1500 MM
	LOAD CHAIN Ø	FALLS	HEIGHT OF LIFT	DUTY RATING	NET WEIGHT
	11.2 MM	1	3 M	15/5 MIN	177 KG

Information subject to change without notice

CLEARANCE

NOW £900.00

Prices excluding VAT
While stock lasts

RED ROOSTER LIFTING

Nauta House, The Meadows
Oldmeldrum, Aberdeenshire
United Kingdom, AB51 0EZ

T: +44 (0) 1651 872101
E: sales@redroosterlifting.com
W: www.redroosterlifting.com