

# A60 LPR3 AIR WINCH



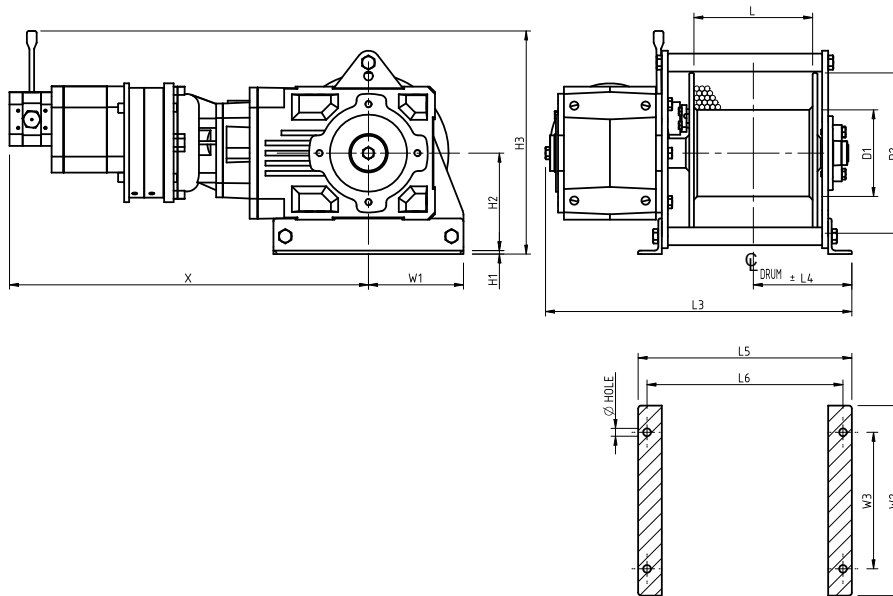
# RED ROOSTER LIFTING

## STANDARD FEATURES

- ▷ High efficiency transmission
- ▷ Right angle helical gearbox
- ▷ Radial piston air motor
- ▷ Steel drum (not grooved) with cable fixing point at flange
- ▷ Two drum supports
- ▷ Automatic disc brake
- ▷ Lever operated proportional control valve
- ▷ FEM / ISO class: T3-L3-M4

MODEL	WLL 1st LAYER KG	WLL 5th LAYER KG	AVERAGE SPEED* M/MIN	MAXIMUM SPEED** M/MIN	FLOW IN L/SEC
A60 LPR3	2700	1800	11	11	100
	RECOMMENDED ROPE DIA MM		DRUMCAP 1st LAYER M	DRUMCAP 5th LAYER M	PRESSURE DROP IN BAR
	13		17	129	7

Information subject to change without notice  
 \* Average speed is based on the speed in the middle layer at 75% of WLL  
 \*\* Maximum speed is based on the speed in the top layer at unloaded conditions



FOOTPRINT - TOP VIEW-

MODEL	MASS KG	D1	D2	L1	L2	L3	L4	L5	L6	H1	H2	H3	W1	W2	W3	HOLE Ø	X (LV)	X (GP)
A60 LPR3	255	220	390	400	180	790	270	575	545	6	239	440	235	470	430	13 (8x)	805	715

All measurements are in mm

# CLEARANCE

# NOW £2000.00

Prices excluding VAT  
While stock lasts

**RED ROOSTER LIFTING**  
 Nauta House, The Meadows  
 Oldmeldrum, Aberdeenshire  
 United Kingdom, AB51 0EZ

T: +44 (0) 1651 872101  
 E: sales@redroosterlifting.com  
 W: www.redroosterlifting.com