

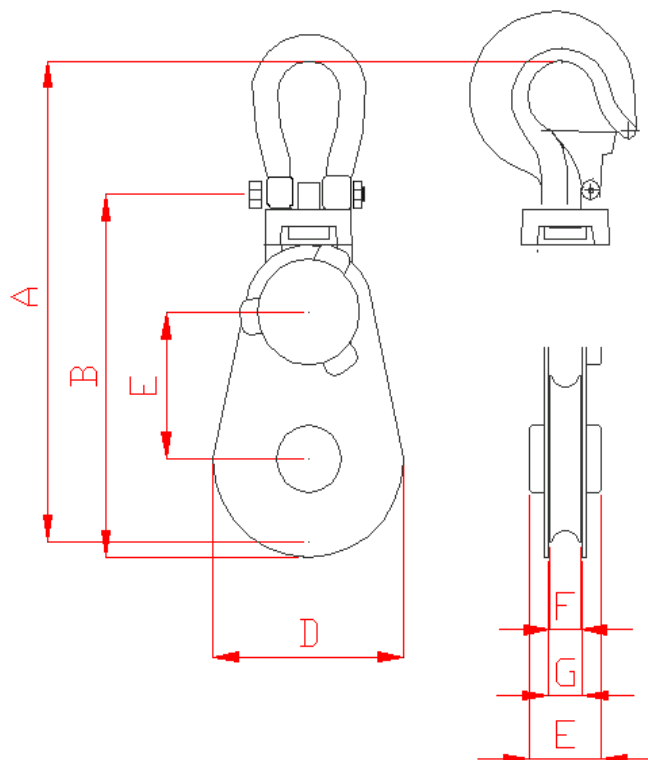
# SB4.5-4T SNATCH BLOCK



# RED ROOSTER LIFTING

## STANDARD FEATURES

- ▷ Steel side plates and sheaves.
- ▷ Hardened steel sheave and load pins.
- ▷ Galvanised Safety bow shackle (RR-C-271D) on head
- ▷ Plain swivel on head for 360 degrees rotation
- ▷ 180 degree plus pivot on head
- ▷ Captured load pin with knurled release knob and R clip safety retaining pin. Grease nipple and grease-way on sheave pin.
- ▷ Can be fitted to tensioned rope (no access to rope termination required)
- ▷ Bronze bush or H.D. Taper roller bearings on sheave.
- ▷ Factor of safety 4:1
- ▷ Test plate marked with SWL in head, line pull, FOS and unique serial number.
- ▷ CE marked (SI1992: 3073) and tested LOLER (SI1998: 2307)
- ▷ Finished polyurethane reinforced enamel, colour red.



MODEL	A	B	C	D	E	F	WEIGHT
SB4.5-4T	340	245	100	120	69	32	6 kg

All measurements are in mm

MODEL	SWL ON HEAD	LINE PULL FOS4	SHEAVE DIAMETER
SB4.5-4T	4 tonne	2 tonne	114 mm
	SHEAVE MOUNTED ON	HEAD FITTING	ROPE DIAMETER RANGE
	BRONZE BUSH	INVERTED SHACKLE	10 to 14 mm

Information subject to change without notice

## CLEARANCE

**WAS** ~~£40.00~~

**NOW** **£27.00**

Prices excluding VAT  
Further reduction for multiple quantities  
While stock lasts



Image for illustration purposes only

## RED ROOSTER LIFTING

Nauta House, The Meadows  
Oldmeldrum, Aberdeenshire  
United Kingdom, AB51 0EZ

T: +44 (0) 1651 872101  
E: sales@redroosterlifting.com  
W: www.redroosterlifting.com