

# TCR-2000-LHR LOW HEADROOM AIR HOIST

The **TCR-2000-LHR** is a 2 tonne low headroom chain hoist and trolley from Red Rooster Lifting. This is part of our air hoist and trolley range for lifting equipment applications in industry.



**RED ROOSTER  
LIFTING**

RAISING EXPECTATIONS

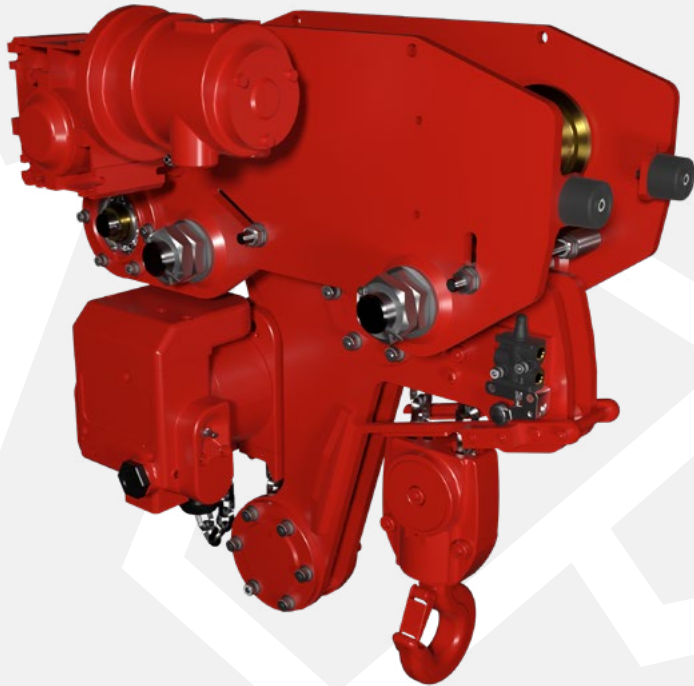
The **Red Rooster Lifting** TCR series of air hoists offers a comprehensive range of lifting equipment suited to all types of industrial and marine environments. Red Rooster Lifting hoists are the perfect lifting solution for where the duty is high, or where a robust hoist is required to withstand harsh conditions. The hoists comply with the European Machinery Directive and are all CE marked.

## STANDARD FEATURES

- Toku rotary vane motor
- ATEX zone 2 specification
- Robust epicycle gearbox
- Failsafe automatic internal disc brake
- Upper & lower limit switches
- Cast steel housing
- Internal silencing down to 83 dB(A)
- Alloy safety swivel hooks with safety catch
- Load chain of European manufacture EN818-7
- Automatic load limiter

## AVAILABLE OPTIONS

- Marine specification
- Collision bumpers
- ATEX zone 1 specification
- Articulated trolleys
- Rack & pinion drive
- Travel limits
- Air Service units
- Festoon systems
- Radio control remote
- Main air shut off valve
- Special paint systems
- Beam brake
- Other travel speeds



**ATEX ZONE 2  
AS STANDARD**

T: +44 (0) 1651 872101  
sales@redroosterlifting.com

**REDROOSTERLIFTING.COM**

**Red Rooster Lifting Limited** Nauta House, The Meadows, Oldmeldrum, Inverurie, Aberdeenshire, UK, AB51 0EZ



# TCR-2000-LHR LOW HEADROOM AIR HOIST

**RED ROOSTER  
LIFTING**

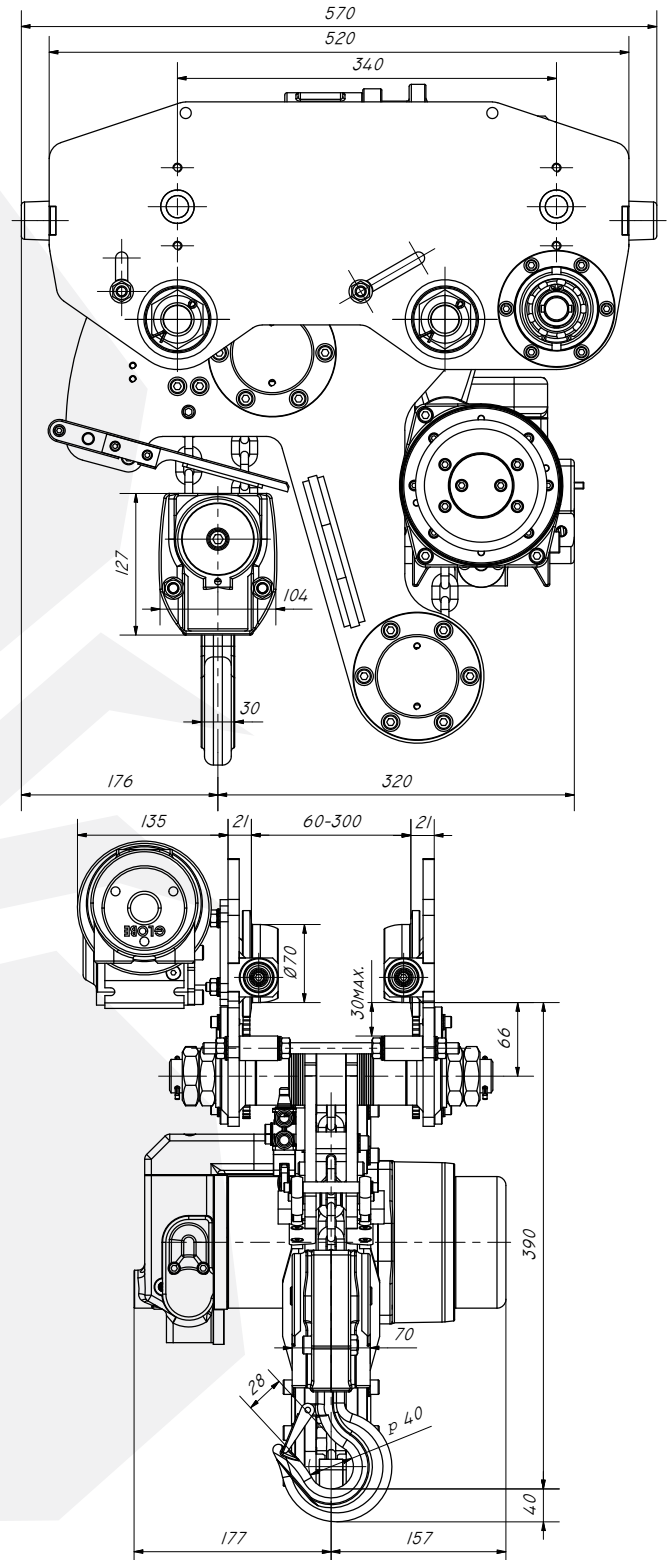
RAISING EXPECTATIONS

## DIMENSIONS

All measurements are in mm  
Information subject to change without notice

MODEL	TCR-2000-LHR
WLL	2000 kg
CHAIN FALLS	2
LIFTING SPEED FULL LOAD (M/MIN)	3.0
LIFTING SPEED WITHOUT FULL LOAD (M/MIN)	5.7
LOWERING SPEED FULL LOAD (M/MIN)	5.2
TRAVEL SPEED (M/MIN)	9.0
HOIST AIR CONSUMPTION (L/SEC)	25
TROLLEY AIR CONSUMPTION (L/SEC)	25
INLET CONNECTION	1/2"
WEIGHT WITH 3M HOL	105 kg
ADDITIONAL METRE HOL	2.2 kg
FLANGE MINIMUM (MM)	60
FLANGE MAXIMUM (MM)	300
G.A. DRAWING	1525-00

AT\_S = STANDARD AT\_ATX = ATEX



T: +44 (0) 1651 872101  
sales@redroosterlifting.com