

TCR-1000/2-LHR LOW HEADROOM AIR HOIST

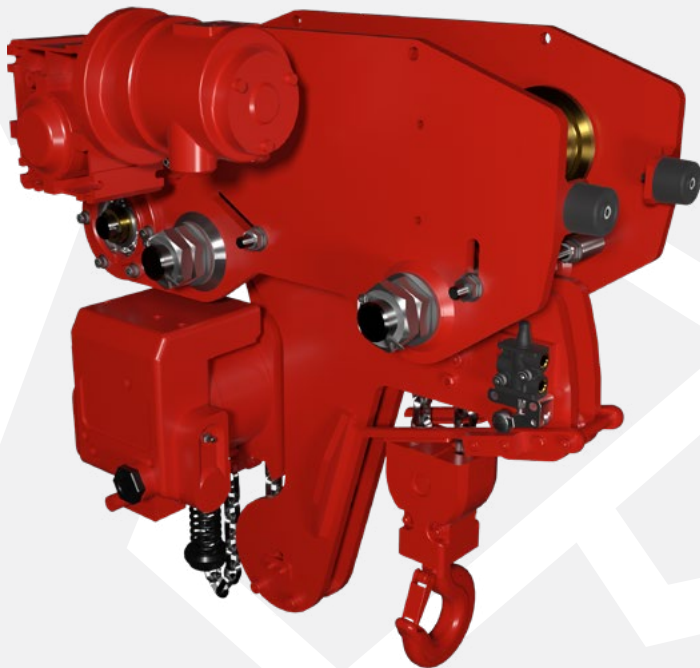


**RED ROOSTER
LIFTING**

RAISING EXPECTATIONS

The **TCR-1000/2-LHR** is a 1 tonne low headroom chain hoist and trolley from Red Rooster Lifting. This is part of our air hoist and trolley range for lifting equipment applications in industry.

The **Red Rooster Lifting** TCR series of air hoists offers a comprehensive range of lifting equipment suited to all types of industrial and marine environments. Red Rooster Lifting hoists are the perfect lifting solution for where the duty is high, or where a robust hoist is required to withstand harsh conditions. The hoists comply with the European Machinery Directive and are all CE marked.



STANDARD FEATURES

- Toku rotary vane motor
- ATEX zone 2 specification
- Robust epicycle gearbox
- Failsafe automatic internal disc brake
- Upper & lower limit switches
- Cast steel housing
- Internal silencing down to 83 dB(A)
- Alloy safety swivel hooks with safety catch
- Load chain of European manufacture EN818-7
- Automatic load limiter

AVAILABLE OPTIONS

- Marine specification
- Collision bumpers
- ATEX zone 1 specification
- Articulated trolleys
- Rack & pinion drive
- Travel limits
- Air Service units
- Festoon systems
- Radio control remote
- Main air shut off valve
- Special paint systems
- Beam brake
- Other travel speeds



**ATEX ZONE 2
AS STANDARD**

T: +44 (0) 1651 872101
sales@redroosterlifting.com

REDROOSTERLIFTING.COM

Red Rooster Lifting Limited Nauta House, The Meadows, Oldmeldrum, Inverurie, Aberdeenshire, UK, AB51 0EZ

TCR-1000/2-LHR LOW HEADROOM AIR HOIST



**RED ROOSTER
LIFTING**

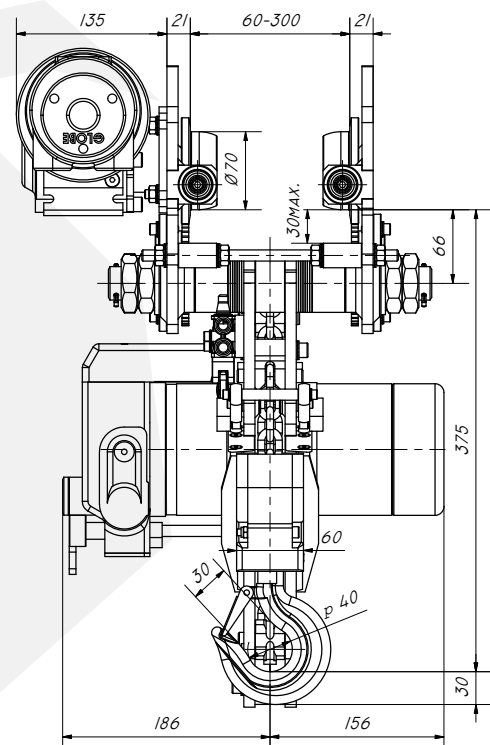
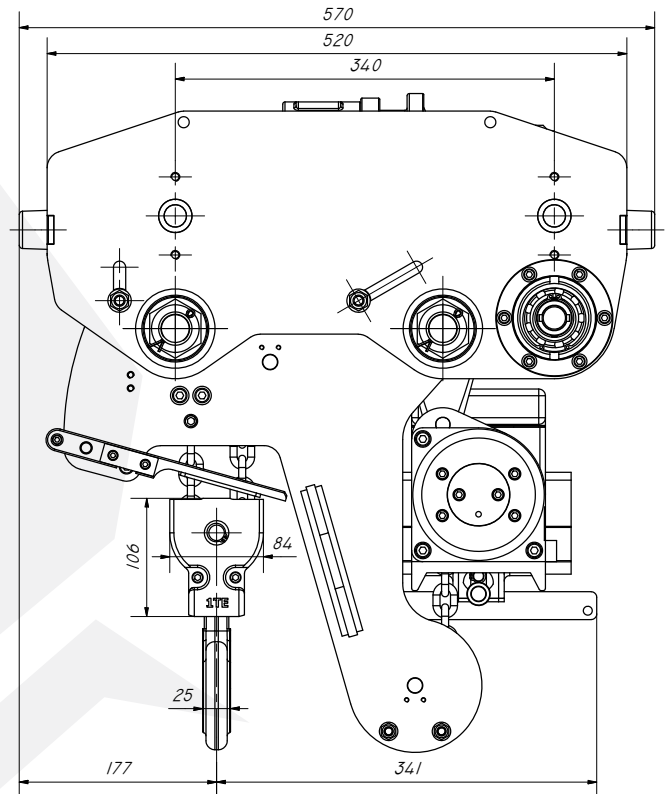
RAISING EXPECTATIONS

DIMENSIONS

All measurements are in mm
Information subject to change without notice

MODEL	TCR-1000/2-LHR
WLL	1000 kg
CHAIN FALLS	2
LIFTING SPEED FULL LOAD (M/MIN)	5.3
LIFTING SPEED WITHOUT FULL LOAD (M/MIN)	9.5
LOWERING SPEED FULL LOAD (M/MIN)	9.0
TRAVEL SPEED (M/MIN)	9.0
HOIST AIR CONSUMPTION (L/SEC)	25
TROLLEY AIR CONSUMPTION (L/SEC)	25
INLET CONNECTION	1/2"
WEIGHT WITH 3M HOL	90 kg
ADDITIONAL METRE HOL	1.6 kg
FLANGE MINIMUM (MM)	60
FLANGE MAXIMUM (MM)	300
G.A. DRAWING	1540-00

AT_S = STANDARD AT_ATX = ATEX



T: +44 (0) 1651 872101
sales@redroosterlifting.com