



STANDARD FEATURES

- ▷ Self-braking wormgear transmission
- ▷ IP 54 400 V AC / 3 phases / 50 Hz non-braked motor.
- ▷ Steel drum (not grooved) with cable fixing point at flange
- ▷ Single drum support (MCW 250, MCW 500)
- ▷ Two drum supports (all other models)
- ▷ Double layer 2-component conservation according ISO 12944 category C2-Low, colour RAL 5010
- ▷ FEM / ISO class: T2-L2-M2

AVAILABLE CONTROL OPTIONS

- ▷ IP 65 direct pendant remote control with emergency stop (up to 1.5 kW 220 V AC / 1 phase or 2.2 kW 400 V AC / 3 phase)
- ▷ IP 55 Control box with push-buttons and emergency stop built acc. to NEN 1010
- ▷ IP 66 Control box with low-voltage IP 65 remote control built acc. to NEN 1010
- ▷ Load limiter
- ▷ Frequency inverter for variable speed control
- ▷ Wireless radio remote control systems
- ▷ Limit switches
- ▷ Slack wire switches

AVAILABLE OPTIONS

- ▷ Braked motor (aluminium or cast iron)
- ▷ IP 56 TENV cast iron motor for marine applications
- ▷ 220V single-phase motors (up to MCW 750)
- ▷ 24 V DC motors
- ▷ Explosion-proof motors
- ▷ Protective steel motor cover
- ▷ Manual or remotely controlled disengaging clutch
- ▷ Band brakes
- ▷ Grooved drum
- ▷ Drum pressure roller
- ▷ Alternative speeds
- ▷ Alternative drum dimensions / split drums /additional rope anchors / etc.
- ▷ Drum guards
- ▷ Emergency cranking
- ▷ Marine / offshore coating systems

MODEL	WLL PULLING 1st LAYER KG	WLL PULLING 5th LAYER KG	WLL LIFTING 1st LAYER KG	WLL LIFTING 5th LAYER KG	RECOMMENDED ROPE DIA MM	SPEED 1st LAYER M/MIN	DRUMCAP 1st LAYER M	DRUMCAP 5th LAYER M	MOTOR POWER 400 V kW S2
MCW 250	250	170	200	135	6	6	2	19	0.75
MCW 500	500	340	400	275	6	6	2	19	1.1
MCW 750	750	490	600	390	7	6	6	42	1.5
MCW 1200	1200	750	960	600	8	5	5	38	2.2
MCW 1700	1700	1055	1300	805	10	6	7	50	4
MCW 2200	2200	1365	1700	1055	12	7	9	63	5.5
MCW 2800	2800	1745	2000	1245	13	8	11	76	7.5
MODEL (1 PHASE)	WLL PULLING 1st LAYER KG	WLL PULLING 5th LAYER KG	WLL LIFTING 1st LAYER KG	WLL LIFTING 5th LAYER KG	RECOMMENDED ROPE DIA MM	SPEED 1st LAYER M/MIN	DRUMCAP 1st LAYER M	DRUMCAP 5th LAYER M	MOTOR POWER 230 V 1 PH kW S2
MCW 250 SPH	250	170	200	135	6	5	2	19	0.75
MCW 500 SPH	500	340	400	275	6	5	2	19	1.5
MCW 750 SPH	700	460	550	360	7	5	6	42	1.8

Information subject to change without notice

MCW WINCH SERIES ELECTRIC WORMGEAR



RED ROOSTER LIFTING

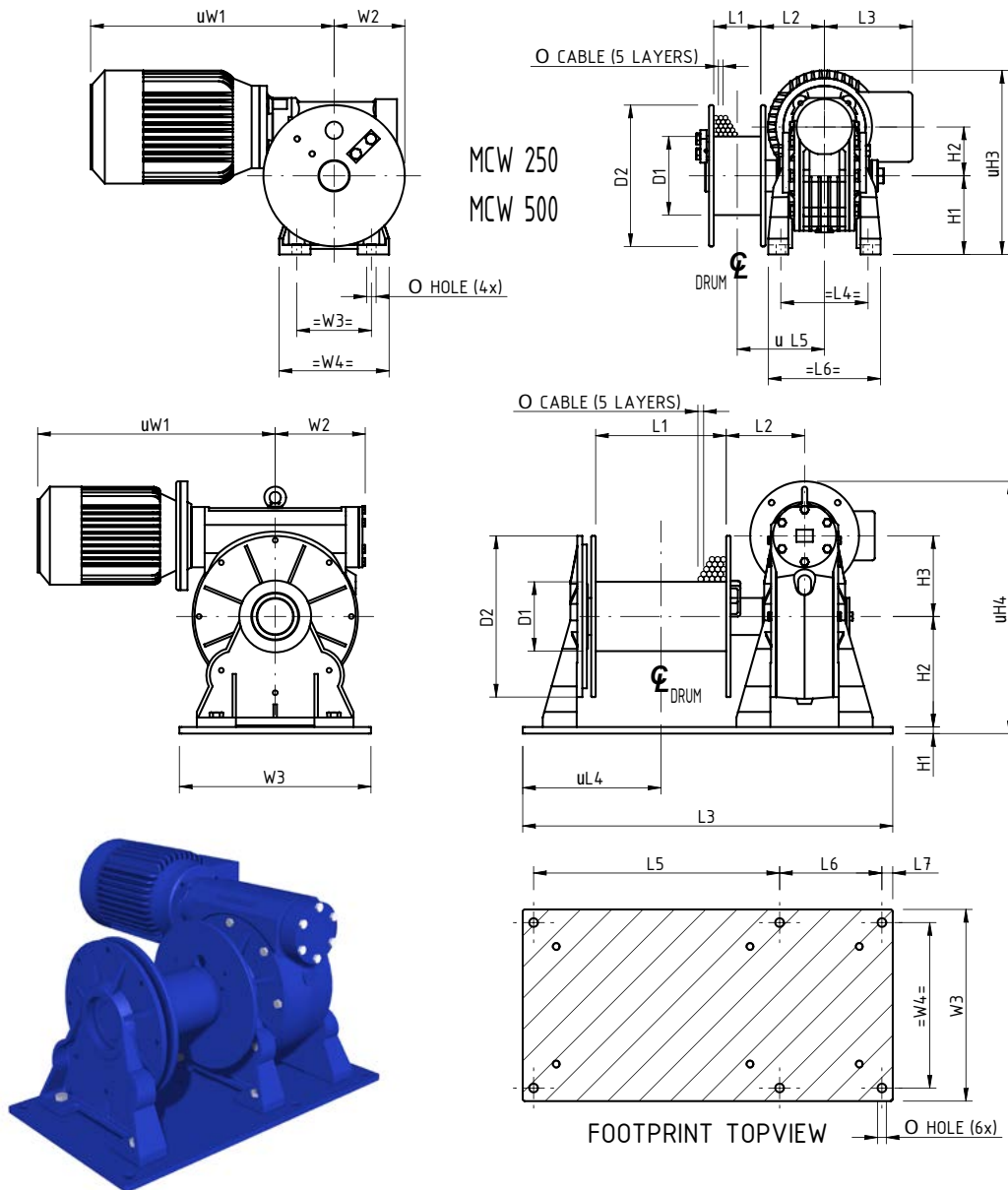


Image for illustration purposes only

MODEL	MASS KG	D1	D2	L1	L2	L3	L4	L5	L6	L7	H1	H2	H3	H4	W1	W2	W3	W4	HOLE Ø
MCW 250	20	100	180	60	81	118	111	111	143	-	100	62	233	-	310	90	95	140	11.5
MCW 500	35	100	200	60	91	129	146	121	186	-	142	87	309	-	358	110	140	220	11.5
MCW 750	55	100	200	150	104	500	187	320	150	15	10	142	87	320	358	110	270	240	13
MCW 1200	90	100	250	150	125.5	560	203	340	180	20	10	170	110	380	421	140	325	285	17
MCW 1700	140	121	280	200	146.5	640	232	415	185	20	15	195	130	443	492	154	370	320	17
MCW 2200	190	146	320	250	155	710	260	470	200	20	15	220	150	510	519	180	410	360	17
MCW 2800	260	159	370	300	180	850	318	565	235	25	15	254	182	579	546	207	440	380	20

All measurements are in mm

RED ROOSTER LIFTING

Nauta House, The Meadows
Oldmeldrum, Aberdeenshire
United Kingdom, AB51 0EZ

T: +44 (0) 1651 872101
E: sales@redroosterlifting.com
W: www.redroosterlifting.com