



STANDARD FEATURES

- ▷ Self-braking worm gear transmission
- ▷ IP 56 TENV cast iron non-braked motor
400 V AC / 3 phases / 50 Hz.
- ▷ Steel drum (not grooved) with cable fixing point at flange
- ▷ Two drum supports
- ▷ Double layer 2-component conservation according
ISO 12944 category C2-Low, colour RAL 5010
- ▷ FEM / ISO class T2-L2-M2

AVAILABLE CONTROL OPTIONS

- ▷ IP 55 Control box with push-buttons and emergency
stop built acc. to NEN 1010
- ▷ IP 55 Control box with low-voltage IP 65 remote
control built acc. to NEN 1010
- ▷ Load limiter
- ▷ Frequency inverter for variable speed control
- ▷ Limit switches

AVAILABLE OPTIONS

- ▷ Braked motor
- ▷ Alternative speeds
- ▷ Marine / offshore coating systems

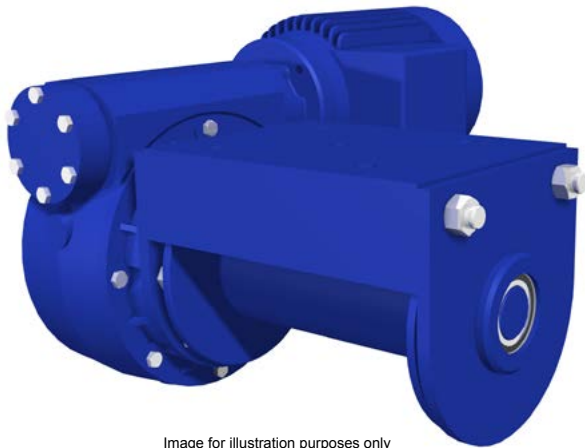
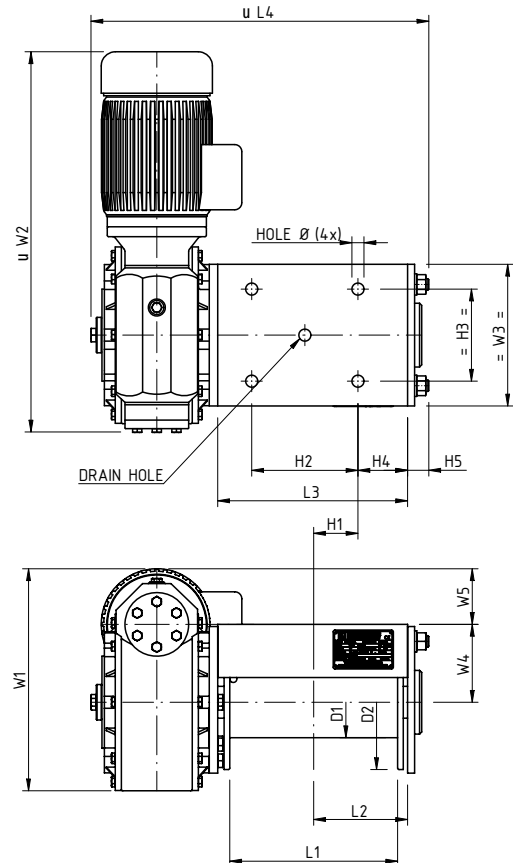


Image for illustration purposes only



MODEL	WLL 1st LAYER KG	WLL 4th LAYER KG	RECOMMENDED ROPE DIA MM	SPEED 1st LAYER M/MIN	DRUMCAP 1st LAYER M	DRUMCAP 4th LAYER M	MOTOR POWER 400 V kW	WEIGHT WITHOUT ROPE KG
MC 1200 AK	960	665	8	5	9	45	1.5	92
MC 1700 AK	1300	890	10	6	8	45	3	140

Information subject to change without notice

MODEL	MASS KG	D1	D2	L1	L2	L3	L4	H1	H2	H3	H4	H5	W1	W2	W3	W4	W5	HOLE Ø
MC 1200 AK	92	100	190	237	132.5	268	477	62.5	150	130	70	30	313.5	537	200	110	78.5	17
MC 1700 AK	140	121	240	240	134	291	540	59	170	160	75	30	400	638	240	150	105	17

All measurements are in mm