



## STANDARD FEATURES

- ▷ Self-braking wormgear transmission
- ▷ IP 54 aluminium braked motor 400 VAC /3 phases / 50 Hz.
- ▷ Grooved steel drum (not grooved on EN 200, EN 450) with cable fixing point at flange
- ▷ Single drum support (EN 200, EN 450)
- ▷ Two drum supports (all other models)
- ▷ Double layer 2-component conservation according ISO 12944 category C2-Low, colour RAL 5010
- ▷ FEM / ISO class T3-L3-M4

## AVAILABLE OPTIONS

- ▷ IP 56 TENV cast iron motor for marine applications
- ▷ 220 V AC single-phase motors (up to EN 500)
- ▷ 24 V DC motors
- ▷ Explosion-proof motors
- ▷ Protective steel motor cover
- ▷ Drum pressure roller
- ▷ Alternative speeds
- ▷ Alternative drum dimensions / split drums / additional rope anchors / etc.
- ▷ Drum guards
- ▷ Emergency cranking
- ▷ Marine / offshore coating systems

## AVAILABLE CONTROL OPTIONS

- ▷ Direct pendant remote control IP 65 with emergency stop (up to 1.5 kW 220 VAC / 1 phase or 2.2 kW 400 VAC / 3 phase)
- ▷ IP 55 Control box with push-buttons and emergency stop built acc. to NEN 1010
- ▷ IP 66 Control box with low voltage IP 65 remote control built acc. to NEN 1010
- ▷ Load limiter (required by CE for applications exceeding 1000 kg WLL)
- ▷ Frequency inverter for variable speed control
- ▷ Wireless radio remote control systems
- ▷ Limit switches
- ▷ Slack wire switches

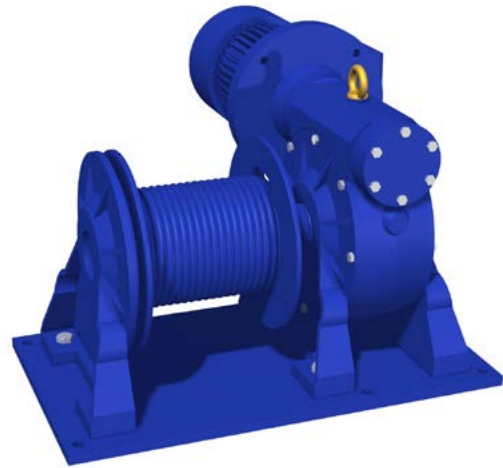
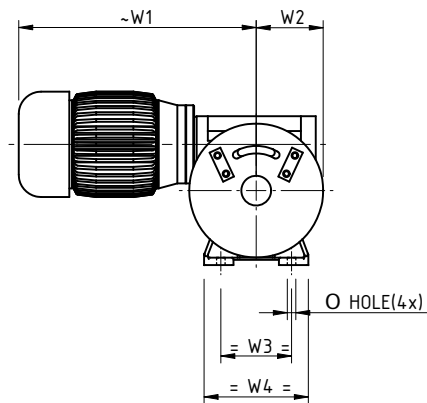


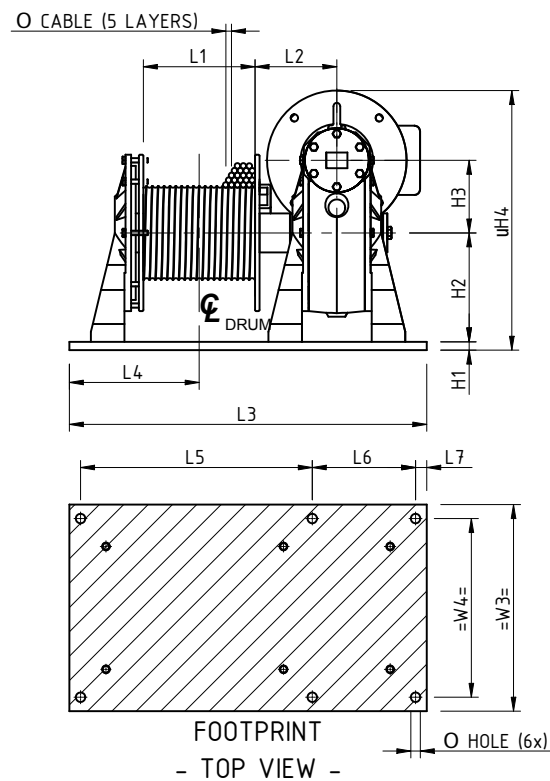
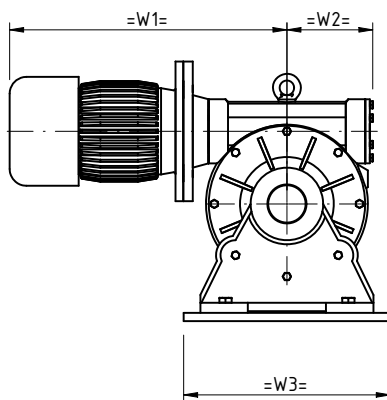
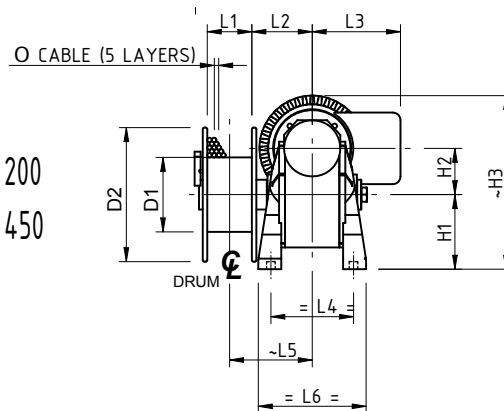
Image for illustration purposes only

MODEL	WLL 1st LAYER KG	WLL 3rd LAYER KG	RECOMMENDED ROPE DIA MM	SPEED 1st LAYER M/MIN	DRUMCAP 1st LAYER M	DRUMCAP 3rd LAYER M	MOTOR POWER 400 V kW
EN 200	200	165	5	6	3	11	0.55
EN 450	450	375	6	7	3	11	1.1
EN 500	500	405	7	5.5	7	25	1.1
EN 800	800	640	8	6	6	23	1.5
EN 1050	1050	840	10	7.5	9	31	3
EN 1325	1325	1065	11	8	11	40	4
EN 1700	1700	1370	12	9	13	48	5.5

Information subject to change without notice



EN 200  
EN 450



MODEL	MASS KG	D1	D2	L1	L2	L3	L4	L5	L6	L7	H1	H2	H3	H4	W1	W2	W3	W4	HOLE Ø
EN 200	20	100	180	60	81	118	111	111	143	-	100	62	233	-	319	90	95	140	11.5
EN 450	35	121	200	60	91	129	146	121	186	-	142	87	309	-	374	110	140	220	11.5
EN 500	55	121	200	150	104	500	187	320	150	15	10	142	87	320	392	110	270	240	13
EN 800	90	127	250	150	125.5	560	203	340	180	20	10	170	110	380	435	140	325	285	17
EN 1050	140	159	280	200	146.5	640	232	415	185	20	15	195	130	443	496	154	370	320	17
EN 1325	190	178	320	250	155	710	260	470	200	20	15	220	150	510	525	180	410	360	17
EN 1700	260	195	370	300	180	850	318	565	235	25	15	254	182	579	634	207	440	380	20

All measurements are in mm