

SC WINCH SERIES PLANETARY COMPACT BUILD



RED ROOSTER LIFTING

STANDARD FEATURES

- ▷ Heavy duty planetary gearbox
- ▷ SC E IP 54 400 V AC / 3-phases / 50 Hz braked motor
- ▷ SC H; orbit or radial piston type hydraulic motor complete with brake valve
- ▷ Steel drum with cable fixing point at flange
- ▷ Two drum supports
- ▷ Double layer 2-component conservation according ISO 12944 category C2-Low, colour RAL 5010
- ▷ FEM / ISO class: T4-L3-M5

AVAILABLE OPTIONS

- ▷ Frequency inverter for variable speed control
- ▷ Wireless radio remote control systems
- ▷ Limit switches (electric)
- ▷ Flange encoder
- ▷ Slack wire switches (electric)
- ▷ Proportional local or remote control valve (hydraulic)
- ▷ Control box IP 55 with push-buttons and emergency stop built acc. to NEN 1010
- ▷ Control box IP 66 with low-voltage IP 65 remote control built acc. to NEN 1010
- ▷ Load limiter (required by CE for applications exceeding 1000 kg WLL.)

AVAILABLE CONTROL OPTIONS

- ▷ IP 56 TENV cast iron motor for marine applications
- ▷ Explosion-proof motors
- ▷ Protective steel motor cover
- ▷ Drum pressure roller
- ▷ Band brakes (manual or fail-safe automatic)
- ▷ Manually disengaging clutch
- ▷ Alternative speeds
- ▷ Alternative supply voltages
- ▷ Drum guards
- ▷ Spooling gears
- ▷ Grooved drums
- ▷ Marine / offshore coating systems

MODEL	WLL 1st LAYER KG	WLL TOP LAYER KG	RECOMMENDED ROPE DIA MM	SPEED 1st LAYER M/MIN	SPEED TOP LAYER M/MIN	DRUMCAP TOP LAYER M	MOTOR POWER IN kW
SC 15 E	1955	1500 (5)	12	8	10	178 (5)	3
SC 20 E	2655	2000 (5)	13	11	14	167 (5)	5.5
SC 25 E	3500	2500 (5)	16	8	11	144 (5)	5.5
SC 35 E	4850	3500 (5)	18	8	11	181 (5)	7.5
SC 50 E	6880	5000 (5)	20	8	11	203 (5)	11
SC 67 E	9700	6700 (5)	24	12	17	195 (5)	22
SC 85 E	12160	8500 (5)	26	9	13	228 (5)	22
SC 110 E	15910	11000 (5)	30	7	10	228 (5)	22
SC 140 E	18555	14000 (4)	32	6	8	204 (4)	22
SC 175 E	21215	17500 (4)	38	6.5	8.5	223 (4)	30
SC 220 E	29550	22000 (4)	40	6	8	215 (4)	37

MODEL	WLL 1st LAYER KG	WLL TOP LAYER KG	RECOMMENDED ROPE DIA MM	SPEED 1st LAYER M/MIN	SPEED TOP LAYER M/MIN	DRUMCAP TOP LAYER M	FLOW IN L/MIN	PRESSURE DROP IN BAR
SC 15 H	1955	1500 (5)	12	19	25	178 (5)	60	125
SC 20 H	2655	2000 (5)	13	11	14	167 (5)	60	115
SC 25 H	3500	2500 (5)	16	12	16	144 (5)	60	135
SC 35 H	4850	3500 (5)	18	11	15	181 (5)	60	160
SC 50 H	6880	5000 (5)	20	12	16	203 (5)	70	200
SC 67 H	9700	6700 (5)	24	12	17	195 (5)	90	220
SC 85 H	12160	8500 (5)	26	12	17	228 (5)	100	235
SC 110 H	15910	11000 (5)	30	10	14	228 (5)	120	220
SC 140 H	18555	14000 (4)	32	9	12	204 (4)	115	250
SC 175 H	23215	17500 (4)	38	10	13	223 (4)	155	240
SC 220 H	29550	2200	40	9	12	214 (4)	175	245

Information subject to change without notice

RED ROOSTER LIFTING

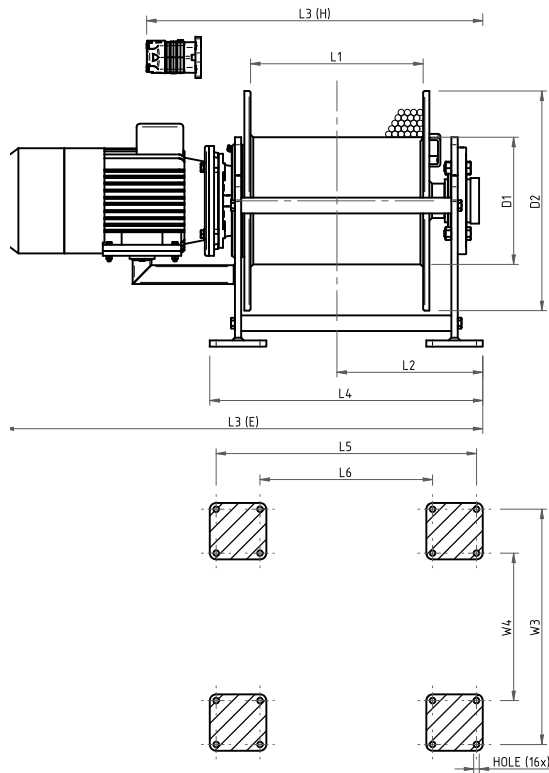
Nauta House, The Meadows
Oldmeldrum, Aberdeenshire
United Kingdom, AB51 0EZ

T: +44 (0) 1651 872101
E: sales@redroosterlifting.com
W: www.redroosterlifting.com

SC WINCH SERIES PLANETARY COMPACT BUILD



RED ROOSTER LIFTING



FOOTPRINT -TOP VIEW- A-A

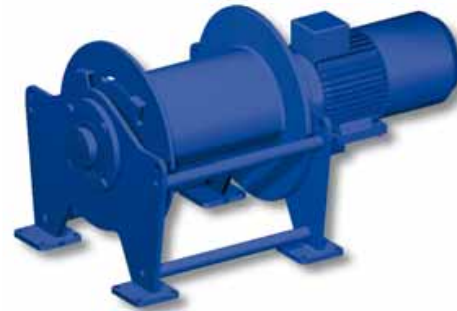
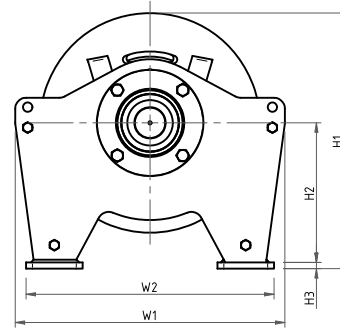


Image for illustration purposes only

MODEL	MASS KG	D1	D2	L1	L2	L3 E	L3 H	L4	L5	L6	H1	H2	H3	W1	W2	W3	W4	HOLE Ø
SC 15	315	305	500	400	322	1012	812	625	595	375	610	345	15	660	550	520	300	14
SC 20	425	305	500	400	360	1246	872	680	640	400	615	345	20	660	570	530	290	14
SC 25	470	305	550	410	375	1266	887	700	660	420	665	370	20	710	620	580	340	14
SC 35	660	355	700	500	430	1382	973	810	770	490	815	445	20	860	790	750	470	18
SC 50	810	405	700	550	465	1526	1071	870	830	550	815	445	20	860	790	750	470	18
SC 67	1120	405	750	610	528	1718	1192	980	930	630	870	470	25	950	860	810	510	26
SC 85	1350	455	850	690	582	1816	1332	1075	1025	725	970	520	25	1050	960	910	610	26
SC 110	1675	508	950	720	623	1950	1412	1140	1090	750	1070	570	25	1150	1080	1030	690	26
SC 140	2245	558	1050	820	685	2062	1495	1280	1220	820	1170	615	30	1330	1220	1160	760	33
SC 175	2920	660	1150	900	735	2353	1814	1380	1300	900	1270	665	30	1430	1340	1260	860	39
SC 220	3450	660	1250	900	748	2487	1848	1400	1320	920	1375	715	35	1530	1440	1360	960	39

All measurements are in mm

RED ROOSTER LIFTING

Nauta House, The Meadows
Oldmeldrum, Aberdeenshire
United Kingdom, AB51 0EZ

T: +44 (0) 1651 872101
E: sales@redroosterlifting.com
W: www.redroosterlifting.com