

A WINCH SERIES PLANETARY CRANE



RED ROOSTER LIFTING

STANDARD FEATURES

- ▷ High efficiency transmission
- ▷ IP 54 400 V AC / 3-phases / 50 Hz braked motor
- ▷ Steel drum (not grooved) with cable fixing point at flange
- ▷ Two drum supports (all other models)
- ▷ Double layer 2-component conservation according ISO 12944 category C2-Low, colour RAL 5010
- ▷ FEM / ISO class: T3-L3-M4

AVAILABLE CONTROL OPTIONS

- ▷ Control box IP 55 with push-buttons and emergency stop built acc. to NEN 1010
- ▷ Control box IP 66 with low voltage IP 65 remote control built acc. to NEN 1010
- ▷ Load limiter
- ▷ Frequency inverter for variable speed control
- ▷ Wireless radio remote control systems
- ▷ Limit switches
- ▷ Slack wire switches

AVAILABLE OPTIONS

- ▷ IP 56 TENV cast iron motor for marine applications
- ▷ 230 VAC single-phase motors (up to 1.8 kW)
- ▷ 24 V DC motors
- ▷ Hydraulic motors
- ▷ Explosion-proof motors
- ▷ Manual or remotely controlled disengaging clutch
- ▷ Protective steel motor cover
- ▷ Band brakes
- ▷ Grooved drum
- ▷ Motor position vertically up
- ▷ Drum pressure roller
- ▷ Alternative speeds
- ▷ Alternative drum dimensions / split drums / additional rope anchors / etc.
- ▷ Drum guards
- ▷ Marine / offshore coating systems

MODEL ELECTRIC	WLL 1st LAYER KG	WLL 5th LAYER KG	SPEED 1st LAYER M/MIN	SPEED 5th LAYER M/MIN	RECOMMENDED ROPE DIA MM	DRUMCAP 1st LAYER M	DRUMCAP 5th LAYER M	MOTOR POWER kW
A20L	500	345	3	4.5	6	7	48	0.37
A20M	500	345	8.5	12.5	6	7	48	0.75
A20H	500	345	16	23	6	7	48	1.50
A20 SP220	500	345	8.5	12.5	6	7	48	1.10
A30L	600	400	3	4.5	8	6	44	0.37
A30M	650	435	8.5	13	8	6	44	1.10
A30H	650	435	13	19.5	8	6	44	1.50
A35L	900	600	4	6	8	6	44	0.75
A35M	900	600	8.5	13	8	6	44	1.50
A35H	900	600	12	18	8	6	44	2.20
A41L	1200	820	4.5	7	9	10	62	1.10
A41M	1200	820	6	8.5	9	10	62	1.50
A41H	1200	820	13	19	9	10	62	3.00
A41 SP202	1000	385	6	8.5	9	10	62	1.50
A50L	1800	1205	4.5	7	11	10	74	1.50
A50M	1800	1205	7	10	11	10	74	2.20
A50H	1800	1205	12.5	19	11	10	74	4.00
A55L	2200	1460	5	8	12	10	72	2.20
A55M	2200	1460	7	10	12	10	72	3.00
A55H	2200	1460	13	20	12	10	72	5.50
A60L	2700	1800	4.5	7	14	17	117	2.20
A60M	2700	1800	8	12	14	17	117	4.00
A60H	2700	1800	14	21	14	17	117	7.50

Information subject to change without notice

RED ROOSTER LIFTING

Nauta House, The Meadows
Oldmeldrum, Aberdeenshire
United Kingdom, AB51 0EZ

T: +44 (0) 1651 872101
E: sales@redroosterlifting.com
W: www.redroosterlifting.com

A WINCH SERIES PLANETARY CRANE



RED ROOSTER LIFTING

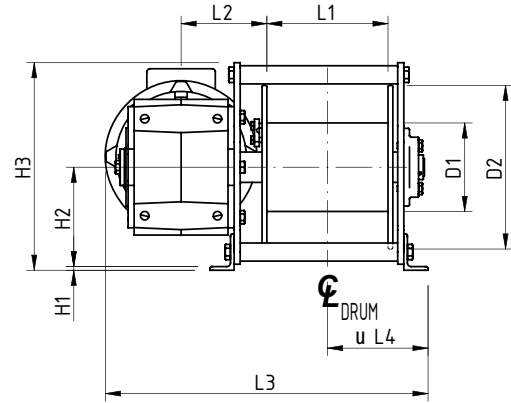
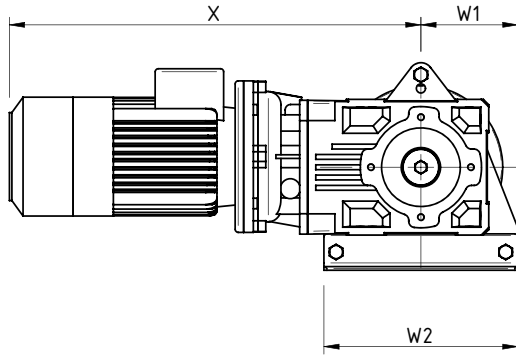
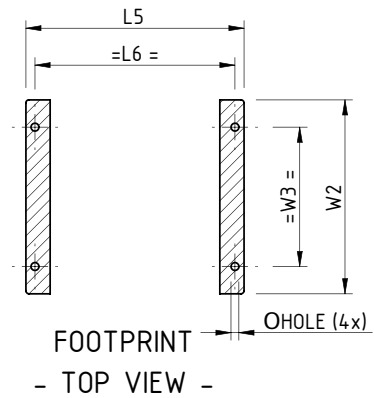


Image for illustration purposes only



MODEL	MASS KG	D1	D2	L1	L2	L3	L4	L5	L6	H1	H2	H3	W1	W2	W3	HOLE Ø
A 20	65	100	175	150	116	430	139	305	275	6	164	342	160	320	230	13 (4x)
A 30	70	121	225	150	129	445	139	310	280	6	164	342	160	320	230	13 (4x)
A 35	90	121	225	150	134	455	141	310	280	6	164	342	160	320	230	13 (4x)
A 41	110	146	270	200	141	533	166	360	330	6	164	343	160	320	230	13 (4x)
A 50	190	168	350	250	168	620	198	425	395	6	239	420	215	430	390	13 (8x)
A 55	220	178	350	250	168	645	198	425	395	6	239	420	215	430	390	13 (8x)
A 60	290	210	390	400	180	815	270	575	545	6	239	440	235	470	430	13 (8x)

All measurements are in mm

RED ROOSTER LIFTING

Nauta House, The Meadows
Oldmeldrum, Aberdeenshire
United Kingdom, AB51 0EZ

T: +44 (0) 1651 872101
E: sales@redroosterlifting.com
W: www.redroosterlifting.com