



STANDARD FEATURES

- ▷ Self-braking wormgear transmission
- ▷ Rotary vane motor
- ▷ Steel drum (not grooved) with cable fixing point at flange
- ▷ Two drum supports
- ▷ Double layer 2-component conservation according ISO 12944 category C2-Low, colour RAL 5010
- ▷ FEM / ISO class T3-L2-M3

AVAILABLE OPTIONS

- ▷ Manual disengaging clutch
- ▷ Band brakes, manual or automatic fail safe
- ▷ Grooved drum
- ▷ Drum pressure roller
- ▷ Alternative speeds
- ▷ Alternative drum dimensions / split drums / additional rope anchors / etc.
- ▷ Drum guards
- ▷ Emergency cranking
- ▷ Marine / offshore coating systems

AVAILABLE CONTROL OPTIONS

- ▷ Proportional local or remote control valve
- ▷ Pneumatic limit switch
- ▷ Pneumatic slack wire switch

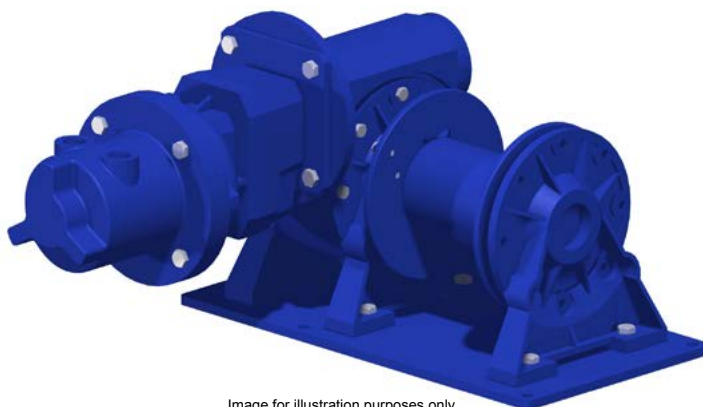


Image for illustration purposes only

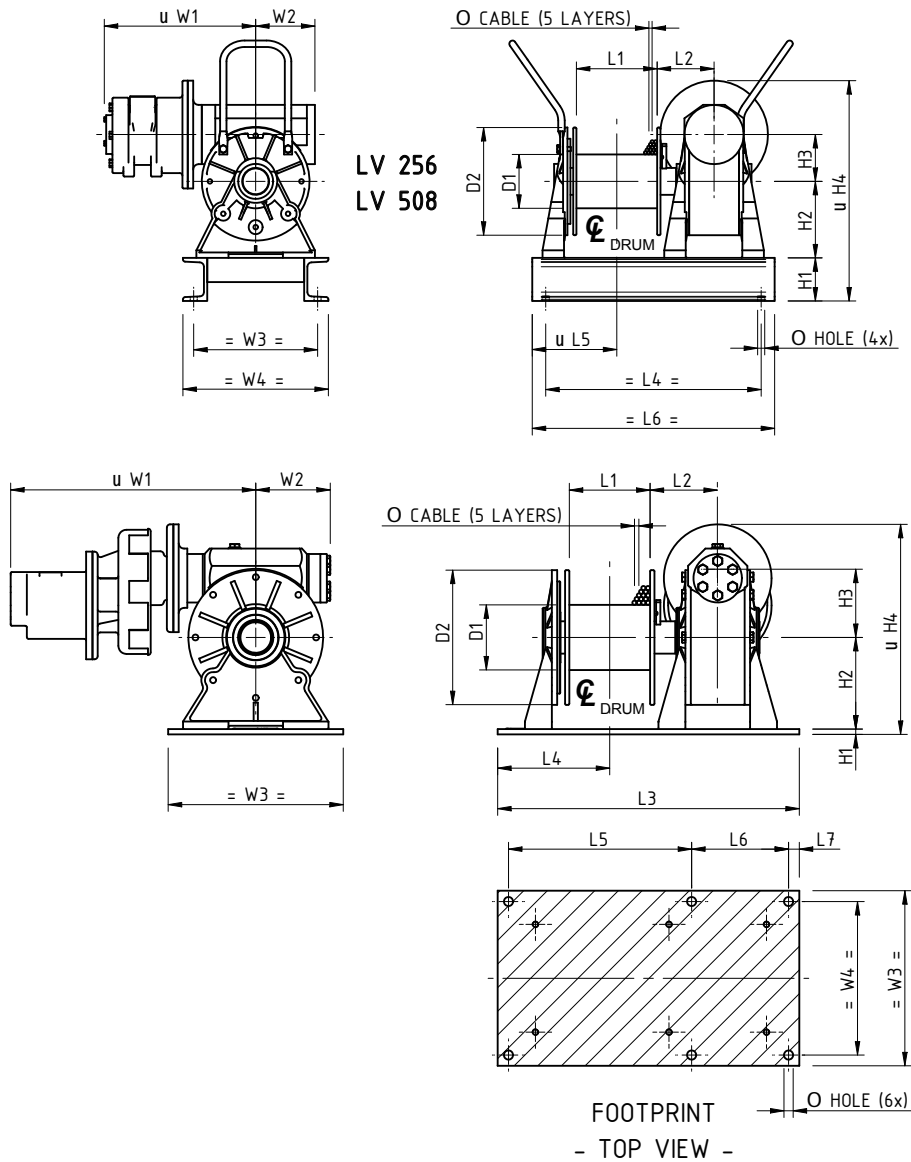
MODEL	WLL 1st LAYER KG	WLL 3rd LAYER KG	RECOMMENDED ROPE DIA MM	MAX SPEED 1st LAYER M/MIN	DRUMCAP 1st LAYER M	DRUMCAP 3rd LAYER M	PRESSURE DROP IN BAR	FLOW IN L/SEC
LV 256	250	210	5	12	8	30	6	60
LV 508	500	400	7	12	6	22	6	95
LV 425	425	350	6	5	7	26	6	20
LV 750	750	600	8	5.5	6	23	6	60
LV 1250	1250	1000	10	6	9	32	6	95
LV 1700	1700	1325	12	7	10	35	6	140

Information subject to change without notice

LV WINCH SERIES PNEUMATIC WORMGEAR



RED ROOSTER LIFTING



MODEL	MASS KG	D1	D2	L1	L2	L3	L4	L5	L6	L7	H1	H2	H3	H4	W1	W2	W3	W4	HOLE Ø
LV 256	58	100	200	150	105	-	400	157	450	-	80	142	87	409	278	110	270	230	13
LV 508	65	100	200	150	105	-	400	157	450	-	80	142	87	409	281	110	270	230	13
LV 425	59	100	200	150	105	500	187	320	150	15	10	142	87	389	374	110	270	240	13
LV 750	93	121	250	150	125.5	560	203	340	180	20	10	170	110	390	455	140	325	285	17
LV 1250	149	146	280	200	146.5	640	232	415	185	20	15	195	130	440	490	154	370	320	17
LV 1700	192	159	320	250	155	710	260	470	200	20	15	220	150	510	609	180	410	360	17

All measurements are in mm

RED ROOSTER LIFTING

Nauta House, The Meadows
Oldmeldrum, Aberdeenshire
United Kingdom, AB51 0EZ

T: +44 (0) 1651 872101
E: sales@redroosterlifting.com
W: www.redroosterlifting.com