



STANDARD FEATURES

- ▷ Heavy duty integrated planetary gearbox integrated.
- ▷ Fixed displacement axial tapered piston motor (Rexroth A2FE series)
- ▷ Steel drum, length 610 mm with cable fixing point at flange
- ▷ Two drum supports
- ▷ Standard temperature range -10° to 50°C.
- ▷ Oil bath disc brake
- ▷ Lifting lugs
- ▷ Three layer 2-component conservation according ISO 12944 category C4-High, colour RAL 1023
- ▷ FEM / ISO class: T4-L3-M5

AVAILABLE OPTIONS

- ▷ Alternative drum lengths
- ▷ Drum pressure rollers
- ▷ Drum locking pins
- ▷ Band brakes (manual or automatic fail-safe)
- ▷ Drum guards
- ▷ Drum dividers
- ▷ Spooling gears
- ▷ Grooved drums
- ▷ Tubular offshore frame construction
- ▷ Manriding package

AVAILABLE CONTROL OPTIONS

- ▷ Proportional control valves
- ▷ Load limiters
- ▷ Limit switches (electric)
- ▷ Slack wire switches (electric)
- ▷ Proportional remote control valve
- ▷ HPUs

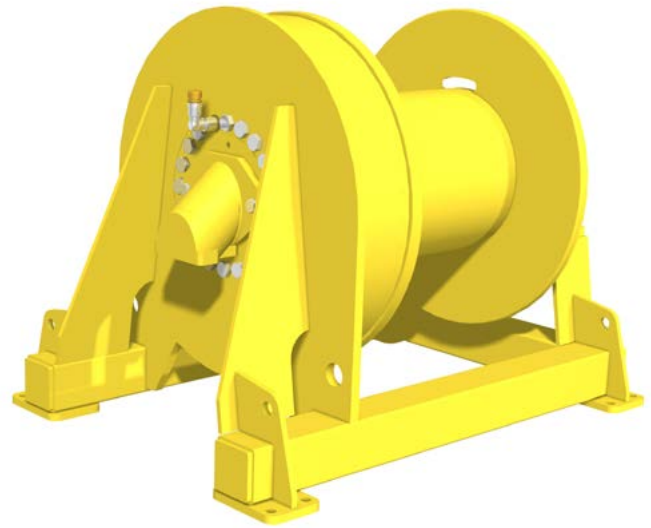
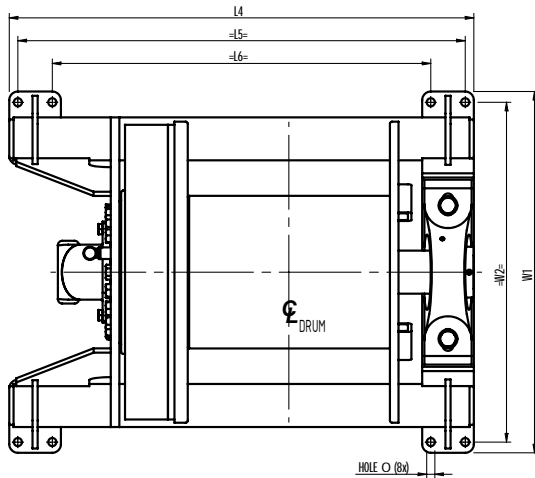
MODEL	WLL 1st LAYER KG	WLL 5th LAYER KG	RECOMMENDED ROPE DIA MM	SPEED 5th LAYER M/MIN	DRUMPCAP 5th LAYER M	PRESSURE DROP IN BAR	FLOW IN L/MIN
OHR 1.5	2000	1500	13	44	265	170	65
OHW 2.5	3440	2500	16	44	225	205	85
OHR 3.0	4400	3450	19	38	210	175	120
OHW 4.5	6330	4500	19	38	210	230	120
OHW 5.0	7030	5000	19	28	210	195	120
OHW 6.5	9170	6500	22	24	208	215	120
OHW 7.0	9880	7000	22	24	208	225	120
OHW 8.5	11800	8500	25	24	226	265	120
OHW 10.5	14300	10500	29	20	231	225	150
OHW 11.5	16090	11500	32	20	214	250	145
OHW 16	23140	16000	36	16	193	250	160
OHW 20	28115	20000	38	14	210	295	165

Information subject to change without notice

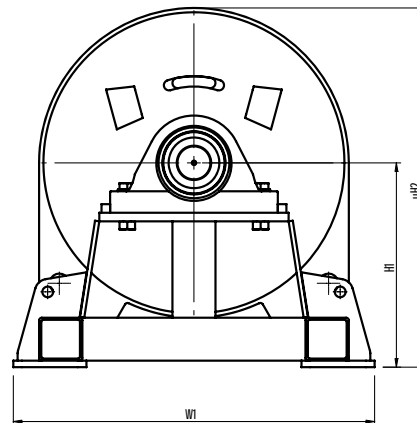
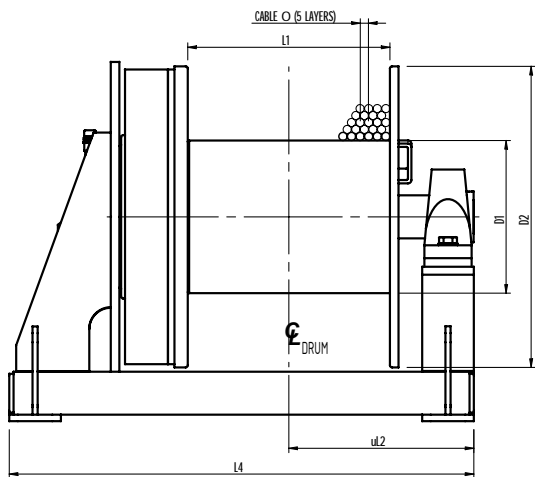
OHW / OHR SERIES OFFSHORE HYDRAULIC



RED ROOSTER LIFTING



Images for illustration purposes only



MODEL	MASS KG	D1	D2	L1	L2	L4	L5	L6	H1	H2	W1	W2	HOLE Ø
OHR 1.5	395	323	550	610	470	1120	1060	940	395	675	700	660	14
OHW 2.5	365	323	550	610	470	1120	1060	940	395	675	700	660	14
OHR 3.0	765	355	700	610	500	1220	1180	1020	470	820	840	790	19
OHW 4.5	735	355	700	610	500	1220	1180	1020	470	820	840	790	19
OHW 5.0	735	355	700	610	500	1220	1180	1020	470	820	840	790	19
OHW 6.5	940	406	750	610	535	1320	1260	1100	540	915	1000	940	22
OHW 7.0	940	406	750	610	535	1320	1260	1100	540	915	1000	940	22
OHW 8.5	1360	508	900	610	539	1370	1300	1100	625	1090	1120	1050	26
OHW 10.5	1600	609	1010	610	539	1380	1310	1110	680	1205	1220	1150	26
OHW 11.5	1600	609	1010	610	539	1380	1310	1110	680	1205	1220	1150	26
OHW 16	2450	609	1150	610	539	1600	1520	1240	720	1300	1450	1380	36
OHW 20	2600	711	1250	610	550	1600	1530	1330	800	1400	1600	1520	36

All measurements are in mm

RED ROOSTER LIFTING

Nauta House, The Meadows
Oldmeldrum, Aberdeenshire
United Kingdom, AB51 0EZ

T: +44 (0) 1651 872101
E: sales@redroosterlifting.com
W: www.redroosterlifting.com