



STANDARD FEATURES

- ▷ Heavy duty worm gearbox or planetary / worm gear combination
- ▷ IP 56 TENV cast iron 400 V AC / 3 phases / 50 Hz non-braking motor with torque knob
- ▷ Orbit type hydraulic motor
- ▷ Suitable for 10 - 28 mm DIN / Studlink chain sizes from 12.5 - 28 mm
- ▷ Free-fall clutch
- ▷ Band brake
- ▷ Horizontal cast iron warping head
- ▷ Three layer 2-component conservation according ISO 12944 category C4-High, colour RAL 5010

AVAILABLE OPTIONS

- ▷ Double executions possible for W 120 up to W 600
- ▷ Alternative supply voltages
- ▷ Full manual control by means of hand wheel
- ▷ Horizontal warping head configuration
- ▷ Remotely controlled band brakes
- ▷ Classification certificate from any recognised marine classification body
- ▷ Special marine / offshore coating systems

AVAILABLE CONTROL OPTIONS

- ▷ IP 66 control box with IP 65 pendant remote control or push-buttons built acc. to NEN 1010
- ▷ Proportional local or remote control valve

MODEL	CHAIN PULL KG	CHAIN SIZE DIN	CHAIN SIZE STUD	SPEED M/MIN	BANDBRAKE HOLDING FORCE KG	MOTOR POWER 400 V kW S2	PEAK POWER 400 V kW
W 120 E	400	10	-	10	1200	1.1	1.5
W 150 E	600	10 - 13	-	10	1500	1.5	2.2
W 250 E	750	13 - 16	14	10	2500	2.2	3
W 350 E	1200	16	16	10	3500	4	5.5
W 400 E	1200	16	16	10	4000	4	5.5
W 600 E	2000	16 - 18	16	10	6000	5.5	7.5
PW 1000 E	3600	20	19	10	10000	7.5	11
PW 1600 E	5500	22	22	10	16000	15	18.5

MODEL	CHAIN PULL KG	CHAIN SIZE DIN	CHAIN SIZE STUD	SPEED M/MIN	BANDBRAKE HOLDING FORCE	PRESSURE DROP IN BAR	FLOW IN L/MIN
W 120 H	400	10	-	10	1200	70	20
W 150 H	600	10 - 13	-	10	1500	100	20
W 250 H	750	13 - 16	14	10	2500	60	40
W 350 H	1200	16	16	10	3500	95	40
W 400 H	1200	16	16	10	4000	95	40
W 600 H	2000	16 - 18	16	10	6000	100	60
W 1000 H	3600	20	18	10	10000	95	55
W 1600 H	5500	22	22	10	16000	120	60

Information subject to change without notice

W / P / PW SERIES WINDLASSES WINCH



RED ROOSTER LIFTING

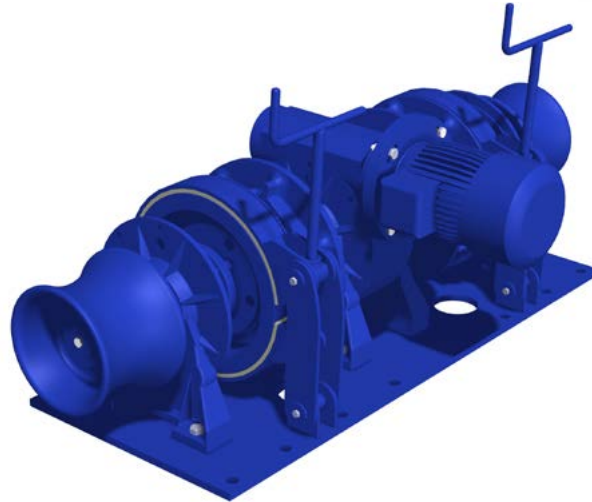
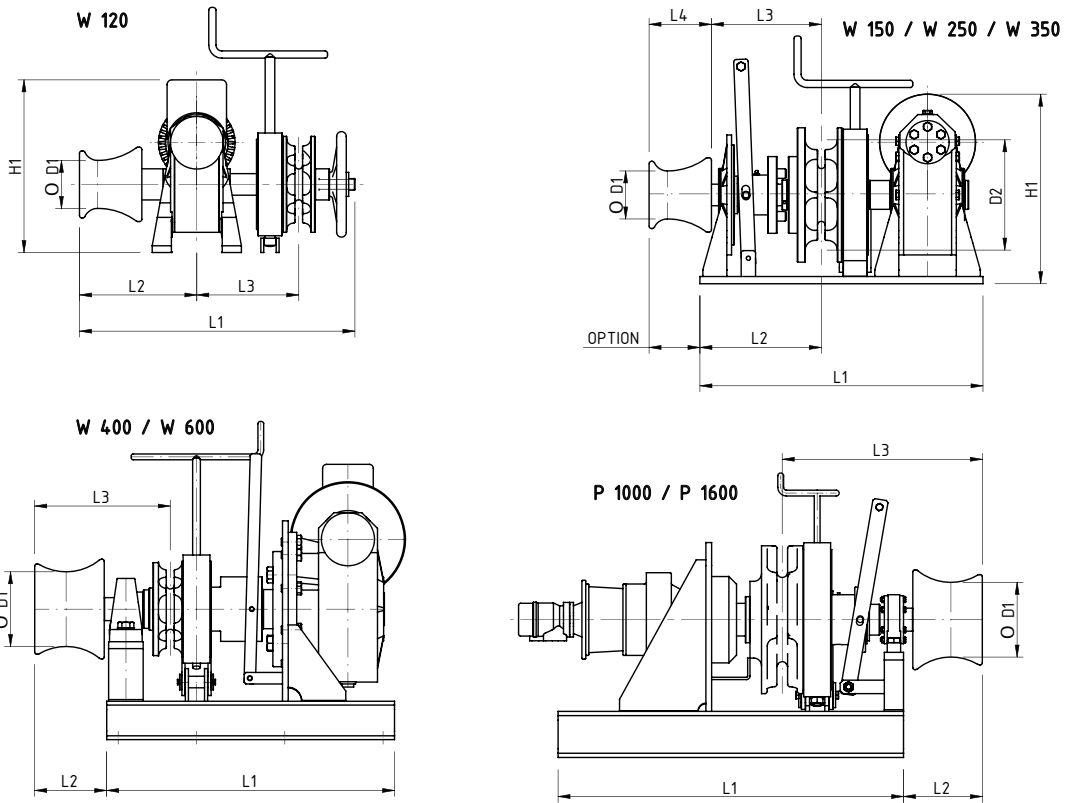


Image for illustration purposes only

MODEL	MASS KG	D1	D2	L1	L2	L3	L4	H1
W 120	63	100	180	590	255	245	130	295
W 150	140	100	180	590	250	245	130	295
W 250	170	140	190	650	290	280	130	340
W 350	260	195	255	700	305	295	181	385
W 400	240	195	-	700	180	440	-	-
W 600	500	195	-	750	180	460	-	-
P 1000	360	280	-	1300	210	560	-	-
P 1600	500	280	-	1500	210	600	-	-

All measurements are in mm

RED ROOSTER LIFTING

Nauta House, The Meadows
Oldmeldrum, Aberdeenshire
United Kingdom, AB51 0EZ

T: +44 (0) 1651 872101
E: sales@redroosterlifting.com
W: www.redroosterlifting.com