

H WINCH SERIES HYDRAULIC WORMGEAR



RED ROOSTER LIFTING

STANDARD FEATURES

- ▷ Wormgear transmission
- ▷ Orbitmotor
- ▷ Steel drum (not grooved) with cable fixing point at flange
- ▷ Single drum support (H 500)
- ▷ Two drum supports (all other models)
- ▷ Double layer 2-component conservation according ISO 12944 category C2-Low, colour RAL 5010
- ▷ Brake and double acting brake valve (not on H 500 and H 700)
- ▷ FEM / ISO class T3-L2-M3

AVAILABLE OPTIONS

- ▷ Manual disengaging clutch
- ▷ Band brakes, manual or automatic fail safe
- ▷ Grooved drum
- ▷ Drum pressure roller
- ▷ Alternative speeds
- ▷ Alternative drum dimensions / split drums / additional rope anchors / etc.
- ▷ Drum guards
- ▷ Emergency cranking
- ▷ Marine / offshore coating systems

AVAILABLE CONTROL OPTIONS

- ▷ Proportional control valves
- ▷ Hydraulic power packs

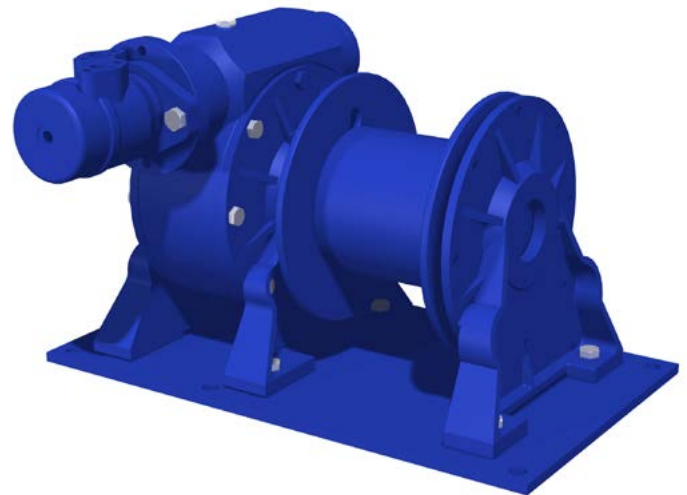


Image for illustration purposes only

MODEL	WLL 1st LAYER KG	WLL 3rd LAYER KG	RECOMMENDED ROPE DIA MM	SPEED 1st LAYER M/MIN	DRUMCAP 1st LAYER M	DRUMCAP 3rd LAYER M	PRESSURE DROP IN BAR	FLOW IN L/MIN
H 500	500	400	6	6.5	2	10	50	20
H 700	700	540	8	6.5	5	20	60	20
H 1200	1200	940	9	9	5	21	95	50
H 2000	2000	1560	12	10	8	28	105	60
H 2500	2500	1965	13	11	9	36	130	60
H 3150	3150	2455	16	8	11	41	140	60

Information subject to change without notice

RED ROOSTER LIFTING

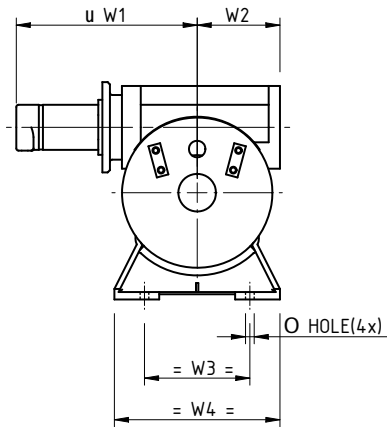
Nauta House, The Meadows
Oldmeldrum, Aberdeenshire
United Kingdom, AB51 0EZ

T: +44 (0) 1651 872101
E: sales@redroosterlifting.com
W: www.redroosterlifting.com

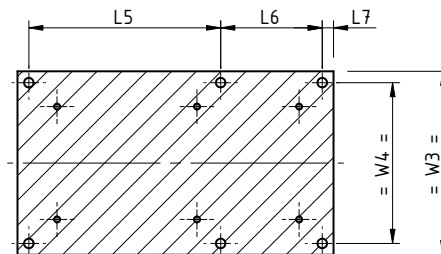
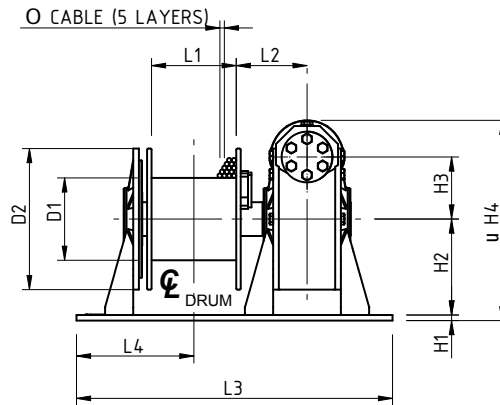
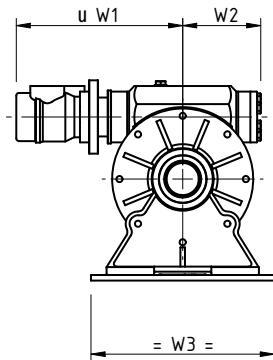
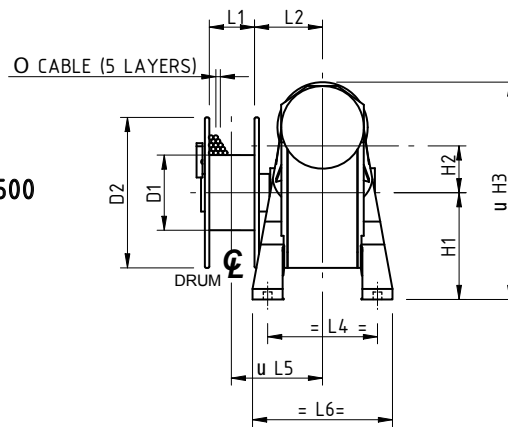
H WINCH SERIES HYDRAULIC WORMGEAR



RED ROOSTER LIFTING



H 500



FOOTPRINT

- TOP VIEW -

O HOLE (6x)

MODEL	MASS KG	D1	D2	L1	L2	L3	L4	L5	L6	L7	H1	H2	H3	H4	W1	W2	W3	W4	HOLE Ø
H 500	35	100	200	60	91	-	146	121	186	-	142	87	289	-	253	110	140	220	11.5
H 700	50	100	200	150	104	500	187	320	150	15	10	142	87	309	253	110	270	240	13
H 1200	82	121	250	150	125.5	560	203	340	180	20	10	170	110	354	400	140	325	285	17
H 2000	134	159	280	200	146.5	640	232	415	185	20	15	195	130	440	456	154	370	320	17
H 2500	170	178	320	250	155	710	280	470	200	20	15	220	150	510	467	180	410	360	17
H 3150	225	210	370	300	180	850	318	565	235	25	15	254	182	572	498	207	440	380	20

All measurements are in mm

RED ROOSTER LIFTING

Nauta House, The Meadows
Oldmeldrum, Aberdeenshire
United Kingdom, AB51 0EZ

T: +44 (0) 1651 872101
E: sales@redroosterlifting.com
W: www.redroosterlifting.com