

# SH WINCH SERIES HYDRAULIC PLANETARY



# RED ROOSTER LIFTING

## STANDARD FEATURES

- ▷ Planetary transmission
- ▷ Orbit motor
- ▷ Steel drum (not grooved) with cable fixing point at flange
- ▷ Two drum supports
- ▷ Single layer of primer only, colour black
- ▷ Brake and single acting brake valve

## AVAILABLE CONTROL OPTIONS

- ▷ Proportional control valves
- ▷ Hydraulic power packs
- ▷ Electric lower limit switch
- ▷ Load limiter

## AVAILABLE OPTIONS

- ▷ Grooved drum
- ▷ Drum pressure roller
- ▷ Drum guards
- ▷ Marine / offshore coating systems

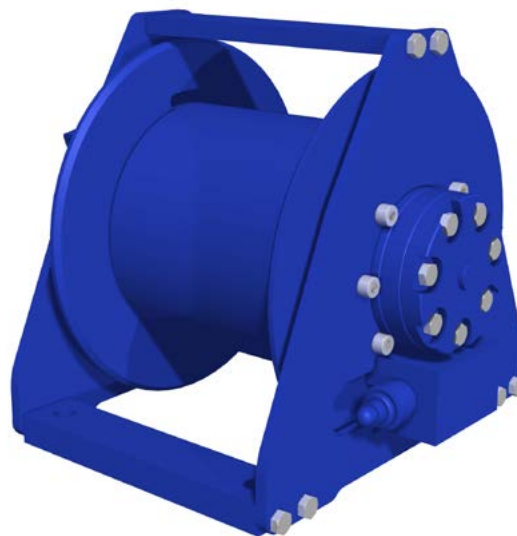


Image for illustration purposes only

MODEL HYDRAULIC	WLL 1st LAYER KG	WLL TOP LAYER KG	RECOMMENDED ROPE DIA MM	SPEED 1st LAYER M/MIN	DRUMCAP 1st LAYER M	DRUMCAP ALL LAYERS M	PRESSURE DROP IN BAR	FLOW IN L/MIN	MAIN PORTS BSP	DRAIN PORTS BSP
SH 08	800	610	7	38	13	74 (5)	165	30	3/8"	-
SH 10	1000	790	8	38	11	50 (4)	175	40	3/8"	-
SH 15	1500	1190	9	43	13	59 (4)	190	50	1/2"	1/4"
SH 20	2000	1560	10	34	11	53 (4)	200	50	1/2"	1/4"
SH 25	2500	1950	12	29	12	54 (4)	205	50	1/2"	1/4"
SH 34	3400	2680	14	47	15	72 (4)	205	100	3/4"	1/4"
SH 47	4700	3410	16	36	20	120 (5)	220	100	3/4"	1/4"
SH 57	5700	4410	18	27	22	101 (4)	205	100	3/4"	1/4"
SH 60	6000	4680	18	29	22	99 (4)	200	120	3/4"	1/4"
SH 70	7000	5460	20	25	23	108 (4)	200	120	3/4"	1/4"
SH 85	8500	6670	20	19	28	128 (5)	195	120	1"	1/4"
SH 100	10000	7690	24	17	26	121 (4)	205	120	1"	1/4"

Information subject to change without notice

## RED ROOSTER LIFTING

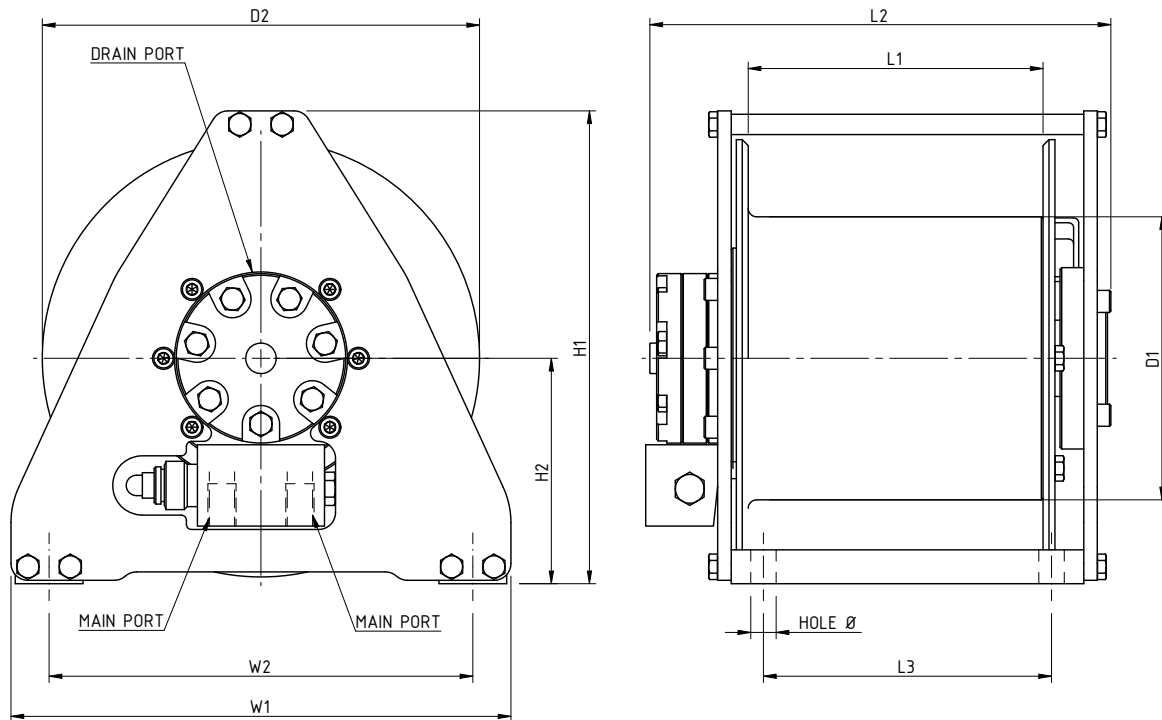
Nauta House, The Meadows  
Oldmeldrum, Aberdeenshire  
United Kingdom, AB51 0EZ

T: +44 (0) 1651 872101  
E: sales@redroosterlifting.com  
W: www.redroosterlifting.com

# SH WINCH SERIES HYDRAULIC PLANETARY



# RED ROOSTER LIFTING



MODEL	MASS KG	D1	D2	L1	L2	L3	W1	W2	H1	H2	HOLE Ø
SH 08	40	167	258	174	275	170	295	250	279	133	15
SH 10	41	167	258	174	275	170	295	250	279	133	15
SH 15	71	202	312	187	319	170	315	250	348	175	15
SH 20	71	202	312	187	325	170	315	250	348	175	15
SH 25	95	243	376	191	352	190	405	350	403	195	17
SH 34	167	296	454	242	432	250	426	350	498	245	17
SH 47	258	322	530	321	510	330	610	530	566	271	25
SH 57	296	353	570	360	570	375	630	550	612	292	25
SH 60	350	366	580	360	751	360	-	530	630	295	23
SH 70	415	404	610	378	780	380	640	550	6920	315	23
SH 85	430	418	640	430	851	435	694	590	665	345	23
SH 100	700	455	720	444	1008	470	788	670	745	385	23

All measurements are in mm

## RED ROOSTER LIFTING

Nauta House, The Meadows  
Oldmeldrum, Aberdeenshire  
United Kingdom, AB51 0EZ

T: +44 (0) 1651 872101  
E: sales@redroosterlifting.com  
W: www.redroosterlifting.com