



STANDARD FEATURES

- ▷ Self-braking wormgear transmission for the AW series
- ▷ Planetary gear for PW 550
- ▷ SOLAS compliance
- ▷ IP 56 TENV motor protection for the AW ES series
- ▷ IP 66 TENV with standstill heating for the PW 550
- ▷ Rotary vane, gear type air or motor for the AW LS series
- ▷ Steel drum (not grooved) with one or two cable fixing point(s) at flange
- ▷ Two drum supports
- ▷ Emergency hand crank for the AW series only
- ▷ Double layer 2-component conservation, colour RAL 5010
- ▷ 13 meter pilot ladder with 32 flat steps, 4 spreaders and 4 rubber steps for PW 550
- ▷ Pneumatic versions with hand control valve
- ▷ IP 66 spindle limit switch for PW 550
- ▷ FEM / ISO class: T3-L3-M4

AVAILABLE OPTIONS

- ▷ Band brake, manual or automatic fail-safe for the AW series
- ▷ Increased motor protection IP 68 TENV for the AW series
- ▷ Alternative supply voltages
- ▷ Grooved drum for AW series only
- ▷ Drum pressure roller for AW series only
- ▷ Alternative speeds
- ▷ Alternative drum dimensions / split drums /additional rope anchors / etc.
- ▷ Drum guard for AW series only
- ▷ Marine / offshore coating systems
- ▷ Class witness certificates

AVAILABLE CONTROL OPTIONS

- ▷ Electric or pneumatic control systems
- ▷ Limit switches
- ▷ Load limiters

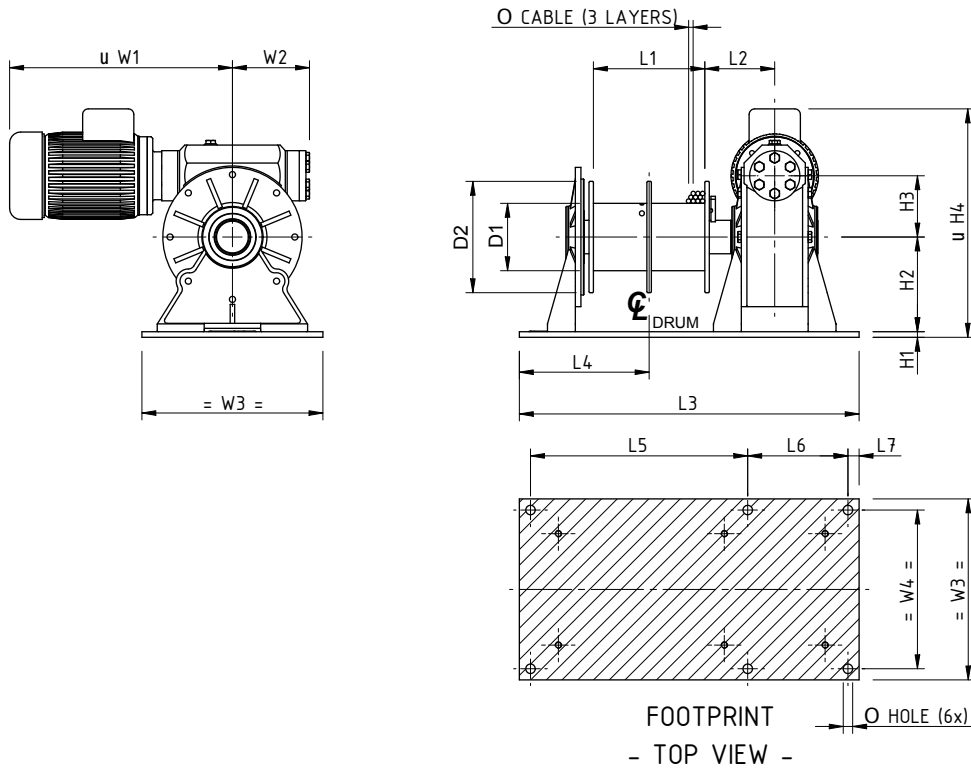
MODEL	WLL KG	HOLDING FORCE KG	RECOMMENDED ROPE DIA MM	SPEED 1st LAYER M/MIN	DRUMCAP 3rd LAYER M	MOTOR POWER 400 VAC kW	PRESSURE DROP BAR	FLOW IN L/SEC
AW 500 ES	500 2 x 250	1500 1500	8 6	6 6	30 20 x 18	1.5 1.5	- -	- -
AW 1000 ES	1000 2 x 500	3000 3000	10 8	7.5 7.5	40 2 x 23	3 3	- -	- -
AW 1500 ES	1500 2 x 750	4000 4000	12 10	9.5 9.5	50 2 x 27	5.5 5.5	- -	- -
AW 500 LS	500 2 x 250	1500 1500	8 6	6 6	30 2 x 18	- -	6 6	60 60
AW 1000 LS	1000 2 x 500	3000 3000	10 8	6.5 6.5	40 2 x 23	- -	6 6	100 100
AW 1500 LS	1500 2 x 750	4000 4000	12 10	7.5 7.5	50 2 x 27	- -	6 6	130 130
PW 550 E	550	2000	-	12	13m ladder	1.1	-	-

Information subject to change without notice

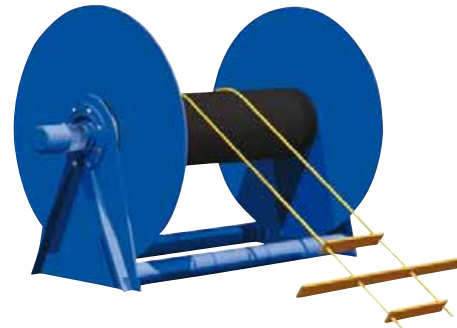
AW / PW WINCH SERIES ACCOMODATION LADDER



RED ROOSTER LIFTING



AW 500-1500



PW 550

Images for illustration purposes only

MODEL	MASS KG	D1	D2	L1	L2	L3	L4	L5	L6	L7	H1	H2	H3	H4	W1	W2	W3	W4	HOLE Ø
AW 500	85	121	250	200	125.5	610	228	390	180	20	10	170	110	410	400	140	325	285	17
AW 1000	195	159	320	250	155	710	260	470	200	20	15	220	150	522	519	154	410	360	17
AW 1500	275	195	370	300	180	850	318	565	235	25	15	254	182	570.5	546	207	440	380	20
PW 550	1600	508	1700	1900	218	2440	1193	2552	-	-	-	1080	-	1930	650	250	-	-	-

All measurements are in mm

RED ROOSTER LIFTING

Nauta House, The Meadows
Oldmeldrum, Aberdeenshire
United Kingdom, AB51 0EZ

T: +44 (0) 1651 872101
E: sales@redroosterlifting.com
W: www.redroosterlifting.com