

# A AND F SERIES PNEUMATIC WINCHES



# RED ROOSTER LIFTING

## STANDARD FEATURES

- ▷ High efficiency transmission
- ▷ A series: right angle helical gearbox
- ▷ F series: in line helical gearbox
- ▷ A/F LV: Rotary vane motor
- ▷ A/F GP: Contact less maintenance free gear motor
- ▷ Steel drum (not grooved) with cable fixing point at flange
- ▷ Two drum supports
- ▷ Three layer 2-component conservation according ISO 12944 category C4-High, colour RAL 1023
- ▷ Automatic disc brake
- ▷ Lever operated proportional control valve
- ▷ FEM / ISO class: T3-L3-M4

## AVAILABLE OPTIONS

- ▷ Offshore three layer 2 component conservation
- ▷ Alternative drum lengths
- ▷ Drum pressure rollers
- ▷ Band brakes (manual or automatic failsafe)
- ▷ Manual disengaging clutches
- ▷ Drum guards
- ▷ Drum dividers
- ▷ Spooling gears
- ▷ Grooved drums

## AVAILABLE CONTROL OPTIONS

- ▷ Emergency main shut off valves
- ▷ Load limiters
- ▷ Limit switches (pneumatic)
- ▷ Slack wire switches (pneumatic)
- ▷ Proportional remote control valve
- ▷ Air service units

MODEL PNEUMATIC	WLL 1st LAYER KG	WLL 5th LAYER KG	AVERAGE SPEED* M/MIN	MAXIMUM SPEED** M/MIN	RECOMMENDED ROPE DIA MM	DRUMCAP 1st LAYER M	DRUMCAP 5th LAYER M	PRESSURE DROP IN BAR	FLOW IN L/SEC
A 20 LV	500	345	25	33	6	7	48	6.5	65
A 20 GP2	500	345	25	38	6	7	48	7	65
A 30 LV	650	435	21	27	8	6	44	6.5	65
A 30 GP2	650	435	21	32	8	6	44	7	65
A 35 LV	900	600	15	19	8	6	44	6.5	65
A 35 GP2	900	600	15	23	8	6	44	7	65
A 41 LV	1200	820	11	14	9	10	62	6.5	65
A 41 GP2	1200	820	11	17	9	10	62	7	65
A 50 LV	1800	1205	8	10	11	10	74	6.5	65
A 50 GP2	1800	1205	8	12	11	10	74	7	65
A 55 LV	2200	1460	11	15	12	9	72	6.5	90
A 55 GP4	2200	1460	14	14	12	9	72	7	100
A 60 LV	2700	1800	9	12	14	17	117	6.5	90
A 60 GP4	2700	1800	11	11	14	17	117	7	100

MODEL PNEUMATIC	WLL 1st LAYER KG	WLL TOP LAYER KG	AVERAGE SPEED* M/MIN	MAXIMUM SPEED** M/MIN	RECOMMENDED ROPE DIA MM	DRUMCAP 1st LAYER M	DRUMCAP TOP LAYER M	PRESSURE DROP IN BAR	FLOW IN L/SEC
F 20 LV	500	345 (5)	25	33	6	12	80 (5)	6.5	65
F 20 GP2	500	345 (5)	25	38	6	12	80 (5)	7	65
F 25 LV	650	435 (5)	21	27	8	10	74 (5)	6.5	65
F 25 GP2	650	435 (5)	21	32	8	10	74 (5)	7	65
F 31 LV	900	600 (5)	15	19	8	10	74 (5)	6.5	65
F 31 GP2	900	600 (5)	15	23	8	10	74 (5)	7	65
F 41 LV	1350	1000 (4)	9	13	10	13	70 (4)	6.5	65
F 41 GP2	1350	1000 (4)	9	16	10	13	70 (4)	7	65
F 51 LV	2000	1450 (4)	12	15	12	17	88 (4)	6.5	90
F 51 GP4	2000	1450 (4)	12	15	12	17	88 (4)	7	100
F 60 LV	2700	1965 (4)	9	12	14	22	111 (4)	6.5	90
F 60 GP4	2700	1965 (4)	9	11	14	22	111 (4)	7	100

Information subject to change without notice.

\* Average speed is based on the speed in the middle layer at 75% of WLL.

\*\* Maximum speed is based on the speed in the top layer at unloaded conditions.

## RED ROOSTER LIFTING

Nauta House, The Meadows  
Oldmeldrum, Aberdeenshire  
United Kingdom, AB51 0EZ

T: +44 (0) 1651 872101

E: sales@redroosterlifting.com

W: www.redroosterlifting.com

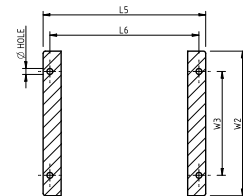
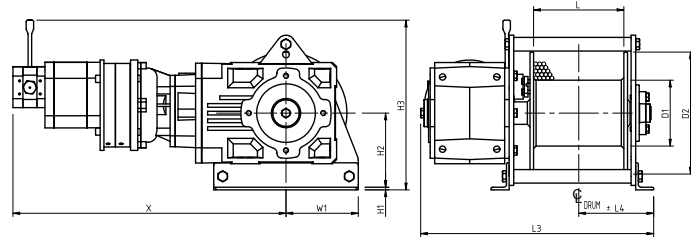
# A AND F SERIES PNEUMATIC WINCHES



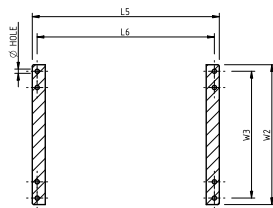
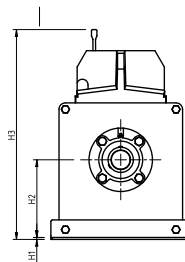
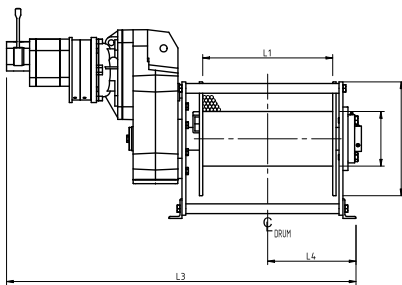
# RED ROOSTER LIFTING



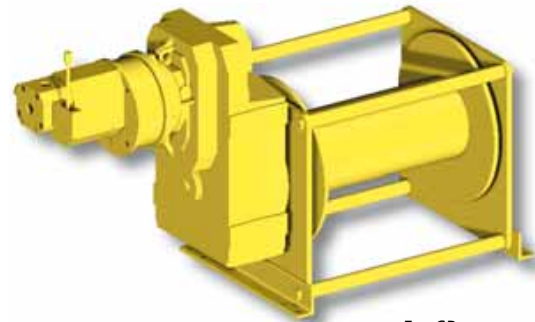
A 41 GP2



FOOTPRINT - TOP VIEW-



FOOTPRINT -TOP VIEW-



F 51 GP4

Images for illustration purposes only

MODEL	MASS KG	D1	D2	L1	L2	L3	L4	L5	L6	H1	H2	H3	W1	W2	W3	HOLE Ø	X (LV)	X (GP)
A 20	60	100	175	150	103	430	139	305	275	6	164	342	160	320	230	13 (4x)	545	505
A 30	75	121	225	150	129	445	141	310	280	6	164	342	160	320	230	13 (4x)	535	525
A 35	90	121	225	150	134	455	141	310	280	6	164	342	160	320	230	13 (4x)	570	530
A 41	115	146	270	200	141	516	166	360	330	6	164	342	160	320	230	13 (4x)	645	605
A 50	190	168	350	250	168	620	198	425	395	6	239	420	215	430	390	13 (8x)	705	665
A 55	220	178	350	250	168	645	198	425	395	6	239	420	215	430	390	13 (8x)	795	705
A 60	255	210	390	400	180	790	270	575	545	6	239	440	235	470	430	13 (8x)	805	715

MODEL	MASS KG	D1	D2	L1	L2	L3 (LV)	L3 (GP)	L4	L5	L6	H1	H2	H3 (LV)	H3 (GP)	W2	W3	HOLE Ø
F 20	65	100	175	250	405	885	845	189	405	375	6	164	540	440	320	230	13 (4x)
F 25	80	121	225	250	410	905	865	191	410	380	6	164	545	445	320	230	13 (4x)
F 31	95	121	225	250	410	915	875	191	410	380	6	164	565	465	320	230	13 (4x)
F 41	125	159	270	300	460	985	945	216	460	430	6	164	590	490	320	230	13 (4x)
F 50	220	178	350	400	575	1125	1085	273	575	545	6	239	700	600	430	390	13 (8x)
F 60	290	210	390	500	675	1255	1215	320	675	645	6	239	760	660	470	430	13 (8x)

All measurements are in mm

## RED ROOSTER LIFTING

Nauta House, The Meadows  
Oldmeldrum, Aberdeenshire  
United Kingdom, AB51 0EZ

T: +44 (0) 1651 872101  
E: sales@redroosterlifting.com  
W: www.redroosterlifting.com